

3-ways Diverter Valves

Technical specification

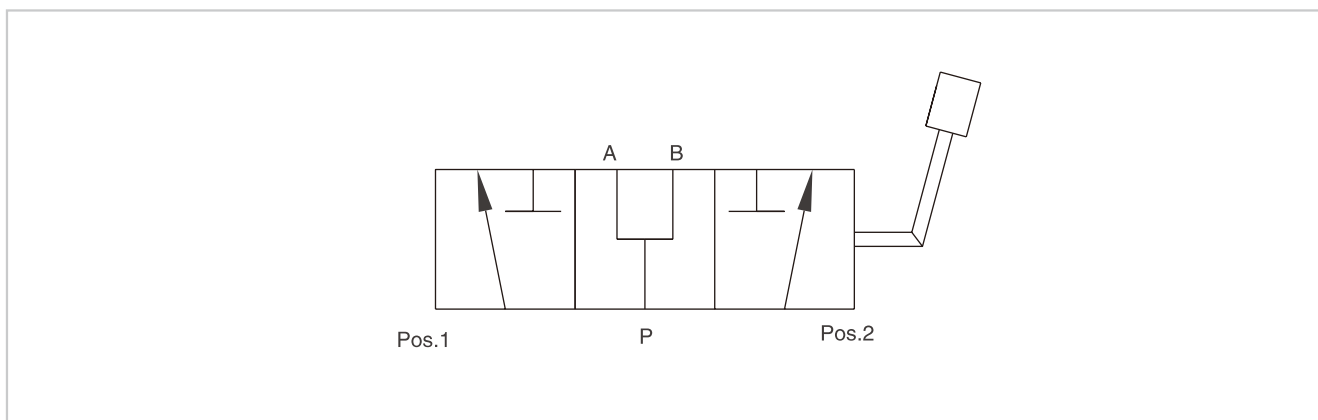


Specification	3/8"	1/2"	3/4"	1"
Max.flow (L/min)	35	60	100	180
Max pressure (Bar)	250			

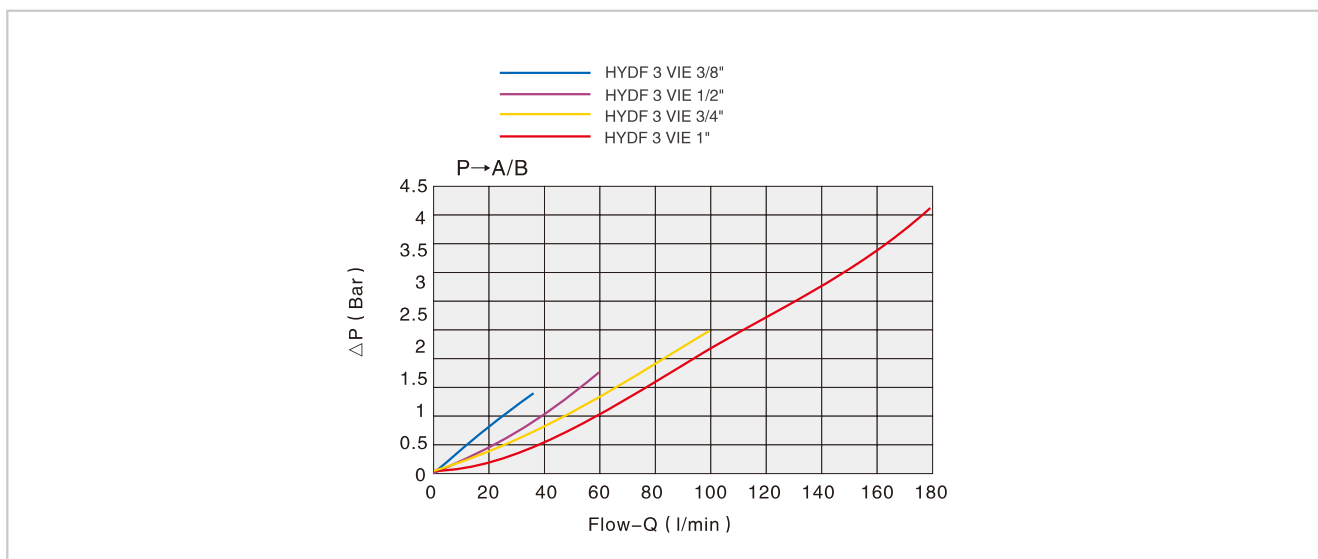
Use and operation:
3 ways diverter valves is used to divert the flow towards 2 different outlets.

Applications:
Connect P to the pressure flow, A and P to the ports of the hydraulic circuit where flow has to be diverted. With lever in position 1 the flow is connected towards port A; with lever in position 2, the flow is connected towards port B. With lever in central position ports P, A and B are all connected (open centre).

Code symbol

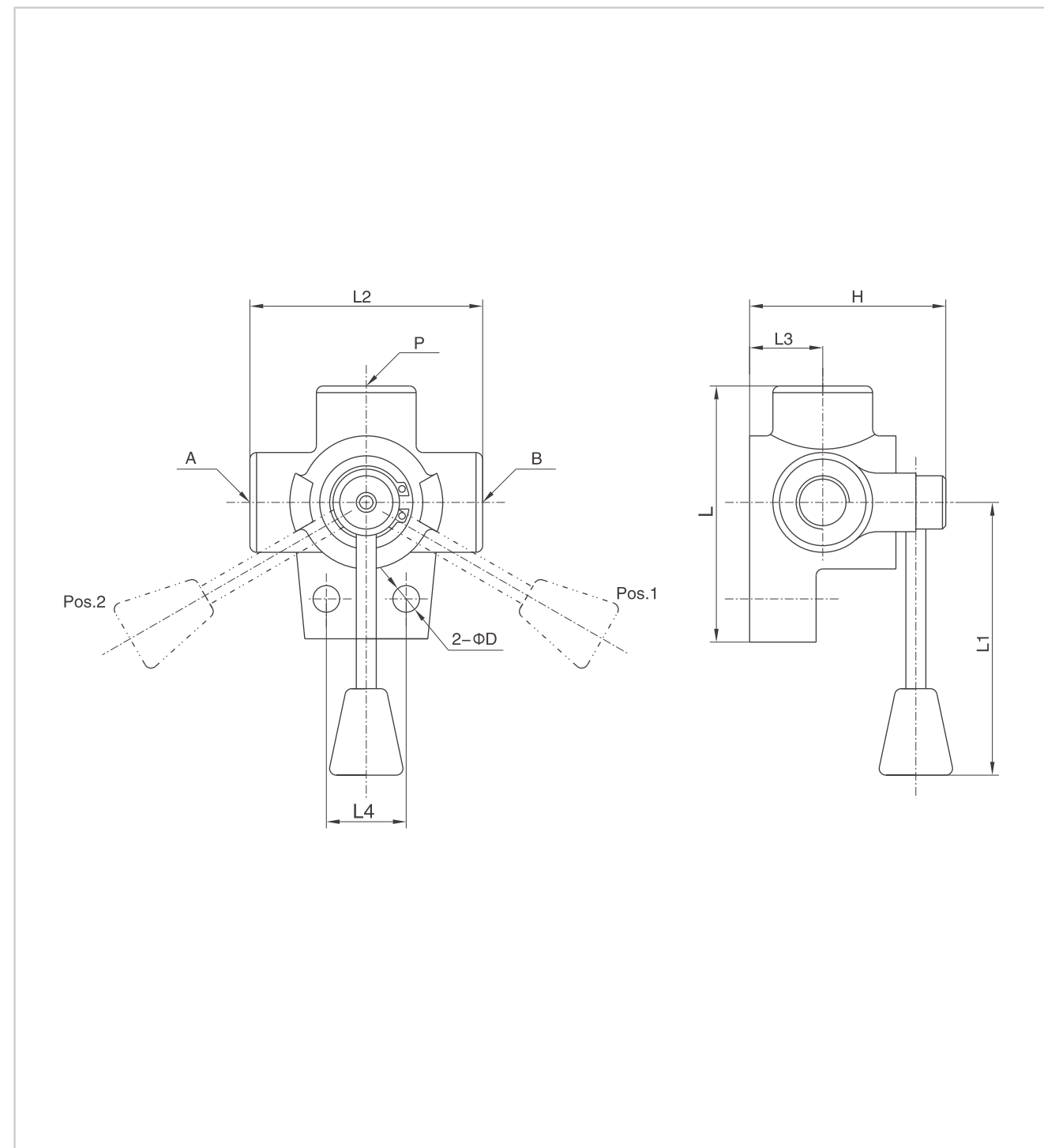


Pressure drops curve



3-ways Diverter Valves

External dimensions



Type	A/B/P	L	L1	L2	L3	L4	D	H
HYDF 3 VIE 3/8"	G 3/8"	76	140	68	25	26	8.5	67
HYDF 3 VIE 1/2"	G 1/2"	87	145	80	28	32	8.5	70
HYDF 3 VIE 3/4"	G 3/4"	103	150	94	30	32	11	78
HYDF 3 VIE 1"	G 1"	105	152	98	30	32	11	82