

4-ways Diverter Valves

Technical specification



Specification	3/8"	1/2"	3/4"
Max.flow (L/min)	35	60	100
Max pressure (Bar)	250		

Use and operation:

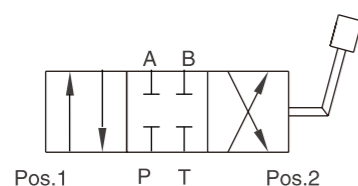
This valve is used to reverse oil flow from 2 ways in towards two ways out. It could be used to control a double acting actuators or to reverse the rotation of an hydraulic motor.

Applications:

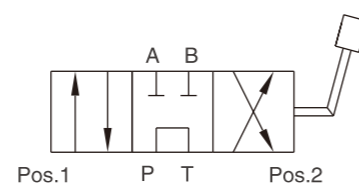
Connect P to the pressure flow, T to the tank and ports A and B to the actuators or motor. With lever in position 1, P is connected to A and at the same time B drains into the tank T; with lever in position 2, P is connected to B and at the same time A drains into tank T. With lever in central position all ports are closed (closed centre).

Code symbol

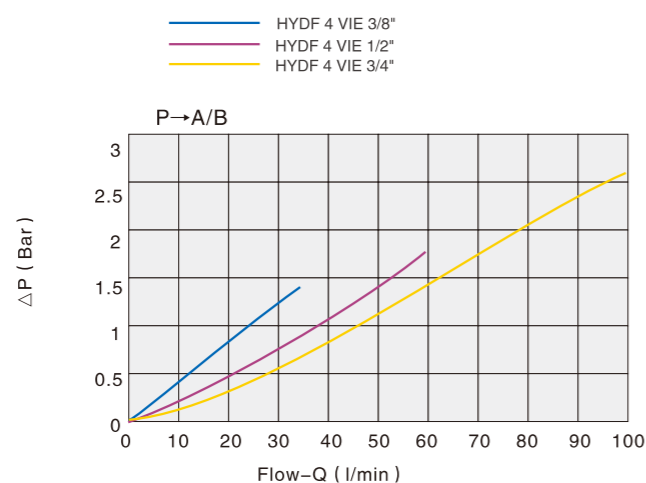
Hydraulic diagram (with closed center)



On/request (with opened center)

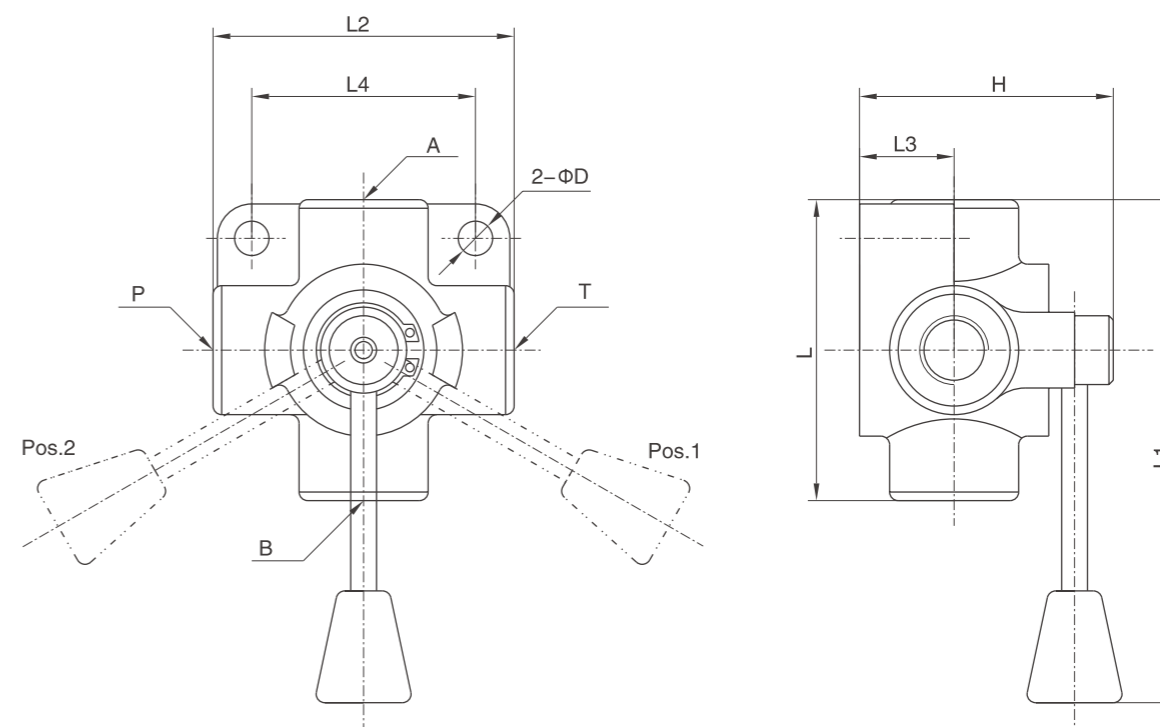


Pressure drops curve



4-ways Diverter Valves

External dimensions



Type	A/B/P	L	L1	L2	L3	L4	D	H
HYDF 4 VIE 3/8"	G 3/8"	76	140	76	26	54	8.5	72
HYDF 4 VIE 1/2"	G 1/2"	88	145	88	30	65	8.5	82
HYDF 4 VIE 3/4"	G 3/4"	95	180	95	32	74	8.5	90