

6-ways Diverter Valves, Steel Body

Technical specification

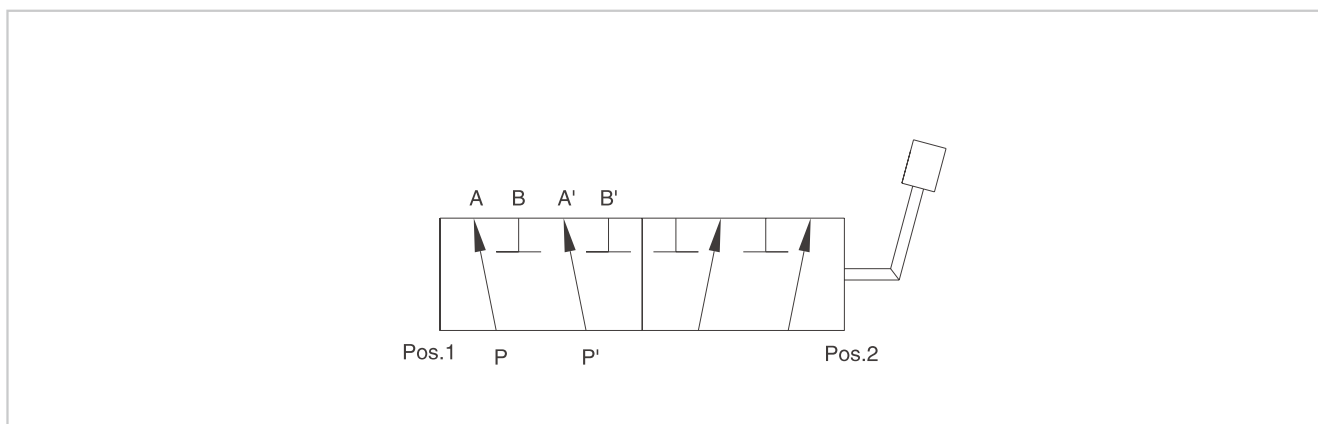


Specification	3/8"	1/2"
Max.flow (L/min)	35	60
Max pressure (Bar)	300	

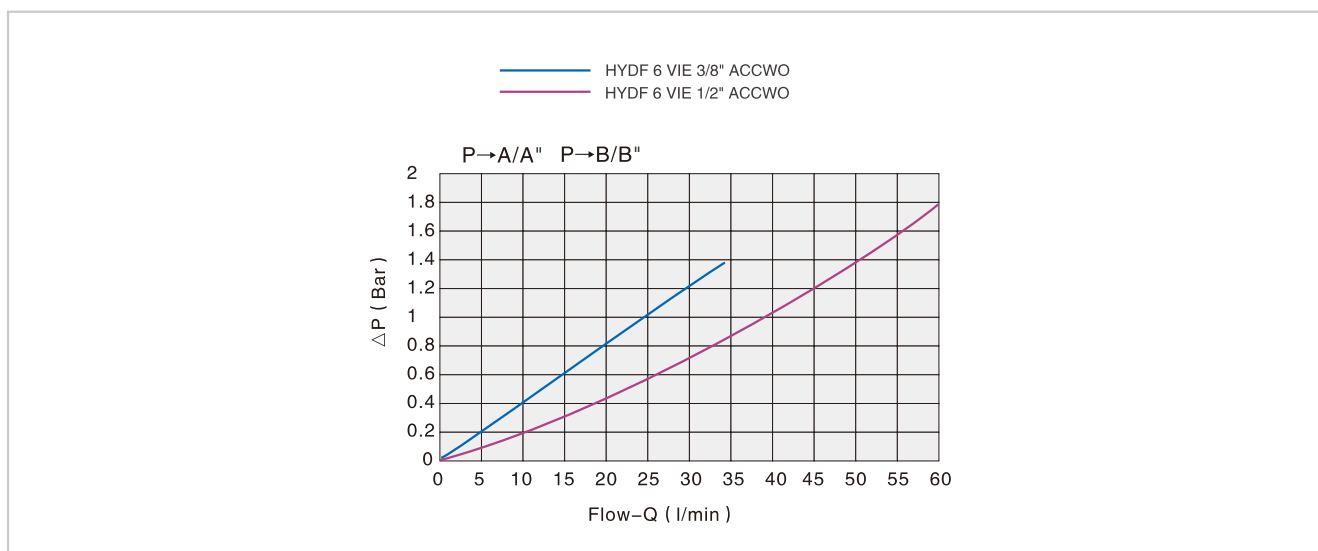
Use and operation:
This valve is used to divert the flow from 2 ways in towards 4 ports (two at time alternatively). It's ideal to control 2 actuators.

Applications:
Connect P and P' to the 2 pressure flows, ports A and B to the first actuator and ports A' and B' to the second actuator. With lever in position 1, P is connected to A and P' to A'; with lever in position 2, P is connected to B and P' to B'. Use with lever in central position is not recommended.

Code symbol

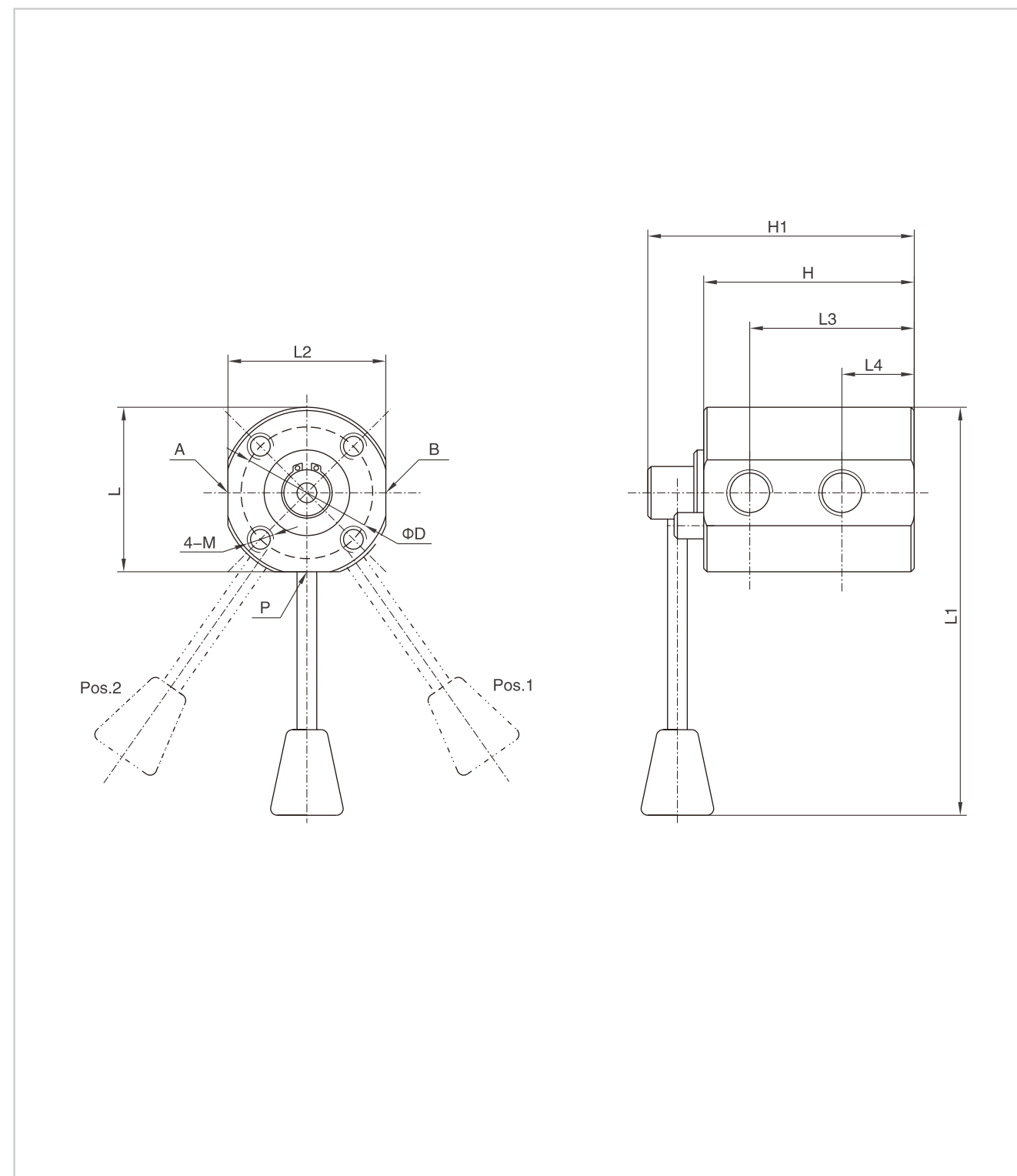


Pressure drops curve



6-ways Diverter Valves, Steel Body

External dimensions



Type	A/B/P	L	L1	L2	L3	L4	M	D	H	H1
HYDF 6 VIE 3/8" ACCWO	G 3/8"	60	140	58	57	25	M8	47	74	96
HYDF 6 VIE 1/2" ACCWO	G 1/2"	69	145	66	64	27	M8	47	83	105