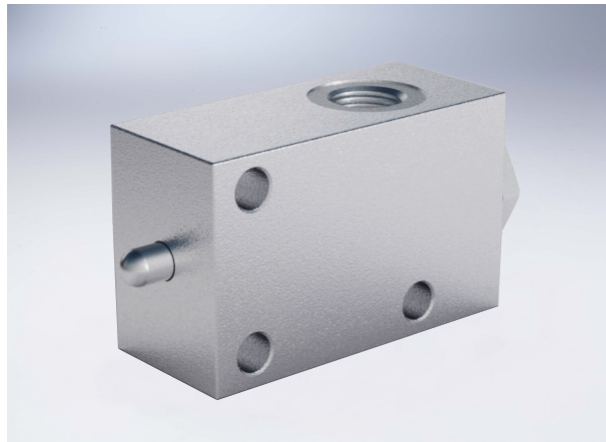


Pushbutton End Stroke Valves, Normally Closed

Technical specification



Specification	3/8"	1/2"	3/4"
Max.flow (L/min)	40	40	100
Max pressure (Bar)	350		

Use and operation:

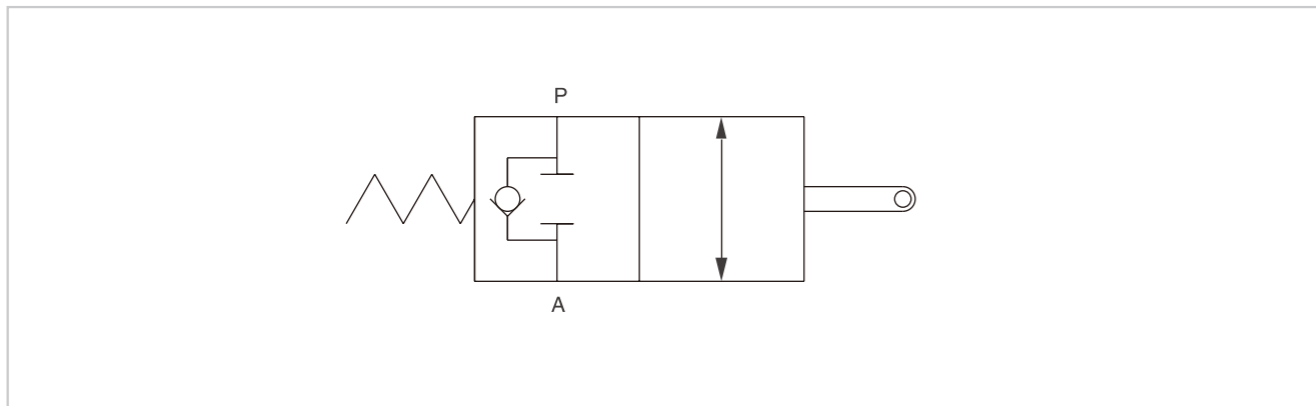
This valve allows oil passage in a hydraulic circuit (normally closed valve). Once the slider is set into action, oil flow is free from P to A. It can be used:

- a) to set the sequence of 2 actuators;
- b) as end strokes valve, where flow is directly connected to the tank.

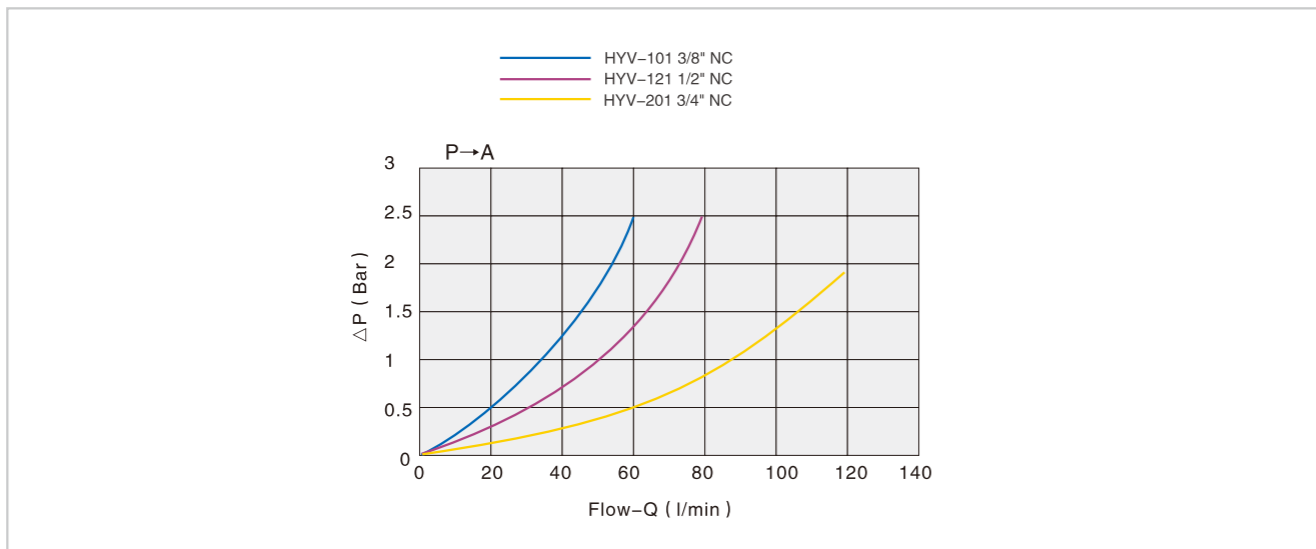
Applications:

Connect A directly to the tank and P as for necessity. Mounting scheme can vary according to the use.

Code symbol

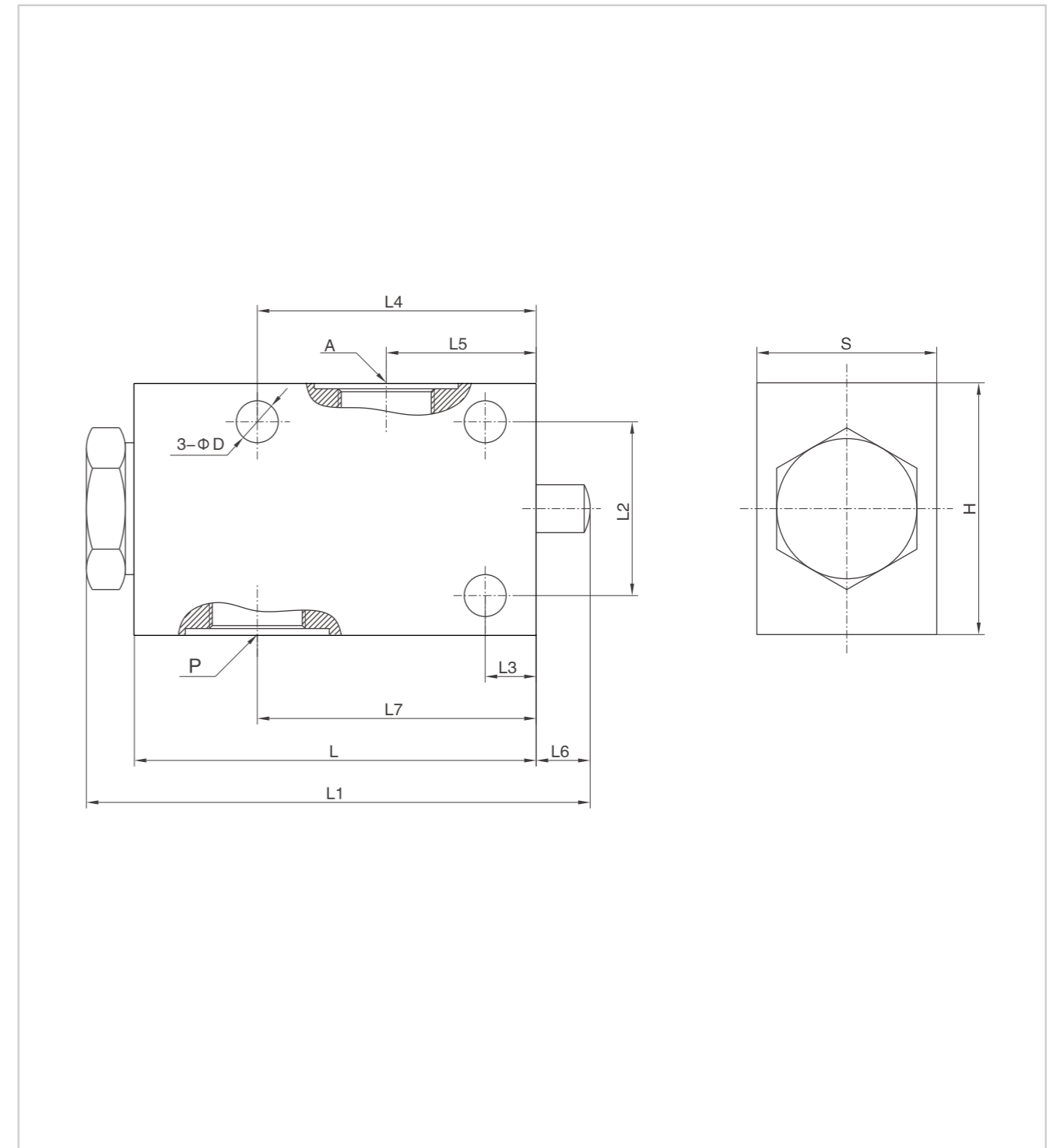


Pressure drops curve



Pushbutton End Stroke Valves, Normally Closed

External dimensions



Type	A/P	L	L1	L2	L3	L4	L5	L6	L7	D	H	S
HYV-101 3/8" NC	G 3/8"	80	95	35	10	55	30	9	55	8.5	50	35
HYV-101 1/2" NC	G 1/2"	80	95	35	10	55	30	9	55	8.5	50	35
HYV-201 3/4" NC	G 3/4"	80	115	50	20	68	23	14	61	8.5	70	45