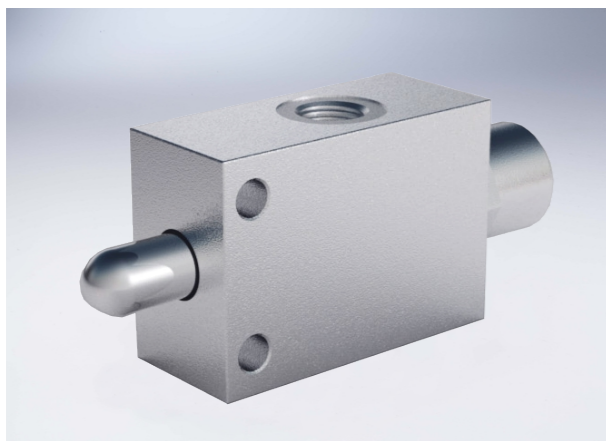


Pushbutton End Stroke Valves, Normally Opened

Technical specification

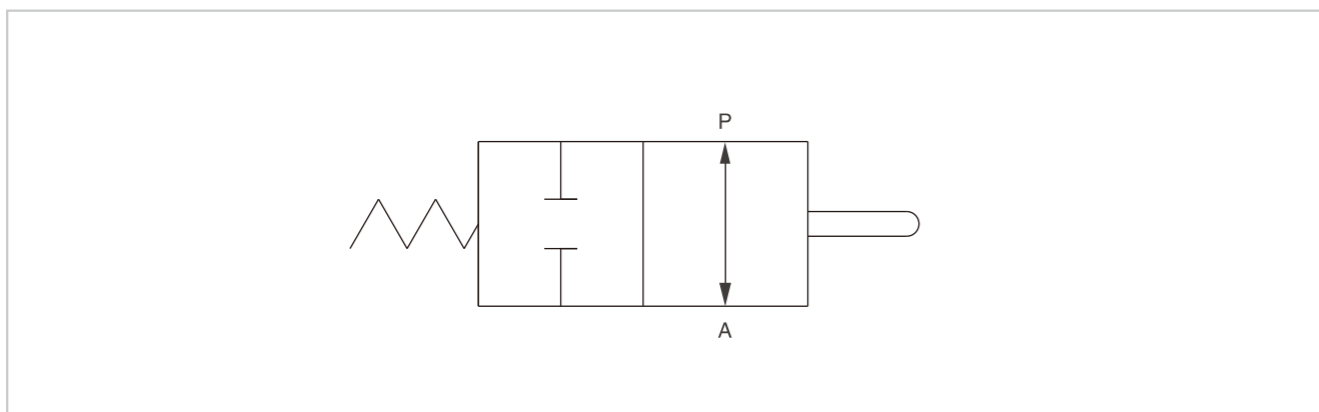


Specification	3/8"NA	1/2"NA
Max.flow (L/min)	35	50
Max pressure (Bar)	350	

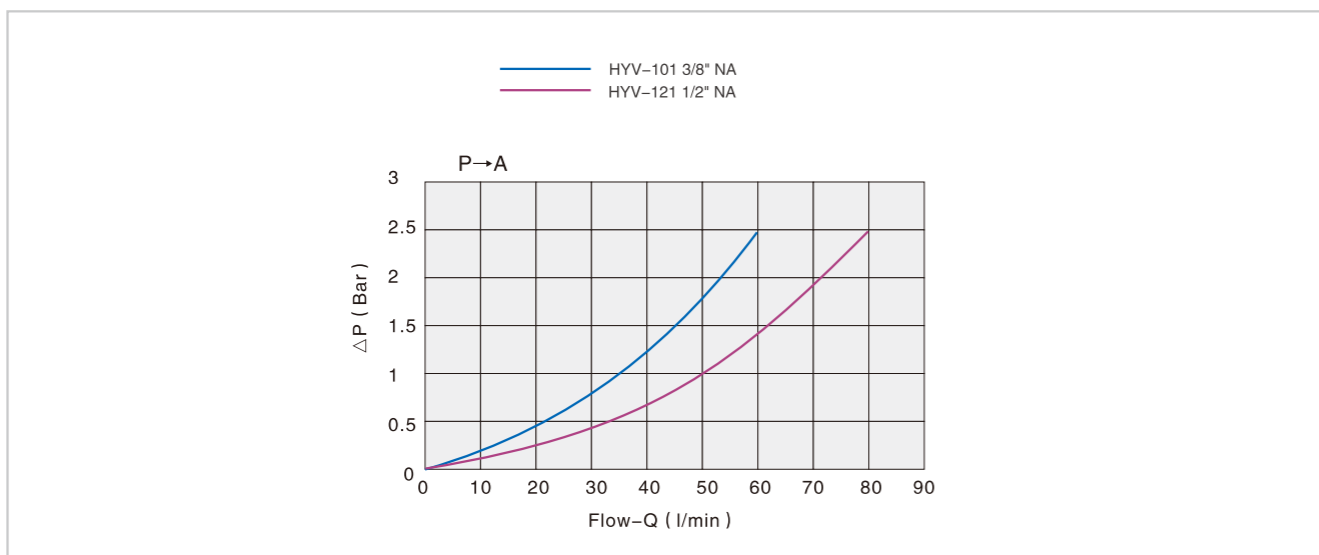
Use and operation:
This valve is used to block oil passage in a hydraulic circuit (normally opened valve). The valve closes by pushing mechanically the slider.

Applications:
Connect independently A or P to the distributor and to the circuit. When slider is operating flow is blocked in both direction, vice versa it is free.

Code symbol

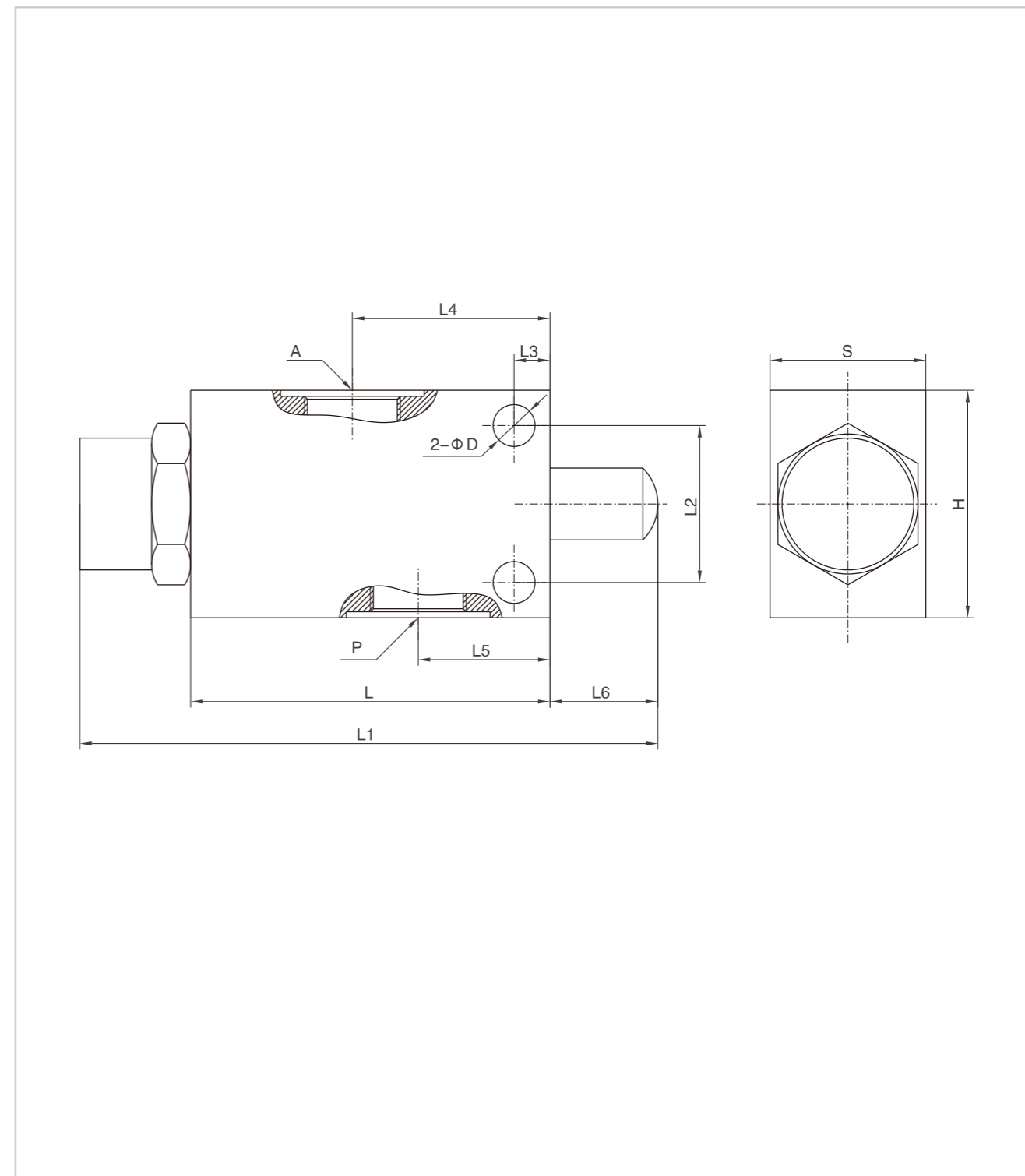


Pressure drops curve



Pushbutton End Stroke Valves, Normally Opened

External dimensions



Type	A/P	L	L1	L2	L3	L4	L5	L6	D	H	S
HYV-101 3/8" NA	G 3/8"	80	129	35	8	45	30	24	8.5	56	35
HYV-121 1/2" NA	G 1/2"	80	129	35	8	45	30	24	8.5	62	35