

Double Acting Plough Overturning Valves

Technical specification



Specification	40/50 DE	60/80 DE	80/100 DE	100/110 DE	110/130 DE
Max adjustable pressure (Bar)	250				
Max pressure (Bar)	400				

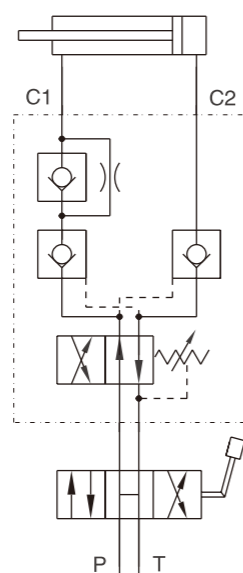
Use and operation:

This valve has been realised for use on cylinders for reversible plough to obtain the automatic oil backflow and therefore the motion reversal of the hydraulic cylinder that makes the plough rotating. It is provided with a double pilot check valve which guarantees high safety and enables to put and block the cylinder in any position. The motion reversal of the piston is made through a differential type relief valve exactly in the dead point of the plough, generating more power and speed. It can be assembled on heavy and unbalanced plough with the following internal diameters: 40/50, 60/80, 80/100, 100/110, 110/130 mm.

Applications:

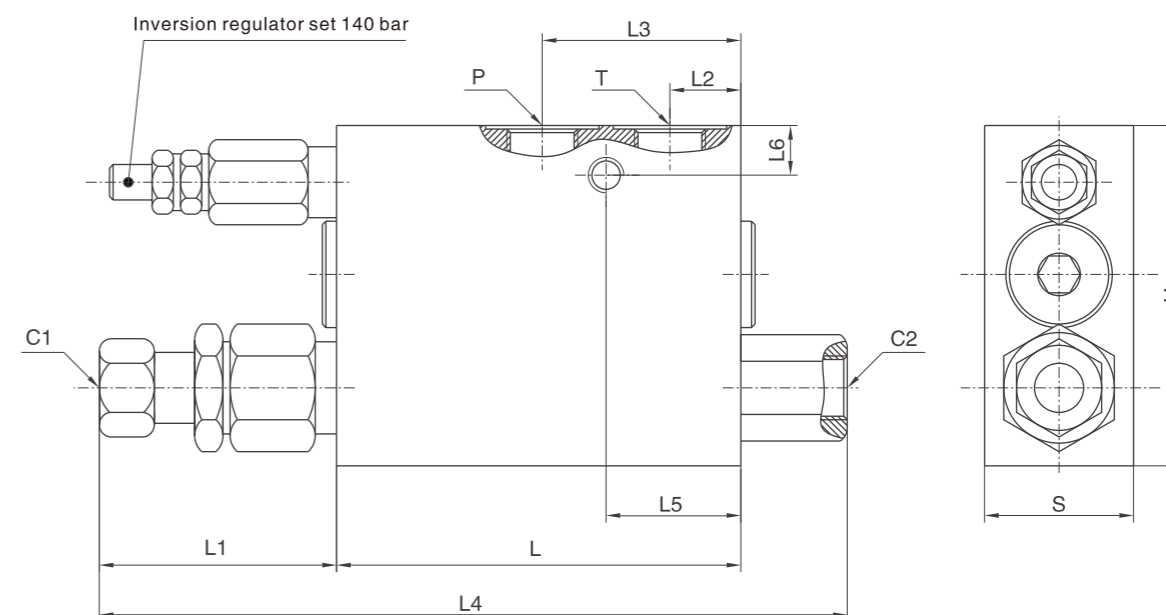
Connect C1 to the cylinder's stem, C2 to the block, P and T to the machine inlet. Thanks to its shape, it can be in-line assembled on a hydraulic cylinder or directly fixed on the plough through the threaded hole made on the body.

Code symbol



Double Acting Plough Overturning Valves

External dimensions



Type	C2/P/T	C1	L	L1	L2	L3	L4	L5	L6	H	S
HYVRA 40/50 DE	G 3/8"	Φ12	95	57	16.5	46.5	176	31.5	12.5	80	35
HYVRA 60/80 DE	G 3/8"	Φ12	94	58	16.5	46.5	176	31.5	12.5	80	35
HYVRA 80/100 DE	G 3/8"	Φ12	94	58	16.5	46.5	176	31.5	12.5	80	35
HYVRA 100/110 DE	G 3/8"	Φ12	94	58	16.5	46.5	176	31.5	12.5	80	35
HYVRA 110/130 DE	G 3/8"	Φ12	94	58	16.5	46.5	176	31.5	12.5	80	35