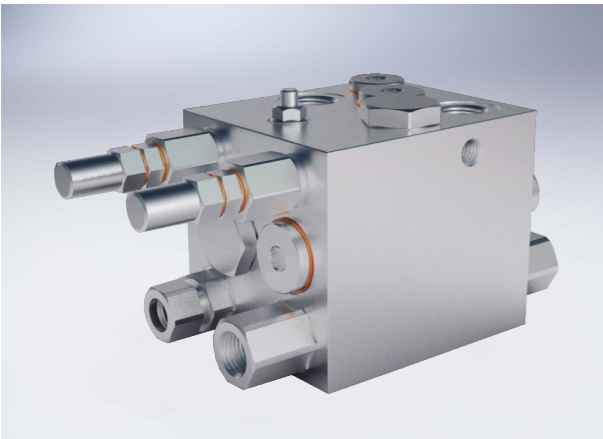


# Double Acting Plough Overturning Valve By Up Mouldboard Load Shifting

**Technical specification**

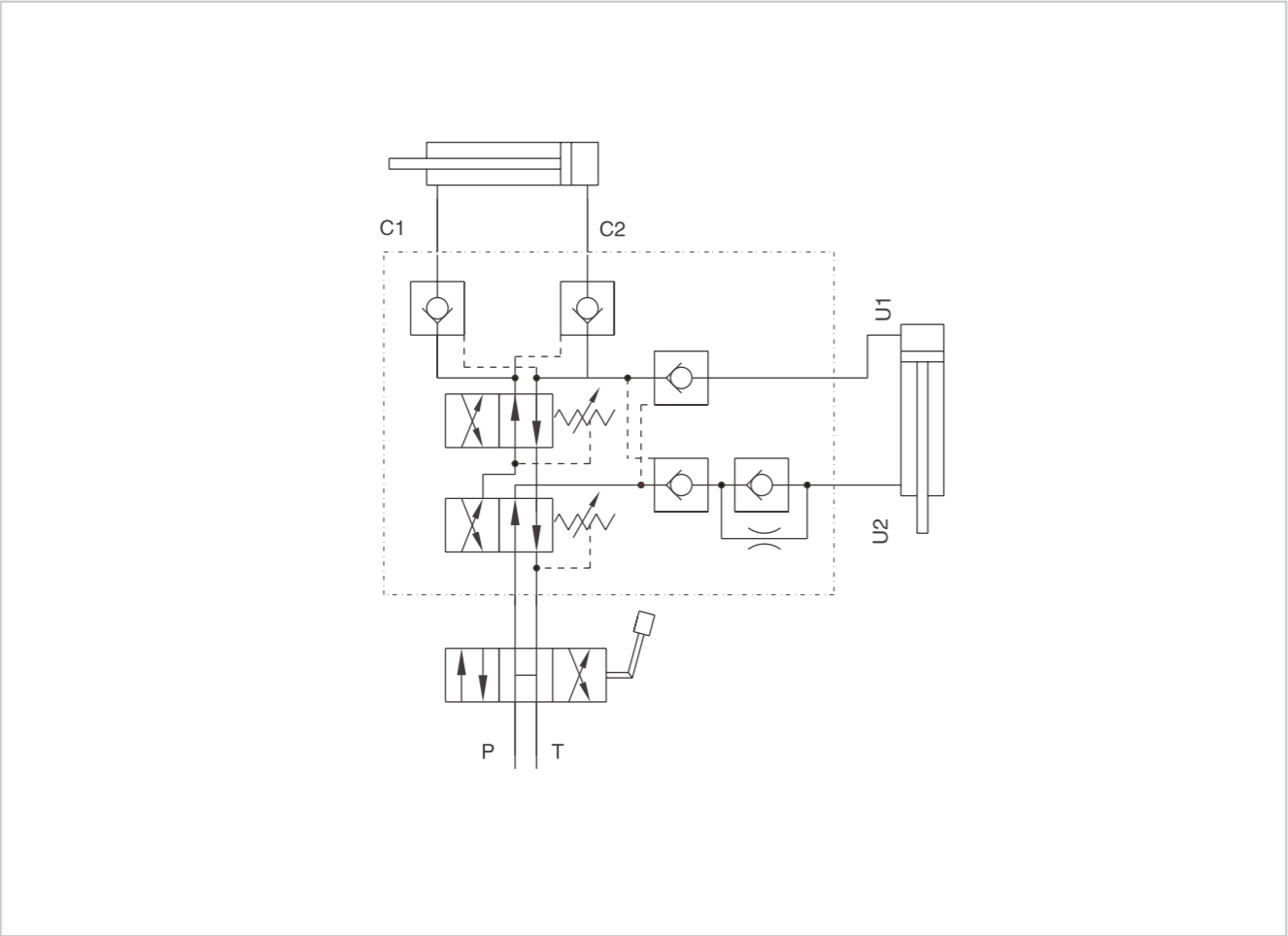


Specification	80/100 SV TN
Max adjustable pressure (Bar)	250
Max pressure (Bar)	400

**Use and operation:**  
This valve has been realised for use on cylinders for reversible plough to obtain the automatic oil backflow and therefore the motion reversal of the hydraulic cylinder that makes the plough rotating. It has been studied to set in action 2 cylinders with advantageous rotation load( see scheme).

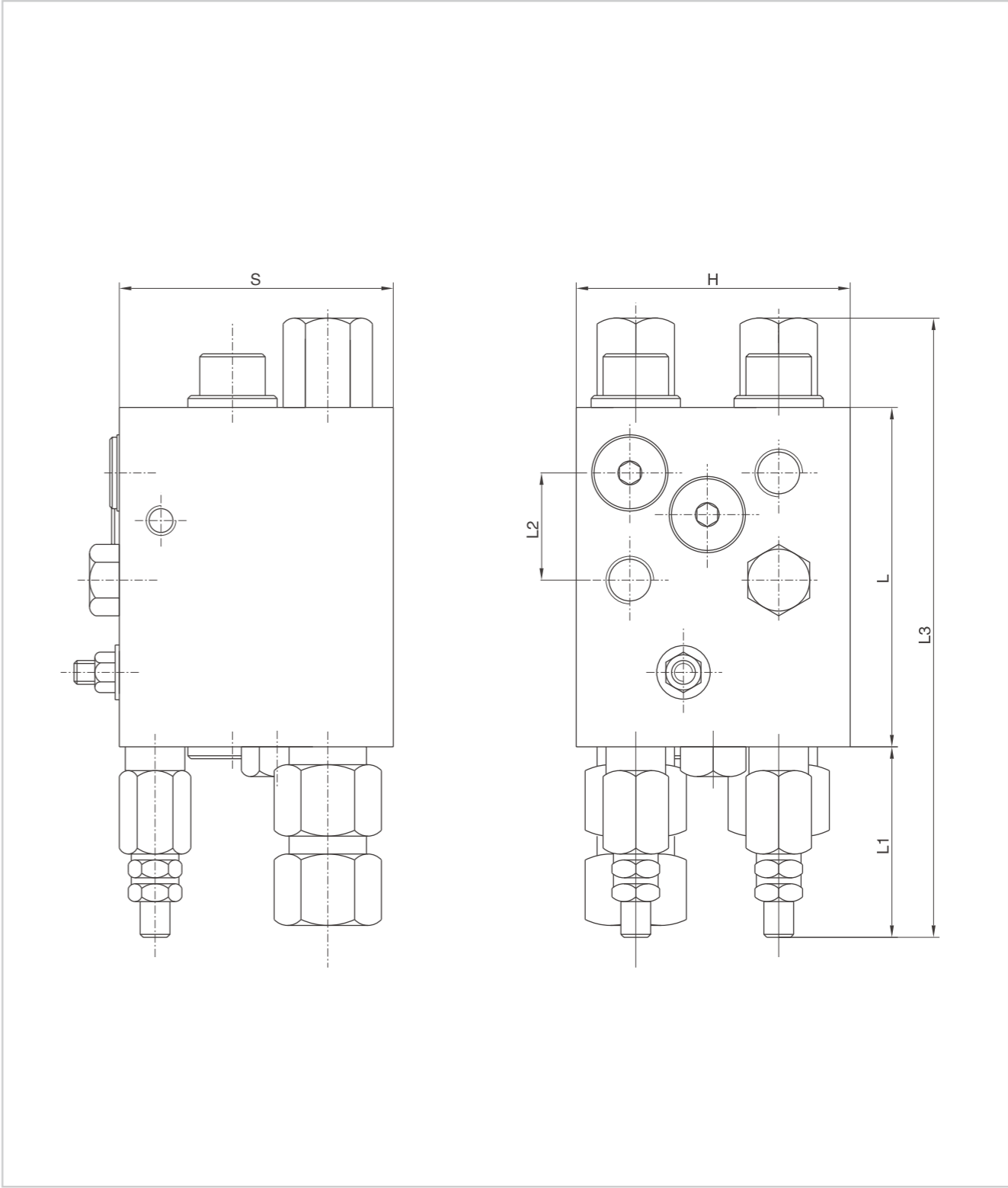
**Applications:**  
Connect C1 to the stem, C2 to the cylinder's block A, U1 to the block and U2 to the stem of the lining up cylinder's B; P and T to the machine inlet. Thanks to its shape, it can be in-line assembled on a hydraulic cylinder or directly fixed on the plough through the threaded hole made on the body.

**Code symbol**



# Double Acting Plough Overturning Valve By Up Mouldboard Load Shifting

**External dimensions**



Type	C1C2/P/T	L	L1	L2	L3	H	S
HYVRAP 80/100 SV TN	G 3/8"	95	57	16.5	176	80	80