

1 Way Special Block For No-stop Plough And Sub-soilers Tillers

Technical specification

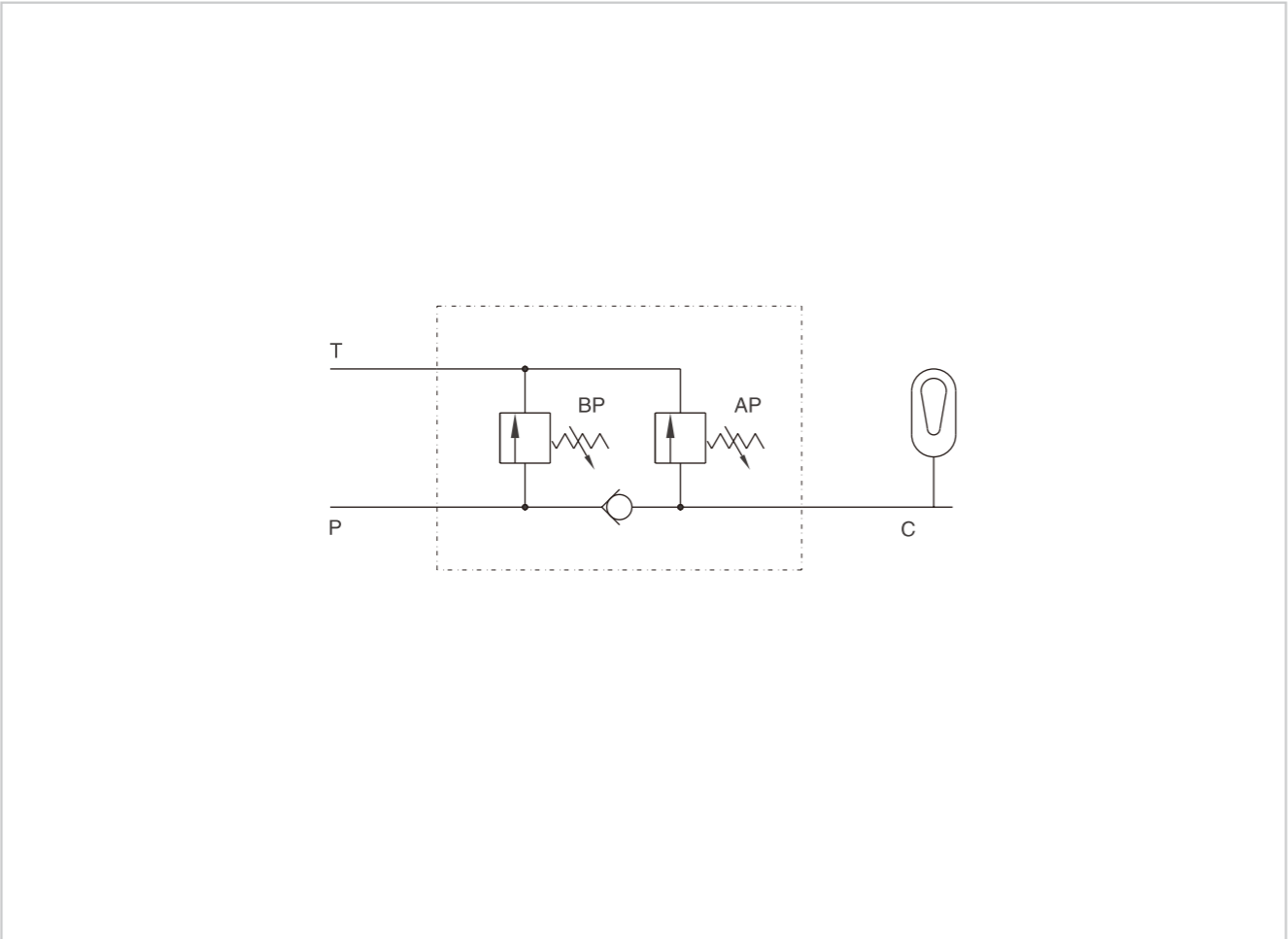


Specification	1 VIA 3/8"	1 VIA 1/2"
Max pressure (Bar)	350	

Use and operation:
 This valve is made up by 2 relief valves and 1 check valve. It is used to supply pressure to tanked systems on non-stop plough and sub-soilers tillers in order to provide protection against shocks.

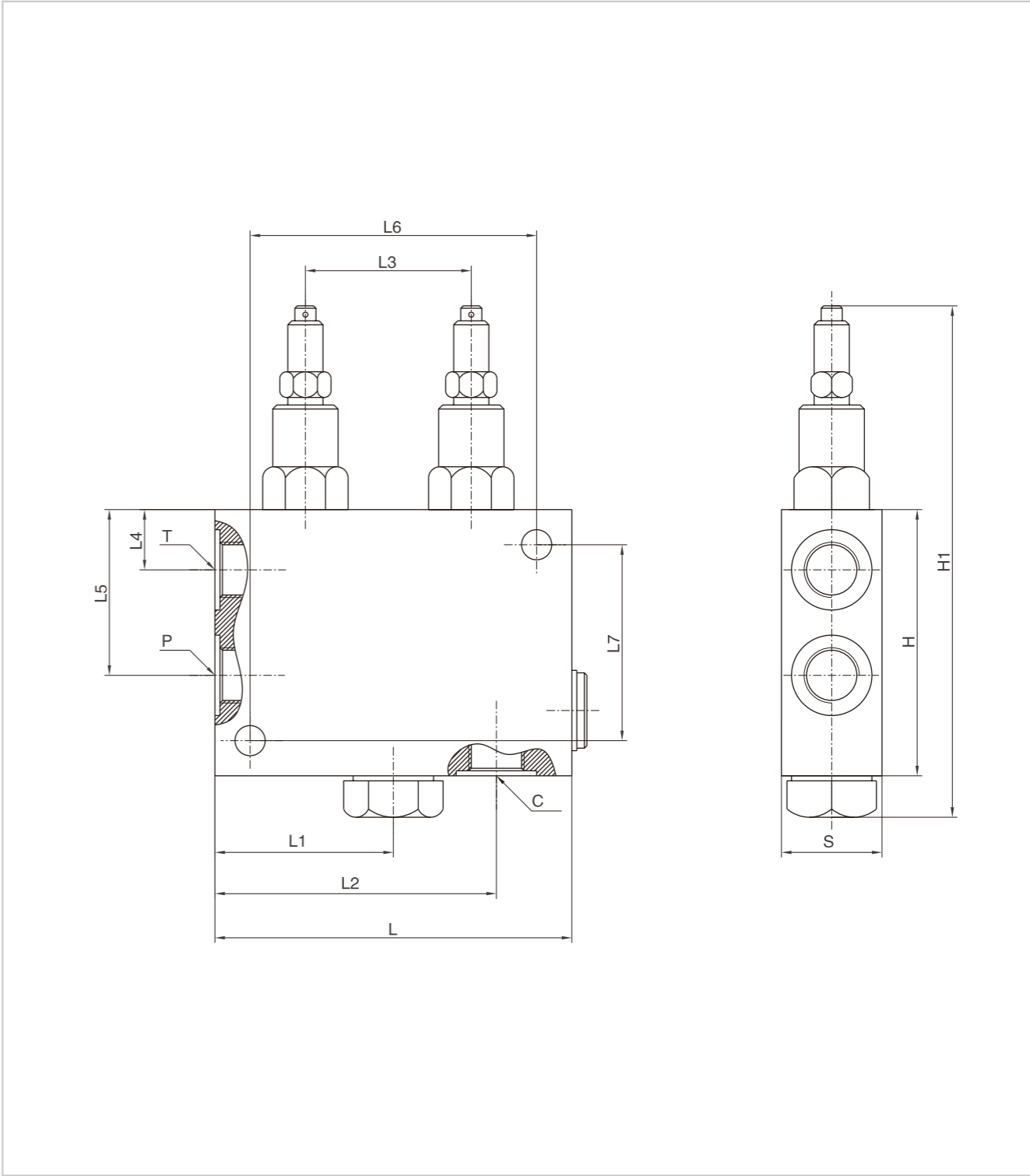
Applications:
 Connect P to the machine inlet, T to the draining or to the tank for the eventual oil reutilization and IC to the system.
 * BP adjusts the charge pressure of system and is set at 80 Bar.
 * AP adjusts the eventual security drainage opening and is set at 250 Bar.

Code symbol



1 Way Special Block For No-stop Plough And Sub-soilers Tillers

External dimensions



Type	P/T	C	L	L1	L2	L3	L4	L5	L6	L7	H	H1	S
HYMASSELLO 1 VIA 3/8"	G 3/8"	G 3/8"	107	52	33	50	18	49	87	60	80	145	30
HYMASSELLO 1 VIA 1/2"	G 1/2"	G 3/8"	114	52	40	50	18	49	94	60	80	145	30