

Hyvbpde Dual Pilot-check Valve

Technical specification



| | |
|--------------------------------------|---|
| Model | HYVBPDE-G1/4KCP |
| Max Pressure (Mpa) | 31.5 |
| Max Flow (L/min) | 40 |
| Working fluid | Mineral oil, phosphate hydraulic oil |
| Fluid viscosity (Mm ² /s) | 2.8-380 |
| Storage temp (°C) | -20~80 |
| Working temp (°C) | -10~60 |
| Cleanliness | The max allowed cleanliness of the oil shall be as per Standard NAS1638, grade IX, recommendable filtering precision Min β ₁₀ ≥75. |

(Please consult with us if your working condition is out of the technical parameter given above.)

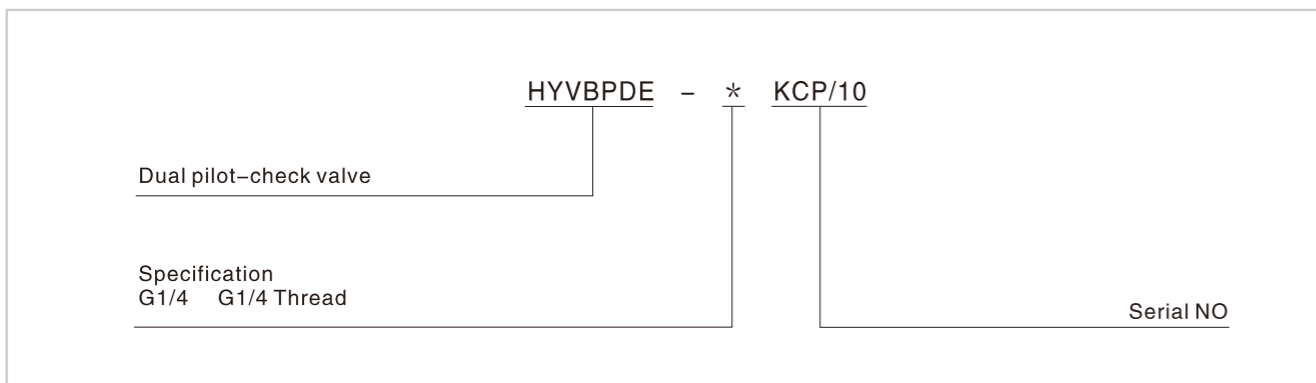
Usage:

It's used for blocking the actuators, allow the fluid to flow in one direction and block the flow in reverse, til the control oil works, the flow flows free, can be used to control the cylinder.

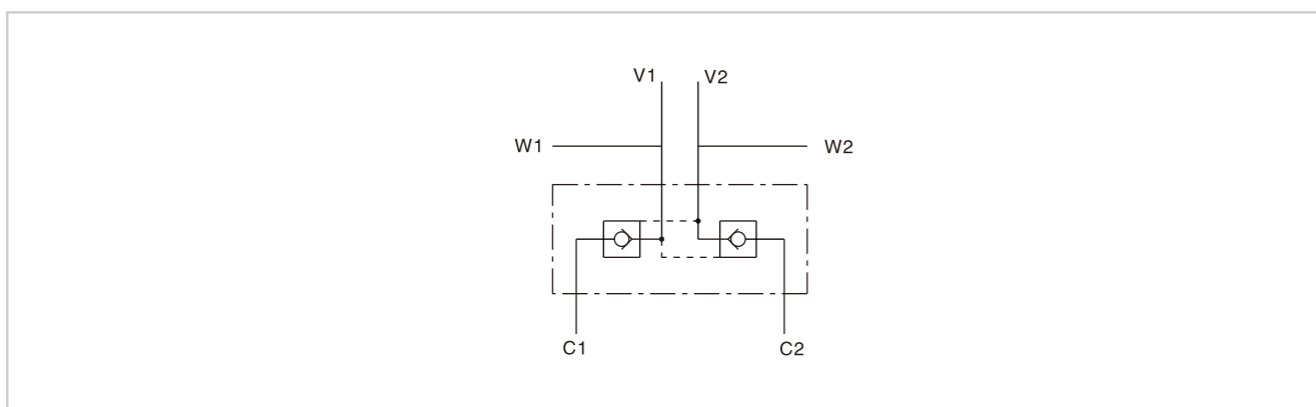
Connection:

connect V1 V2 to pressure circuits, C1 C2 to the pipeline of the actuators, W1, W2 can connect with the gauge, or can be plugged.

Model description

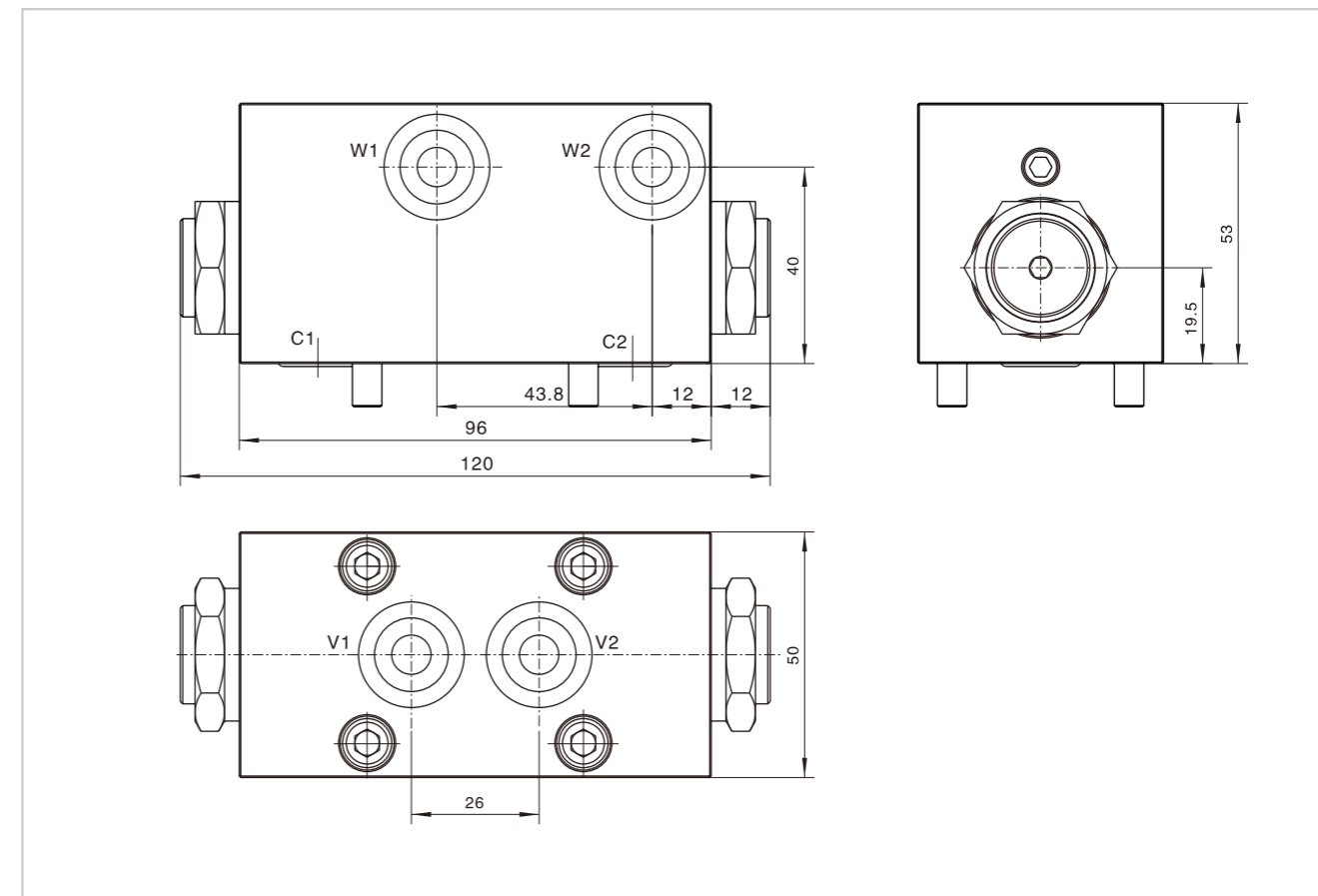


Code symbol



Hyvbpde Dual Pilot-check Valve

External dimensions



Subplate size

