

## Hyyf Hydro-operated Directional Valve

### Technical specification



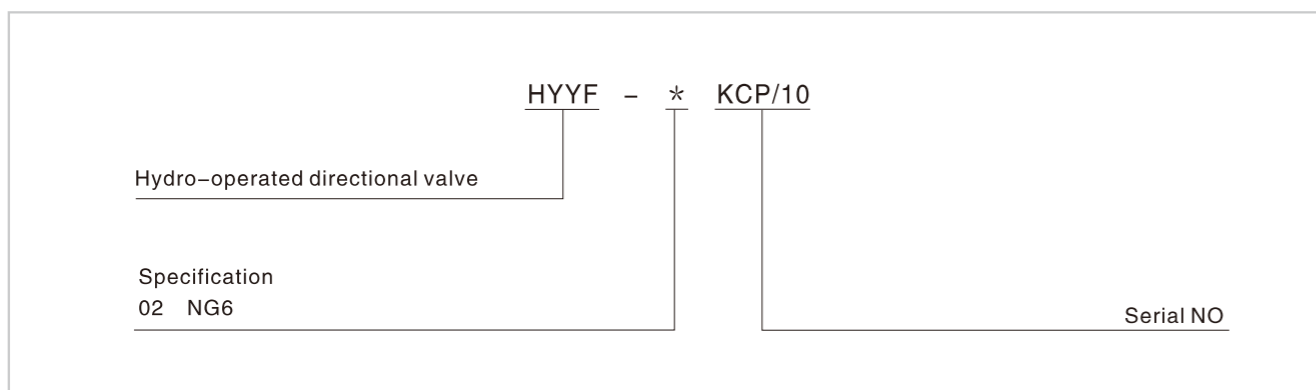
Model	HYYF-02-KCP
Max Pressure (MPa)	31.5
Max Flow (L/min)	40
Working fluid	Mineral oil, phosphate hydraulic oil
Fluid viscosity (mm <sup>2</sup> /s)	2.8~380
Storage temp (°C)	-20~80
Working temp (°C)	-10~60
Cleanliness	The max allowed cleanliness of the oil shall be as per Standard NAS1638, grade IX, recommendable filtering precision Min β <sub>10</sub> ≥75.

( Please consult with us if your working condition is out of the technical parameter given above. )

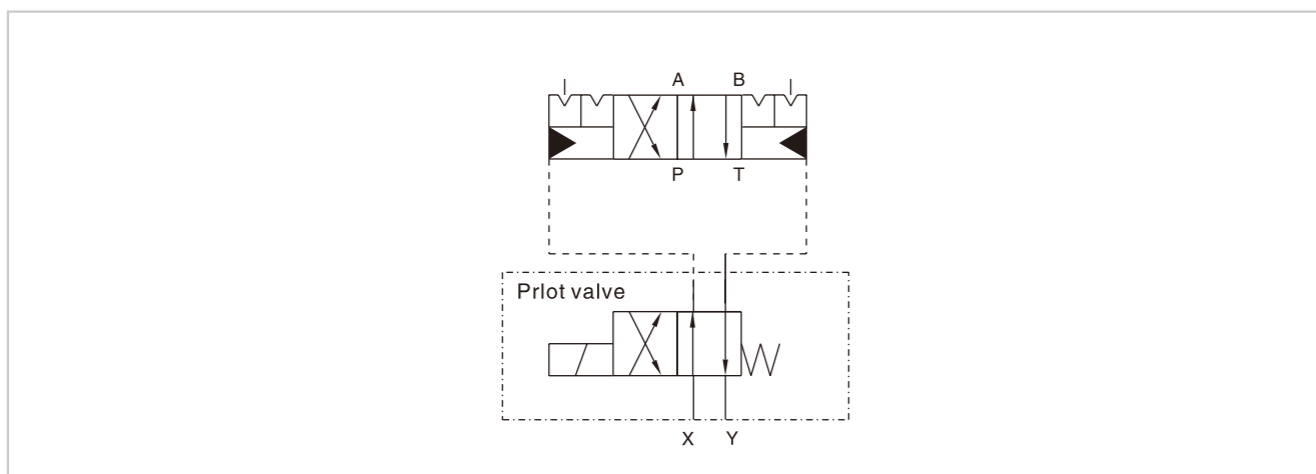
#### Usage:

It's a modular hydro-operated directional valve, combine with solenoid valve (Hoyea FW series) to control the cylinder, and with positioning function. Connect X to pressure circuit, Y to tank.

### Model description

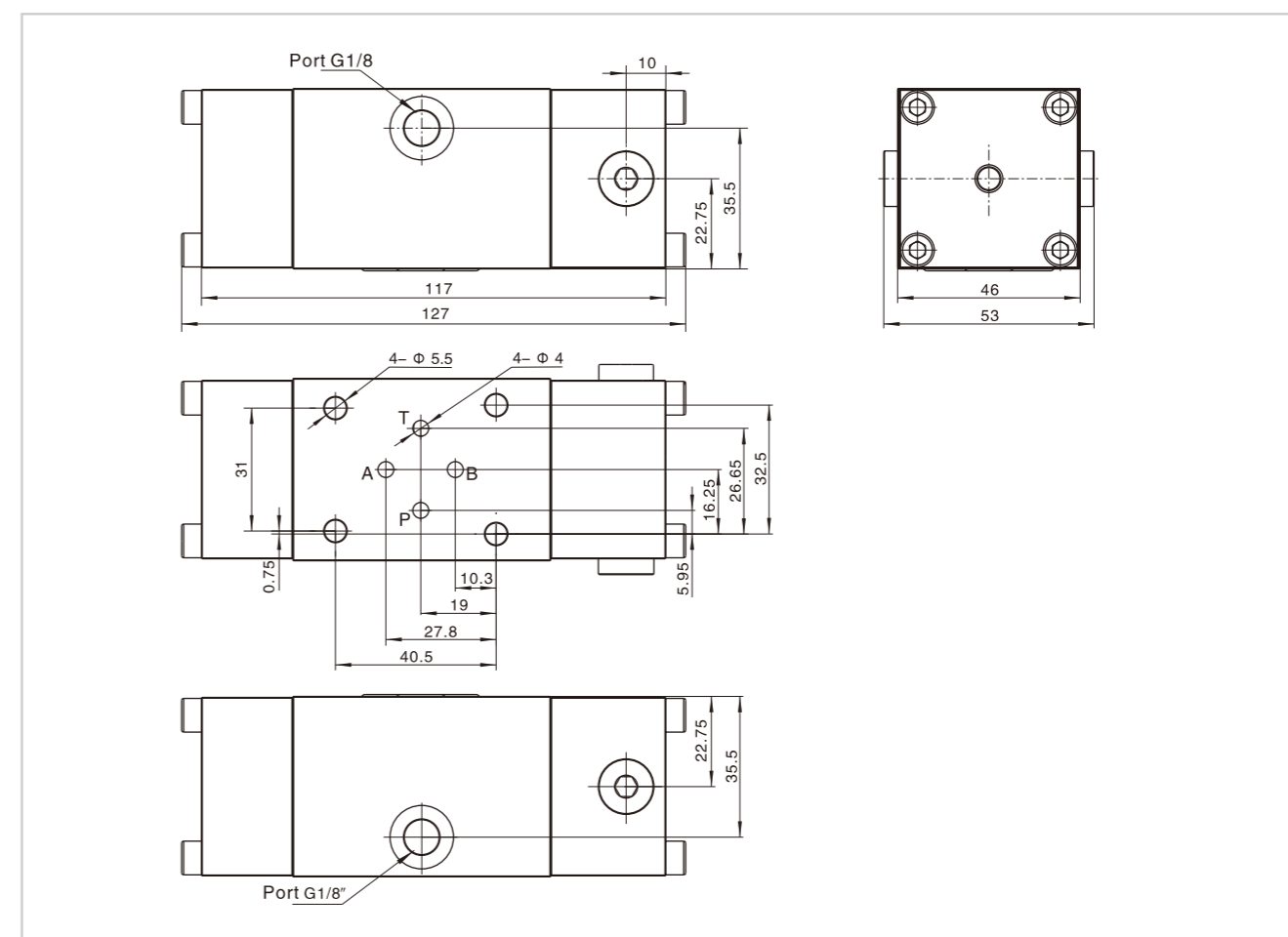


### Code symbol



## Hyyf Hydro-operated Directional Valve

### External dimensions



### Subplate size

