

Manual Operated Directional Control Valve

Technical specification



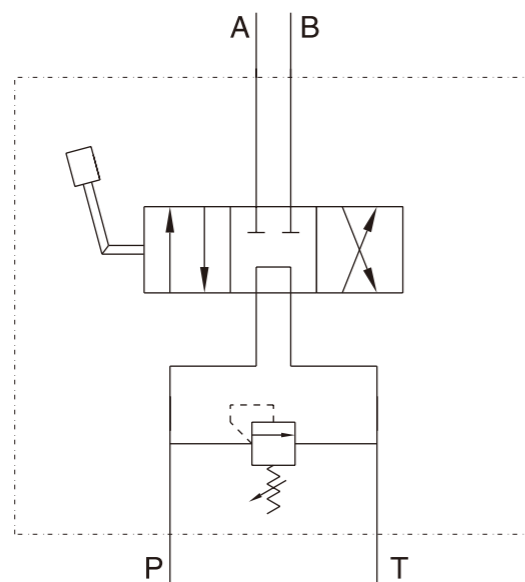
Specification	G3/8	SAE8	M18
Max.flow (L/min)	250		
Max pressure (Bar)	25		

Return types*	Spring return
	With detent

(Please specify when ordering) *

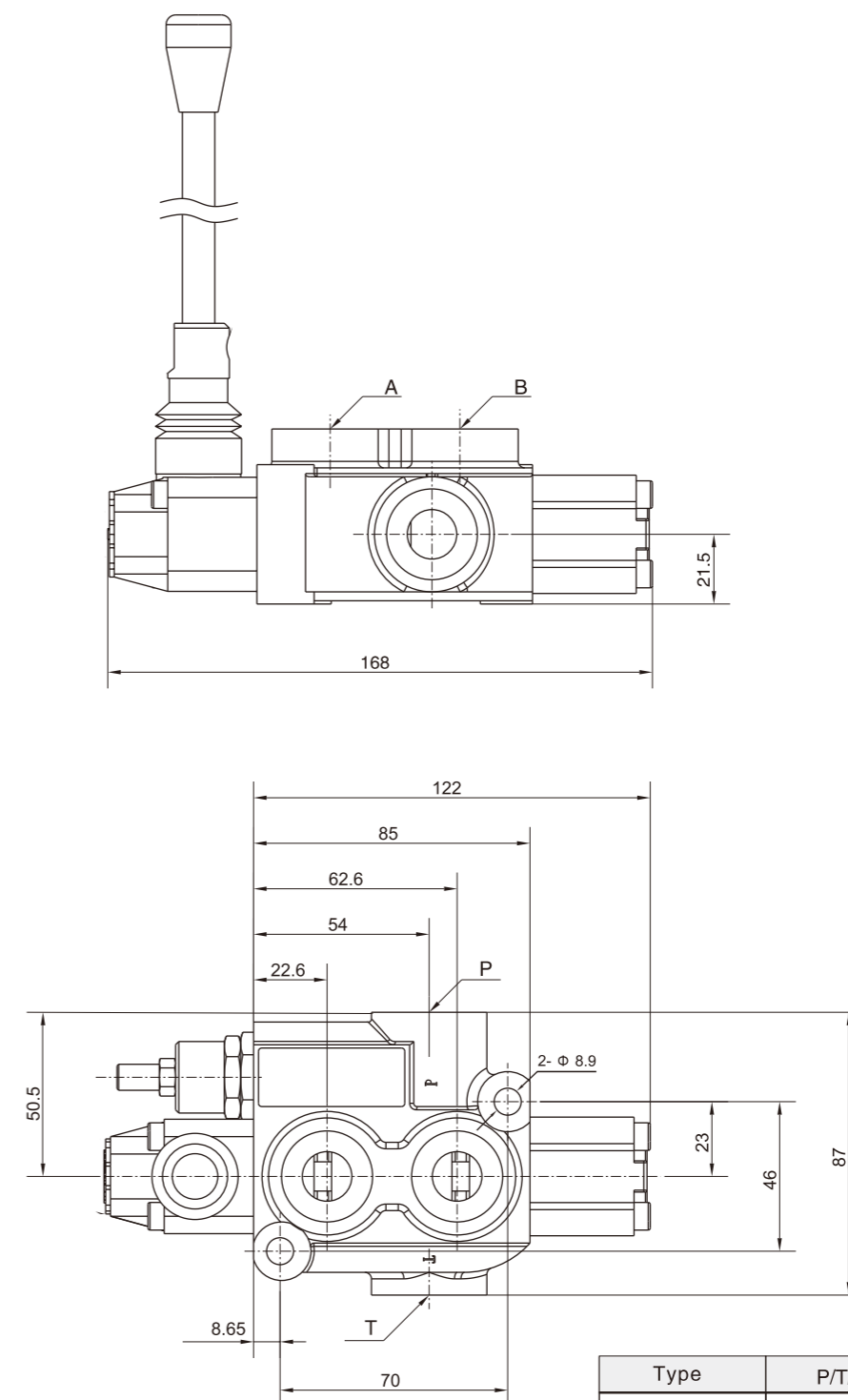
Manual operated directional control valve is a directional control valve,by operating the handle,the spool moves in the axial direction to achieve oil loop switching
Manual operated directional control valve and electrical operated directional control valve are played the same role in the hydraulic system. Easy operation, reliable work,and without the need for electricity

Code symbol



Manual Operated Directional Control Valve

External dimensions



Type	P/T/A/B
HYMB2 G3/8	G 3/8"
HYMB2 SAE8	SAE 8
HYMB2 M18	M18x1.5