

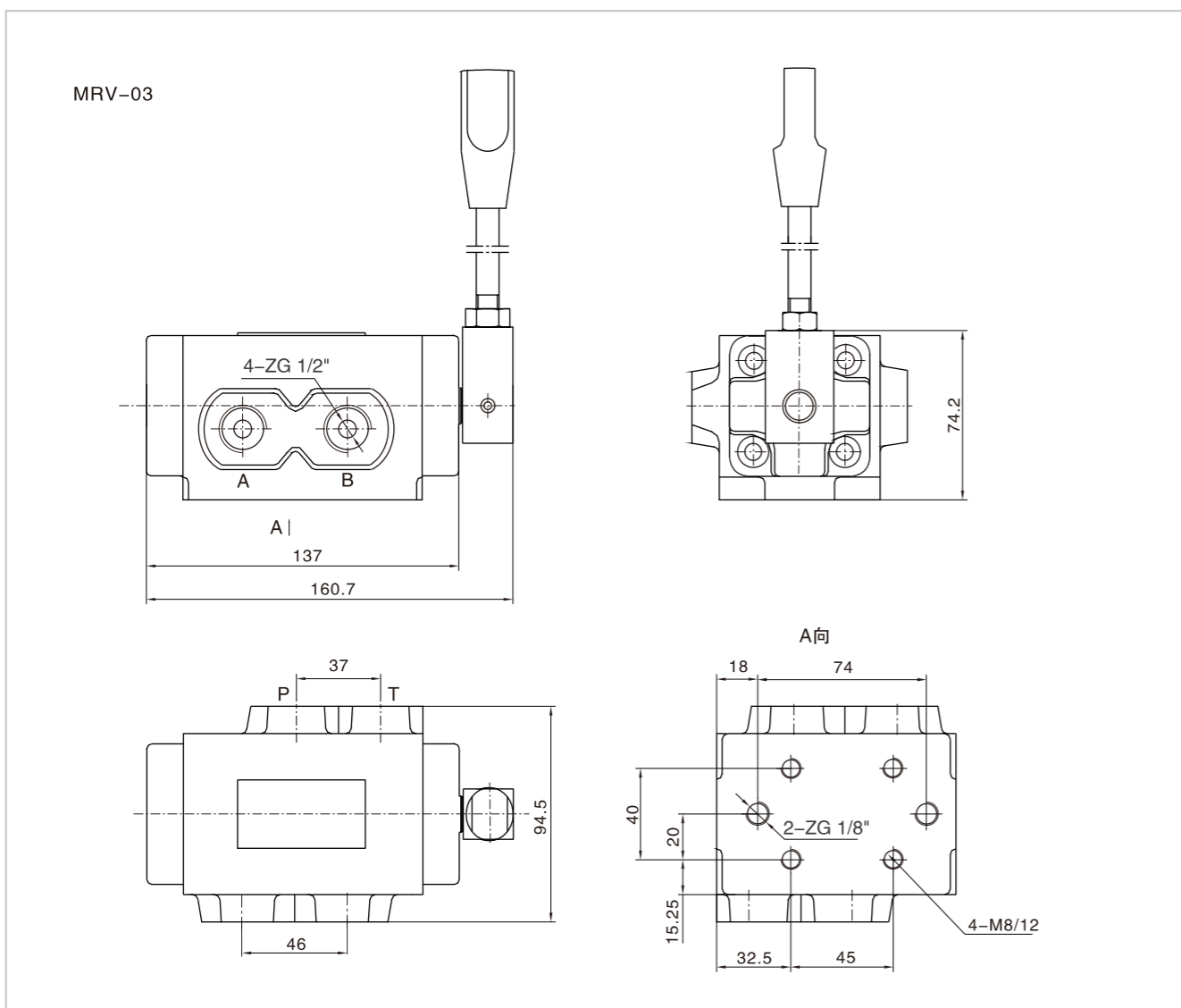
Manual Operated Directional Valve

Technical specification



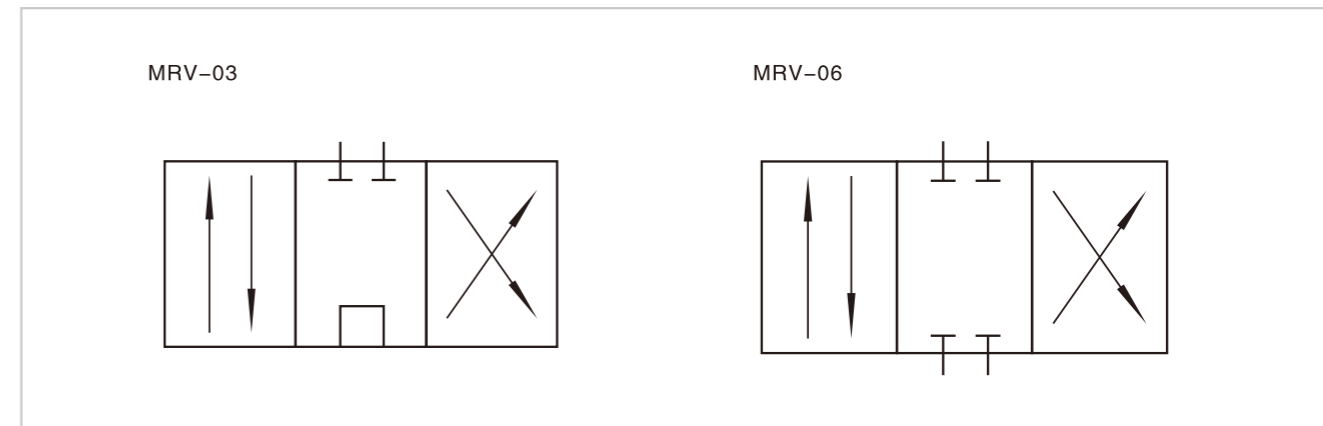
Specification	03	06
Max.flow (L/min)	40	60
Max pressure (Bar)	21	21
Screw type	PT, NPT BSP, 1/2	PT, NPT BSP, 3/4

External dimensions



Manual Operated Directional Valve

Code symbol



External dimensions

