

Manual Operated Directional Valve(pc)

Technical specification

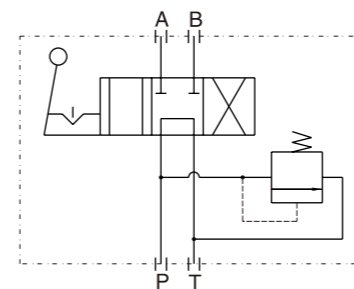


Specification	03-PC	06-PC
Max.flow (L/min)	70	100
Max pressure (Bar)	21	21
Screw type	PT, NPT BSP, 1/2	PT, NPT BSP, 3/4 Flang is also vailadle

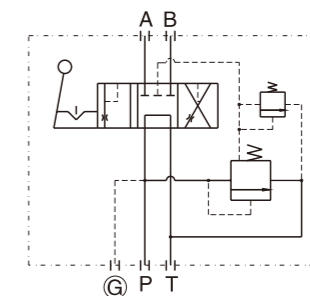
Manual Operated Directional Valve(pc)

Code symbol

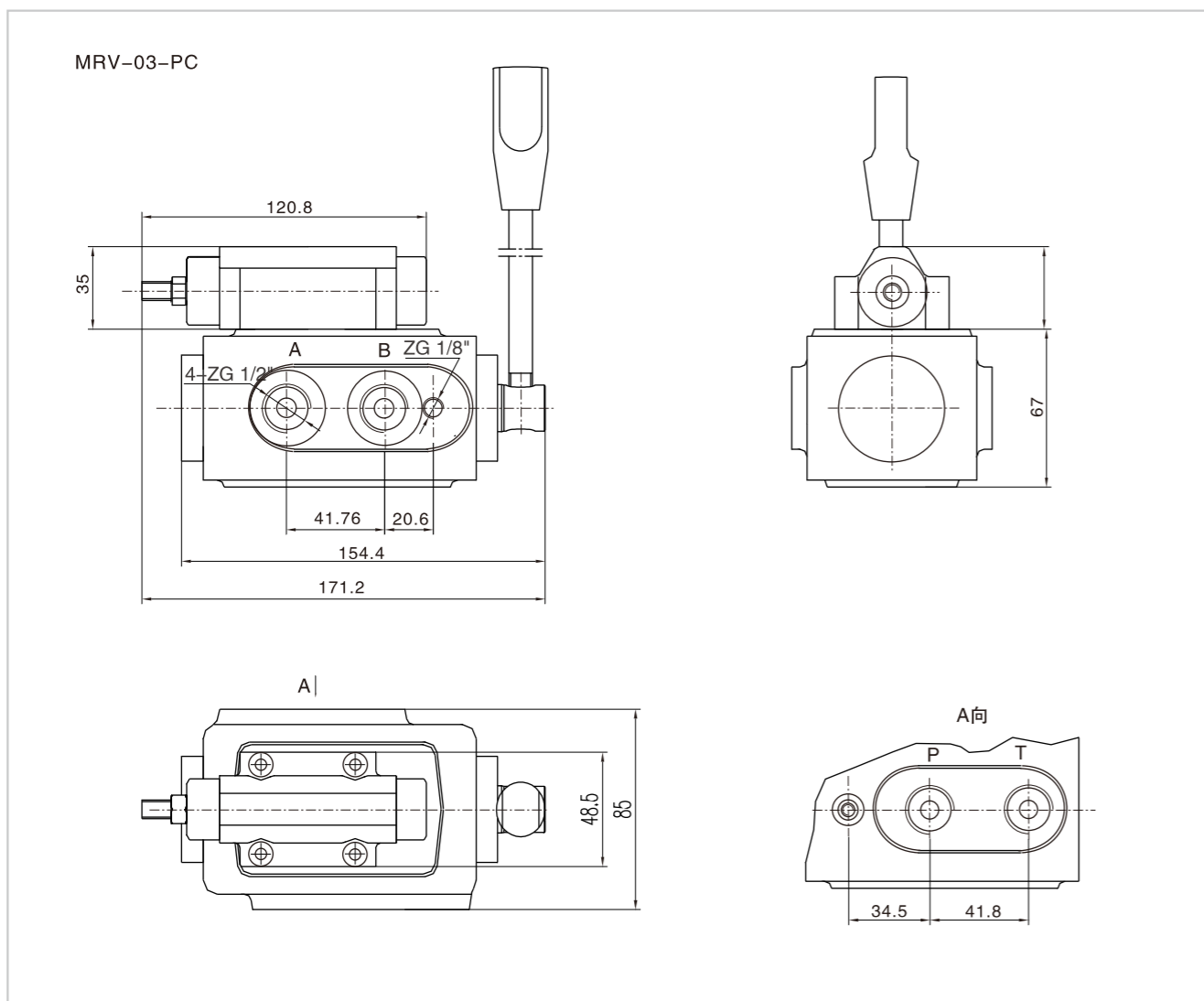
MRV-03 PC



MRV-06 PC



External dimensions



External dimensions

