

Explosion Isolation Proportional Pilot-operated Relief Valve

Technical specification

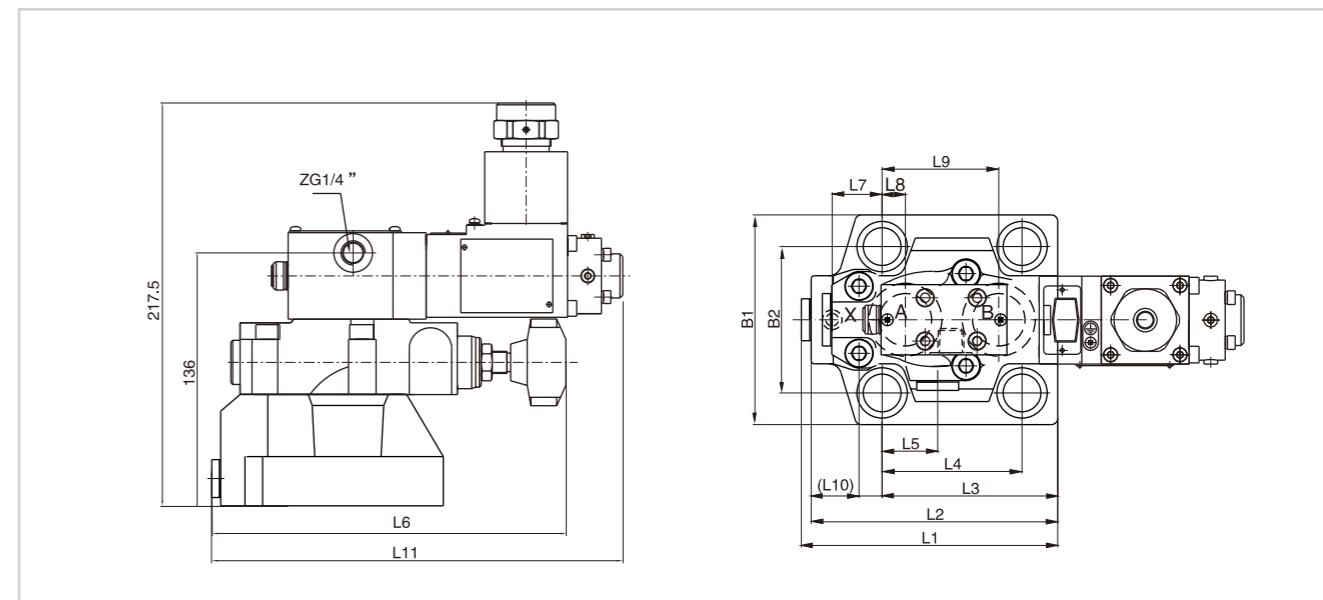


Specification		03	06	10	
Max. working pressure (MPa)	Oil port A, B, X	31.5			
	Oil port Y	0 Mpa return to oil tank			
Working pressure (Mpa)		7	16	25	31.5
Max. Flow (L/min)		200	400	600	
Working fluid		Mineral oil; phosphate-ester			
Fluid temp. (°C)		-20~70			
Viscosity (mm ² /s)		15~380			
Hysteresis (%)		< 2			
Repeatability (%)		< 2			
Linearity (%)		< 3.5			
Working voltage (V)		DC24			
Rated current (mA)		750			
Coil resistance (Ω)		19.5			
Insulation grade		IP55			
Cleanliness	The maximum allowable cleanliness of the oil should be according to 9th degree of Standard NAS1638. It is suggested that the minimum filter rating should be β 10 ≥ 75.				

K.9.1

Explosion Isolation Proportional Pilot-operated Relief Valve

External dimensions



K.9.2

Model instruction

GDBY * - * - * * * / * * - 52 *

<p>Explosion isolation proportional pilot-operated pressure-relief valve</p> <p>Omit¹⁾ limit max.pressure With limit max.pressure</p> <p>Specification 03 DN10 06 DN20 10 DN30</p> <p>Working pressure 7 to 7MPa 16 to 16MPa 25 to 25MPa</p> <p>Y intl cntrl extl disch XY extl cntrl extl disch</p>	<p>Remarks Serial number</p> <p>Seal material Omit NBR Seals V FPM Seals</p> <p>Pilot operated drainage port thread Omit ZG1/4"</p> <p>Ex d I Mb Ex d II C T6 Gb E Ex d IIIC T80°C Db IP65</p> <p>Working voltage D24 DC24V</p>
---	---

Notice: 1) Only with limited max. Pressure, available from stock

Code symbol

GDBY...Y.../...-52

GDBY...XY.../...-52

Subplate size

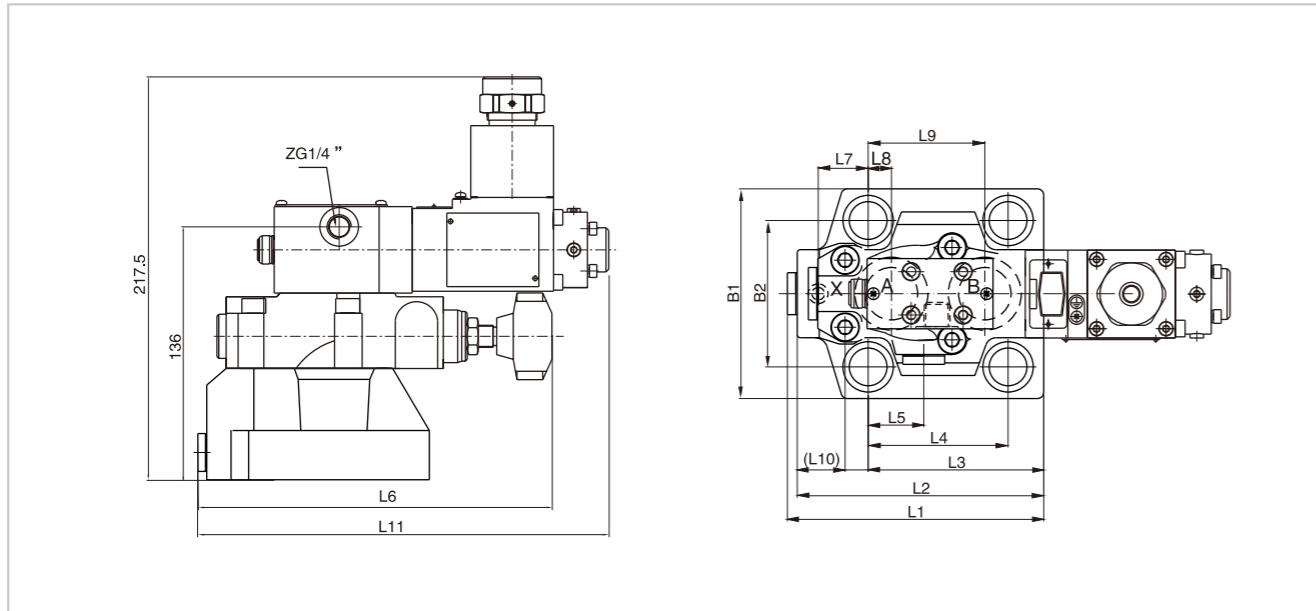
Specification	Fixing screw	Amount	Tighten torque
GDBY-03	M12x45-10.9	4	130Nm
GDBY-06	M16x50-10.9	4	310Nm
GDBY-10	M18x50-10.9	4	430Nm

Specification	B1	B2	L1	L2	L3	L4	L5	L6	L7	L8	L9	L10	L11	L12	L13	L14	D	D1	D2	D3
GDBY-03	80	54	101	96	67	54	32.4	177	0	22.1	47.5	14	218.1	22.1	20	6	12	6	M12	7
GDBY-06	100	69.8	122.2	117.5	83.7	66.7	35.4	189.5	23.8	11.1	55.6	11	230.6	33.3	25	6	25	6	M16	7
GDBY-10	115	82.5	154.5	149.5	106.9	88.9	37	200.2	31.8	12.7	76.2	9.4	241.3	44.4	30	6	32	6	M18	7

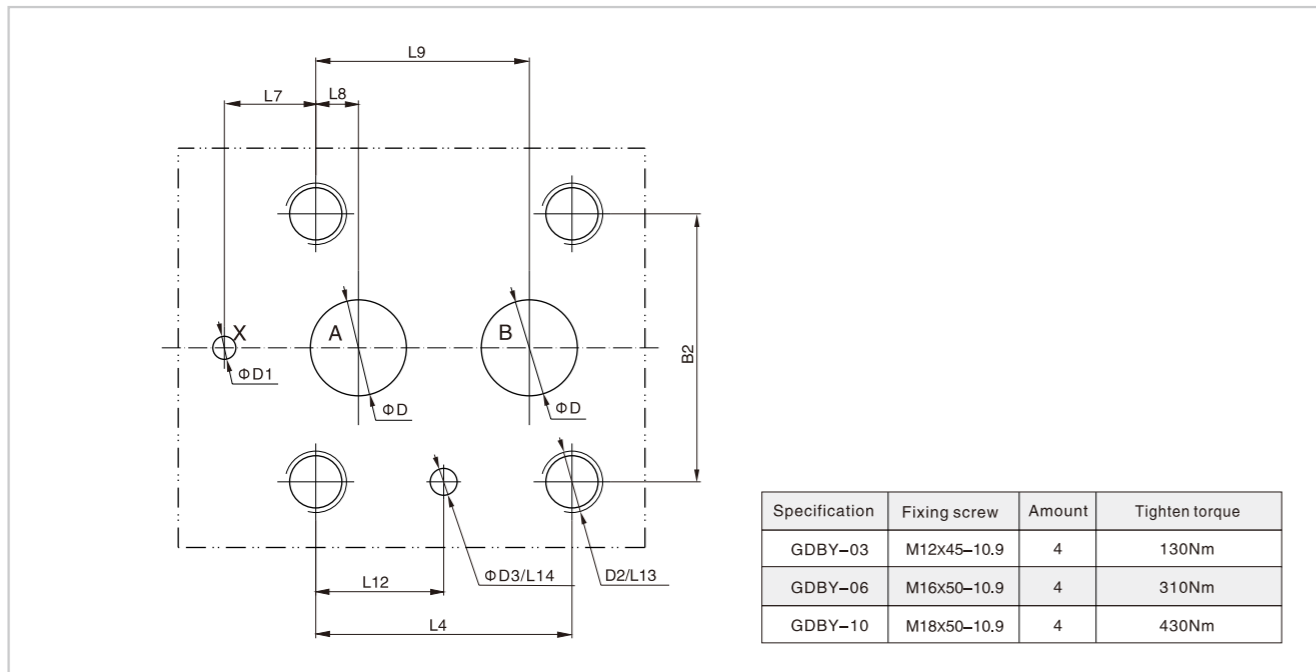
1. When installing the product, consider horizontal position firstly.
2. The medium used in the hydraulic system must be filtered. its accuracy at least should be 20 μm.
3. Screw should be according to the parameters of catalogue.
4. The surface, connecting with the valve, should be Ra0.8 roughness, and 0.01/100mm flatness.

Explosion Isolation Proportional Pilot-operated Relief Valve

External dimensions



Subplate size



Specification	B1	B2	L1	L2	L3	L4	L5	L6	L7	L8	L9	L10	L11	L12	L13	L14	D	D1	D2	D3
GDBY-03	80	54	101	96	67	54	32.4	177	0	22.1	47.5	14	218.1	22.1	20	6	12	6	M12	7
GDBY-06	100	69.8	122.2	117.5	83.7	66.7	35.4	189.5	23.8	11.1	55.6	11	230.6	33.3	25	6	25	6	M16	7
GDBY-10	115	82.5	154.5	149.5	106.9	88.9	37	200.2	31.8	12.7	76.2	9.4	241.3	44.4	30	6	32	6	M18	7

1. When installing the product, consider horizontal position firstly.
2. The medium used in the hydraulic system must be filtered, its accuracy at least should be 20 μm.
3. Screw should be according to the parameters of catalogue.
4. The surface, connecting with the valve, should be Ra0.8 roughness, and 0.01/100mm flatness.

Explosion Isolation Proportional Pilot-Operated Pressure-reducing Valve

Technical specification



Specification		03	06
Max. working pressure (MPa)	Oil ports A, B	25	
	Oil ports Y	0 Mpa return to oil tank	
Working pressure (Mpa)		7	16 25
Max. Flow (L/min)		80	200
Working fluid		Mineral oil; phosphate-ester	
Fluid temp. (°C)		-20~70	
Viscosity (mm ² /s)		15~380	
Hysteresis (%)		± 2	
Repeatability (%)		± 2.5	
Linearity (%)		± 4	
Working voltage (V)		DC24	
Rated current (mA)		750	
Coil resistance (Ω)		19.5	
Insulation grade		IP55	
Cleanliness	The maximum allowable cleanliness of the oil should be according to 9th degree of Standard NAS1638. It is suggested that the minimum filter rating should be β 10 ≥ 75.		

Model instruction

GDBYJ * - * - * * * * * / * * - 52 *

Explosion isolation proportional pilot-operated pressure-reducing valve		Remarks
Omit ¹⁾ limit max. pressure		Serial number
M With limit max. pressure		
Specification		Seal material
03 DN10		Omit NBR Seals
06 DN20		V FPM Seals
Working pressure		Pilot operated drainage port thread
7 to 7MPa		Omit ZG1/4"
16 to 16MPa		Ex d I Mb
25 to 25MPa		Ex d II C T6 Gb
Omit without check valve		E Ex d III C T80°C Db IP65
D with check valve		Working voltage
Y intl cntrl extl disch		D24 DC24V

Notice: 1) Only with limited max. Pressure, available from stock

Code symbol

