

Solenoid Valve With Hand Control

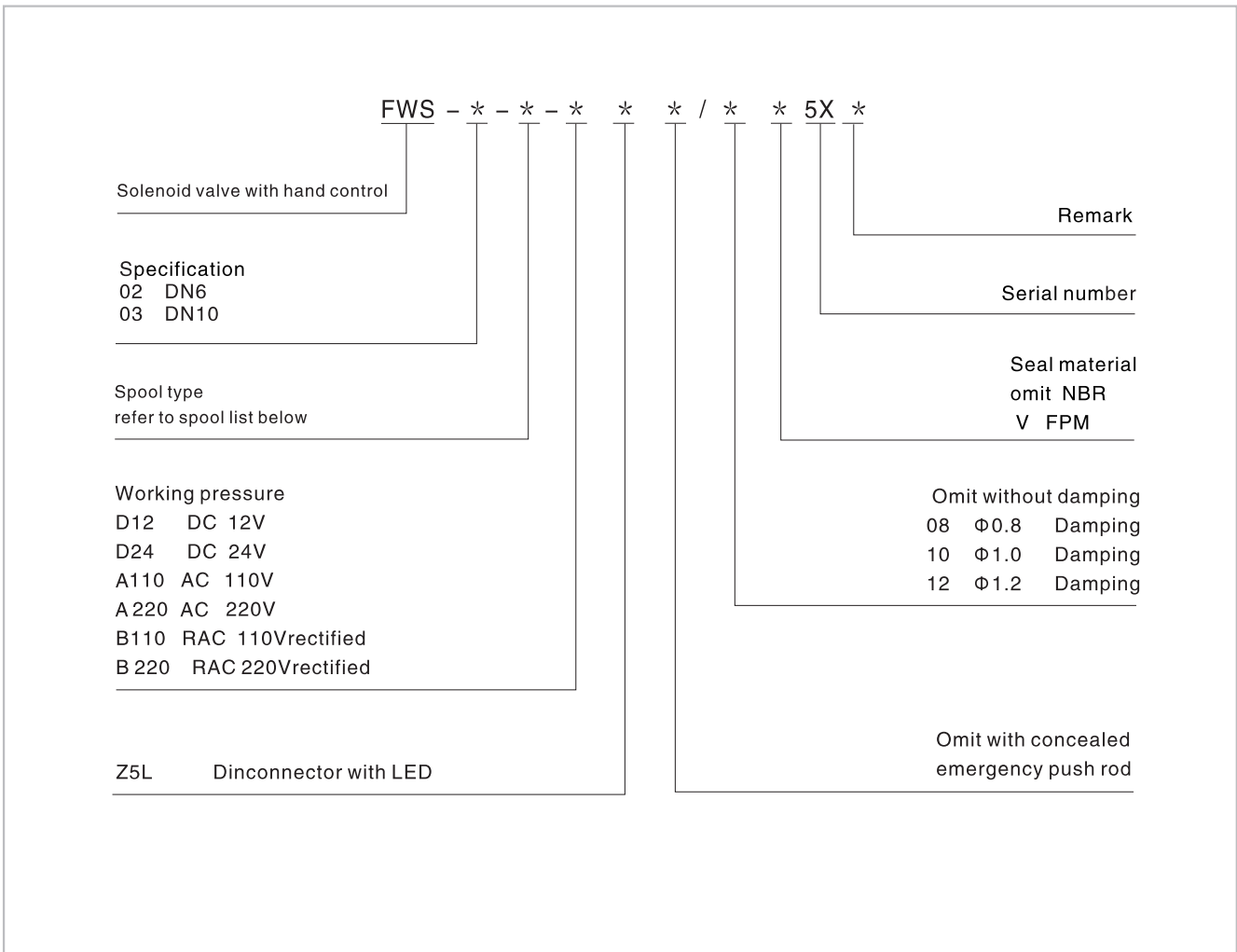
Technical data



Model		02	03
Pressure range (MPa)	Oil port P, A, B	35	31.5
	Oil port T	10	
Max flow rate(L/min)		80	120
Installation		Any, recommended horizontal installation	
Working fluid		Mineral hydraulic oil; phosphate ester hydraulic oil	
Fluid temp (°C)		-20~70	
Fluid viscosity (mm ² /s)		2.8~100	
Working voltage (V)	DC	12	24
	AC	110/50Hz	220/50Hz
Protection grade		IP65	
Cleanliness		NAS1638 Class 9, recommended filtration precision Min $\beta_{10} \geq 75_0$	

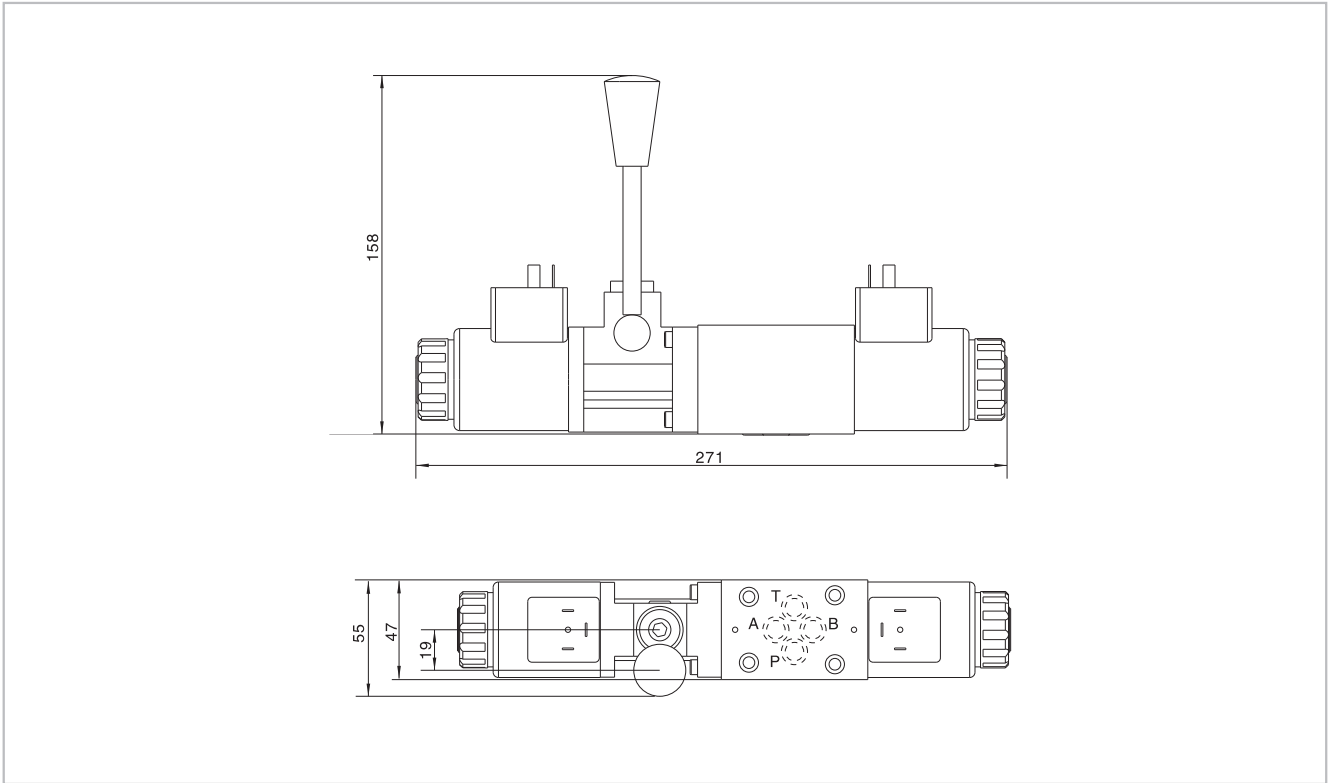
FWS can work as standard solenoid directional valve, also can control the spool movement with hand level on power-off condition.

Model description



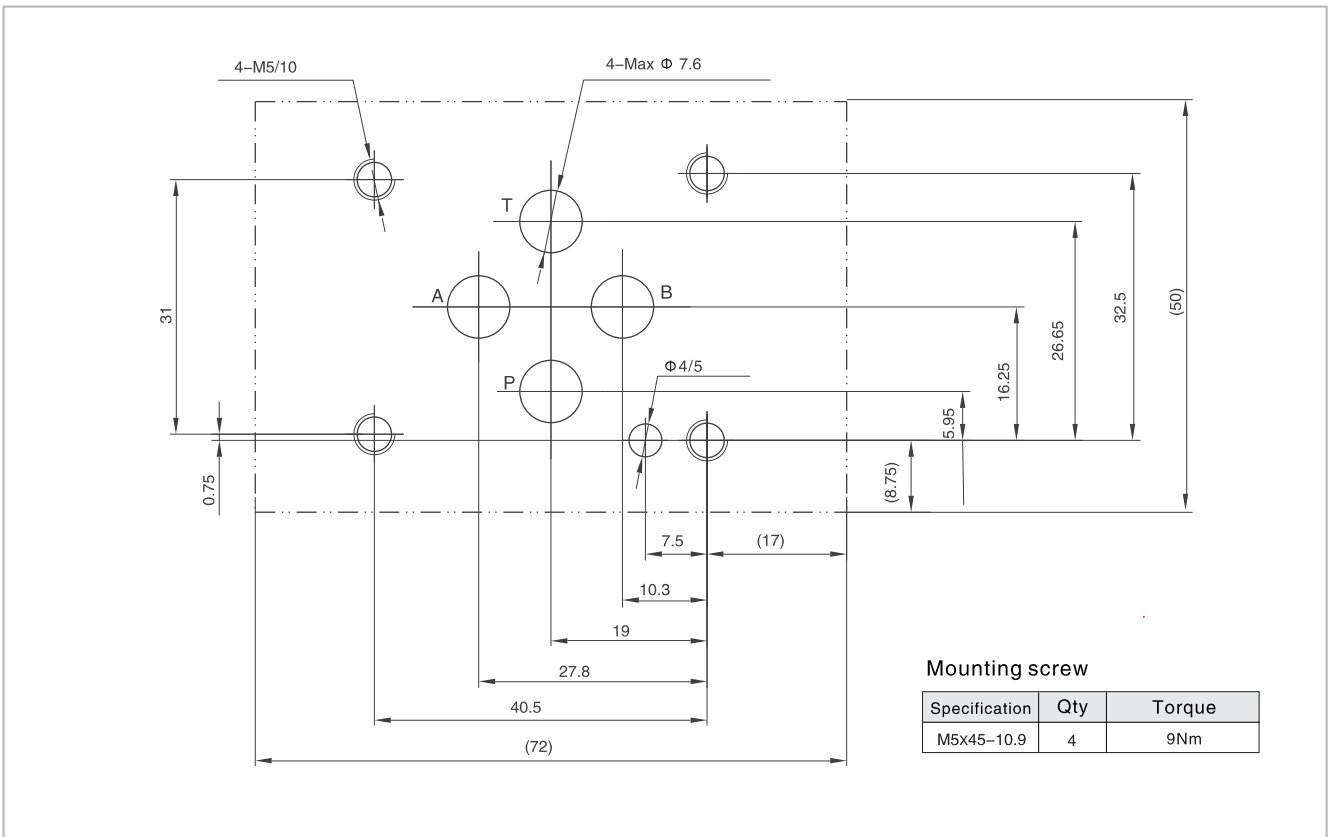
Solenoid Valve With Hand Control

02 Dimension



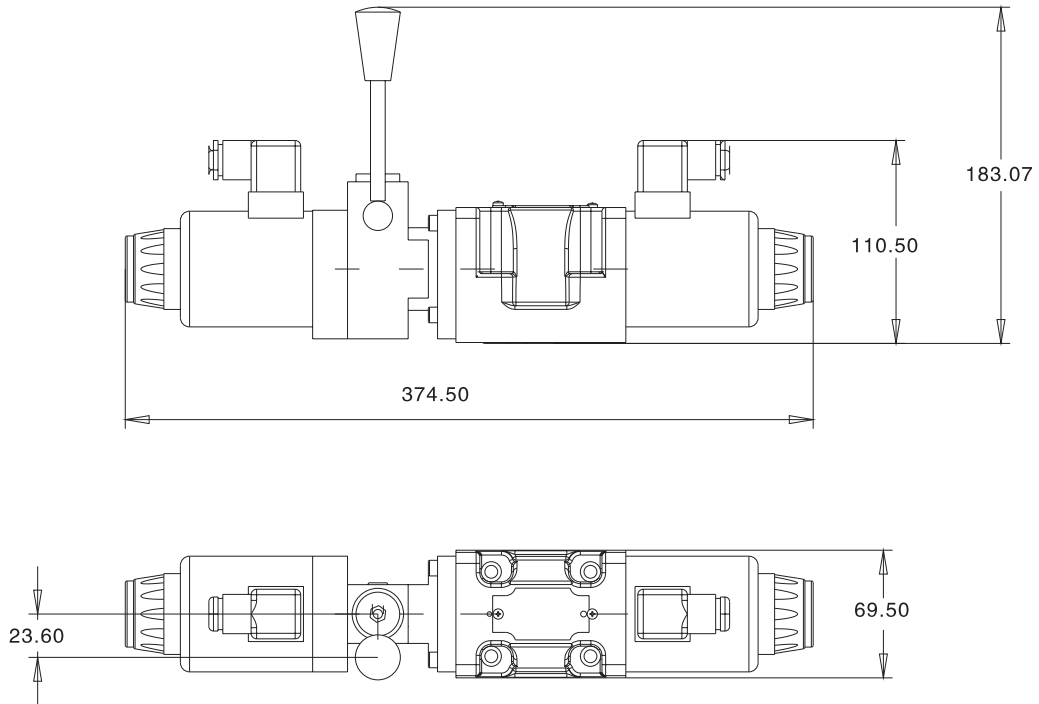
D.10.2

02 Subplate mounting size

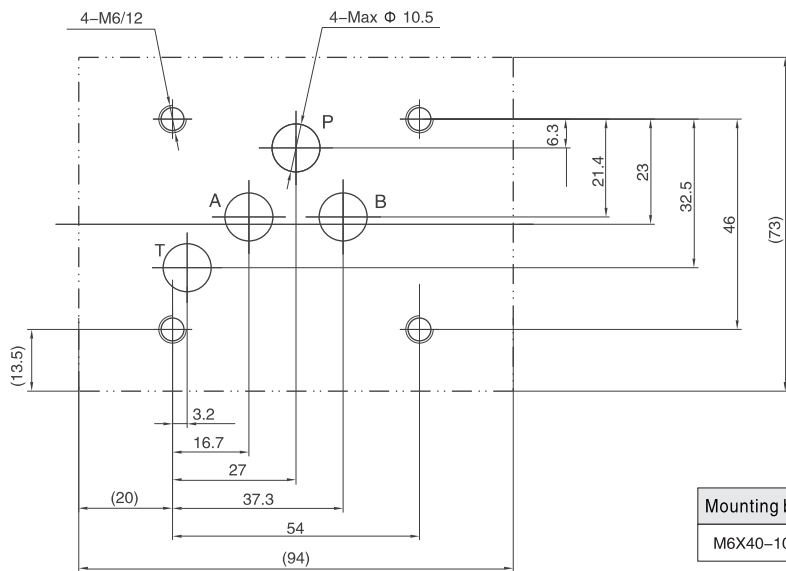


Solenoid Valve With Hand Control

03 Dimension



03 Subplate mounting size



Mounting bolt	Qty	Tightening torque
M6X40-10.9	4	15Nm

Notice:

1. Please refer to "user's guide" before mounting .
2. When installing the product, considering horizontal position firstly.
3. The medium used in the hydraulic system must be filtered, its accuracy is at least $20 \mu\text{m}$.
4. Screw should be according to the parameters in catalogue.
5. The surface, connecting with the valve, should be Ra0.8 roughness, and 0.01/100mm flatness.