

Coverplate(Pressure Function)

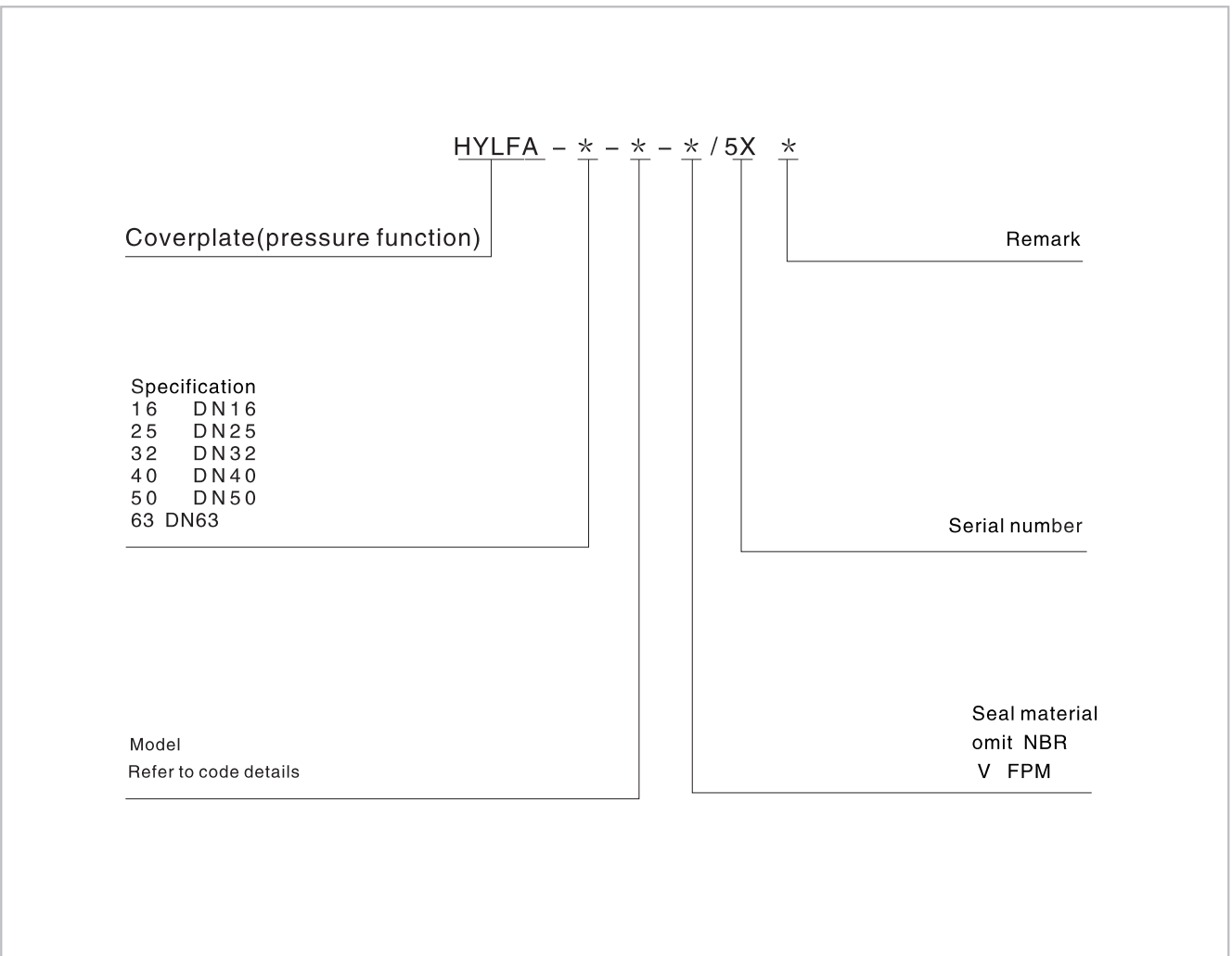
Technical data



Sise	16	25	32	40	50	63
Max working pressure (MPa)	31.5					
Working fluid	Mineral hydraulic oil; phosphate ester hydraulic oil					
Fluid temp (°C)	-20~70					
Fluid viscosity (mm ² /s)	-2.8~500					
Cleanliness	NAS1638 Class 9, recommended filtration precision Min β ≥75.					

HYLFA is to control the logic valve on/off, different coverplate can realize different fluid pressure.

Ordering code

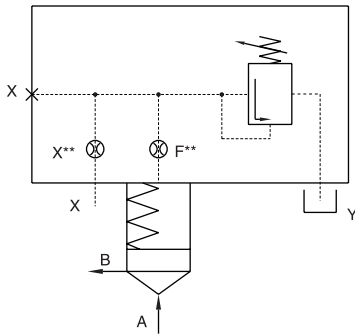


Coverplate(Pressure Function)

Ordering code

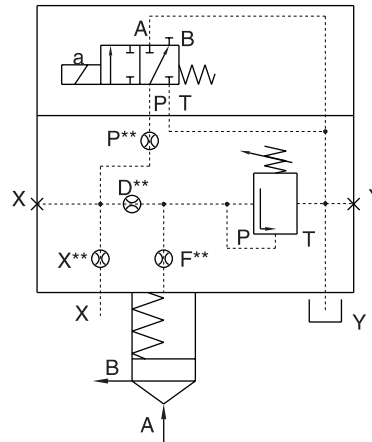
LFA...DB.-/..16...63

Control cover with manual pressure adjustment



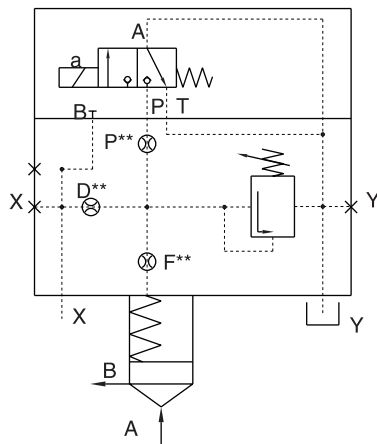
LFA...DBW.-/..16...63

Control cover with manual pressure adjustment, for electrical unloading
For mounting a directional spool or directional poppet valve



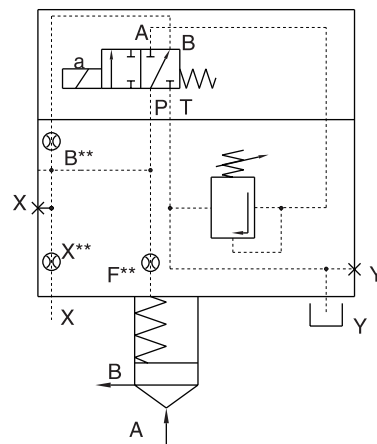
LFA...DBS.-/..16...63

Control cover with manual pressure adjustment, for electrical unloading
For mounting a directional poppet valve



LFA...DBWD.-/..16...63

Control cover with manual pressure adjustment, for isolation functions

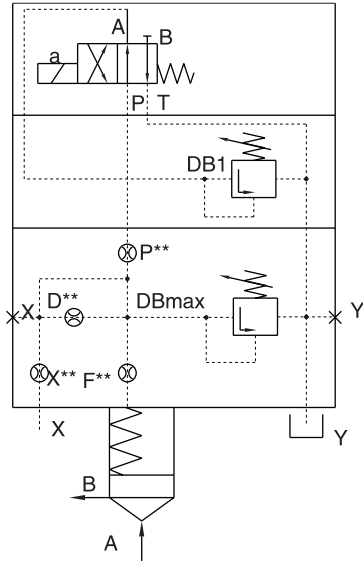


Coverplate (Pressure Function)

Function code

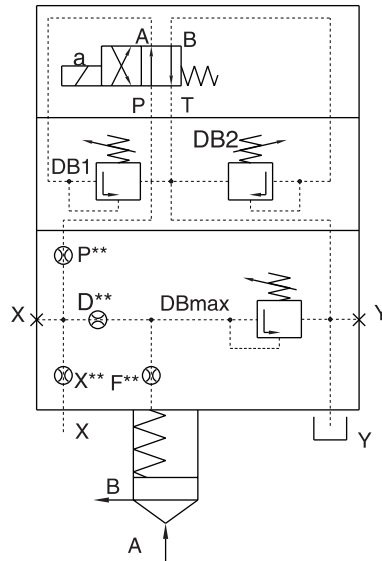
LFA...DBU 2A.-/..16...63

Control cover with 2 manual pressure adjusters, electrically selectable



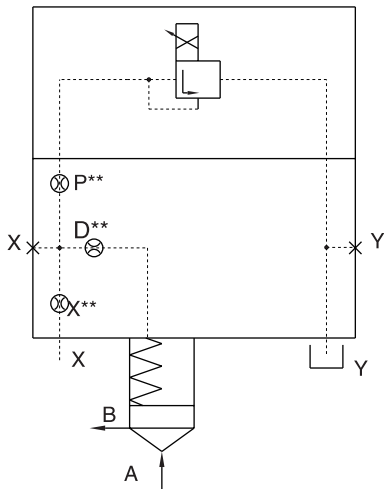
LFA...DBU 3D.-/..16...63

Control cover with 3 manual pressure adjusters, electrically selectable



LFA...DBU(TR).-/..16...63

Control cover for electrical-proportional pressure adjustment



LFA...DBEM(TR).-/..16...63

Control cover for electrical-proportional pressure adjustment, with maximum pressure limitation

