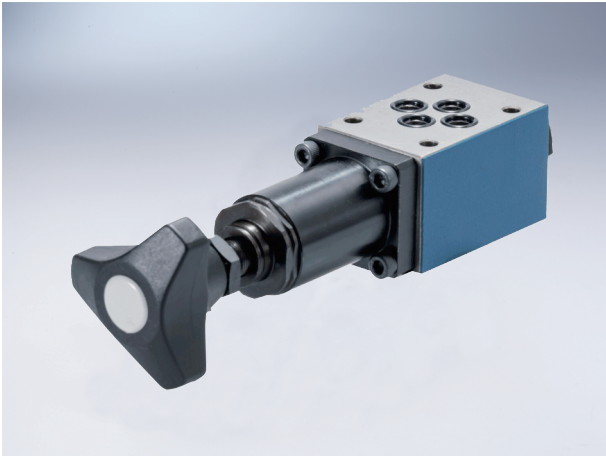


Modular Reducing Valve

Technical specification

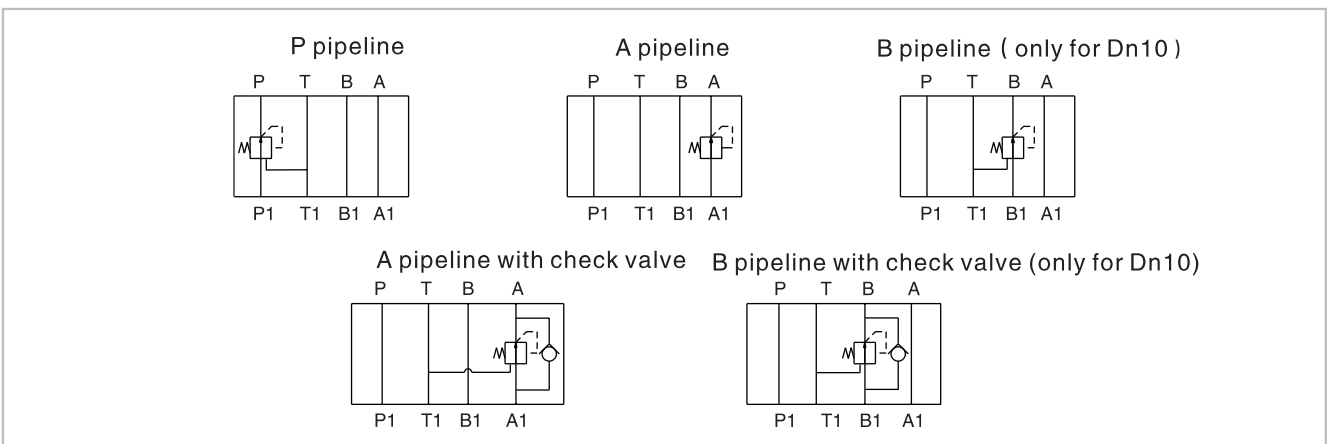


| Specification | | 6 | 10 |
|--------------------------------|--|--|----|
| Max working pressure (MPa) | Working pressure | 31.5 | |
| | Secondary pressure | To21 | |
| | Port T | To15 | |
| Max Flow (L/min) | | 50 | |
| Mounting location | | Any | |
| Working fluid | | Mineral hydraulic oil; phosphate ester hydraulic oil | |
| Fluid temp (°C) | | -20~70 | |
| Viscosity (mm ² /s) | | 10~800 | |
| Cleanliness | NAS1638 Class 9, recommended filtration precision Min $\beta_{10} \geq 75$. | | |

Ordering code

| Code | Remark |
|------|---|
| DYJ | Modular reducing valve |
| - | |
| * | Specification 02 DN6 03 DN10 |
| * | |
| - | |
| * | P P pipeline reducing A A pipeline reducing B B pipeline reducing (only for DN10) |
| * | |
| - | |
| * | 2.5 upto 2.5MPa 7.5 upto 7.5MPa 15 upto 15MPa 21 upto 21MPa |
| / | |
| * | Seal material omit NBR V FPM |
| 5X | 1 plastic handle 2 steel handle |
| * | Omit none D check valve |

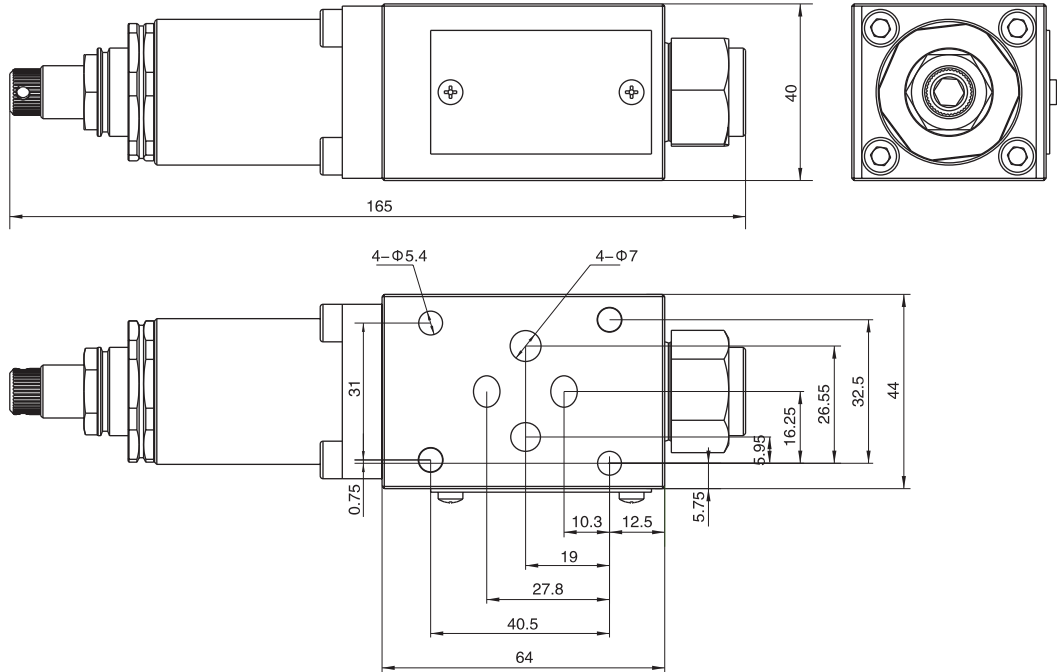
Hydraulic symbol



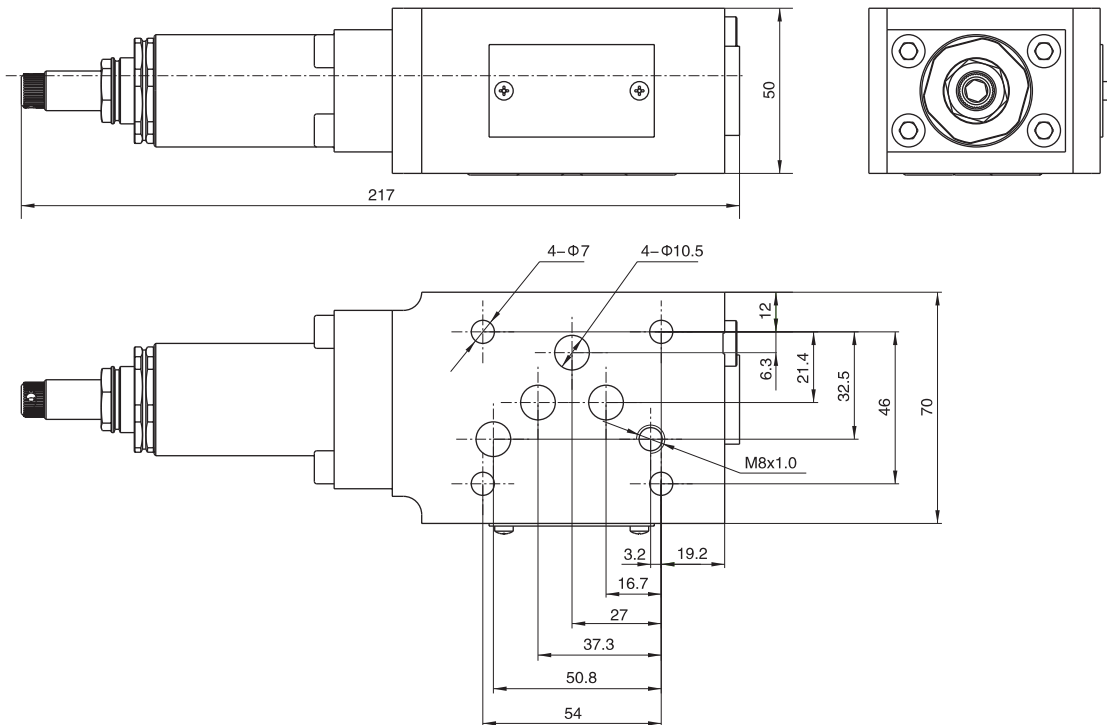
Modular Reducing Valve

Dimension

DYJ-02P、A



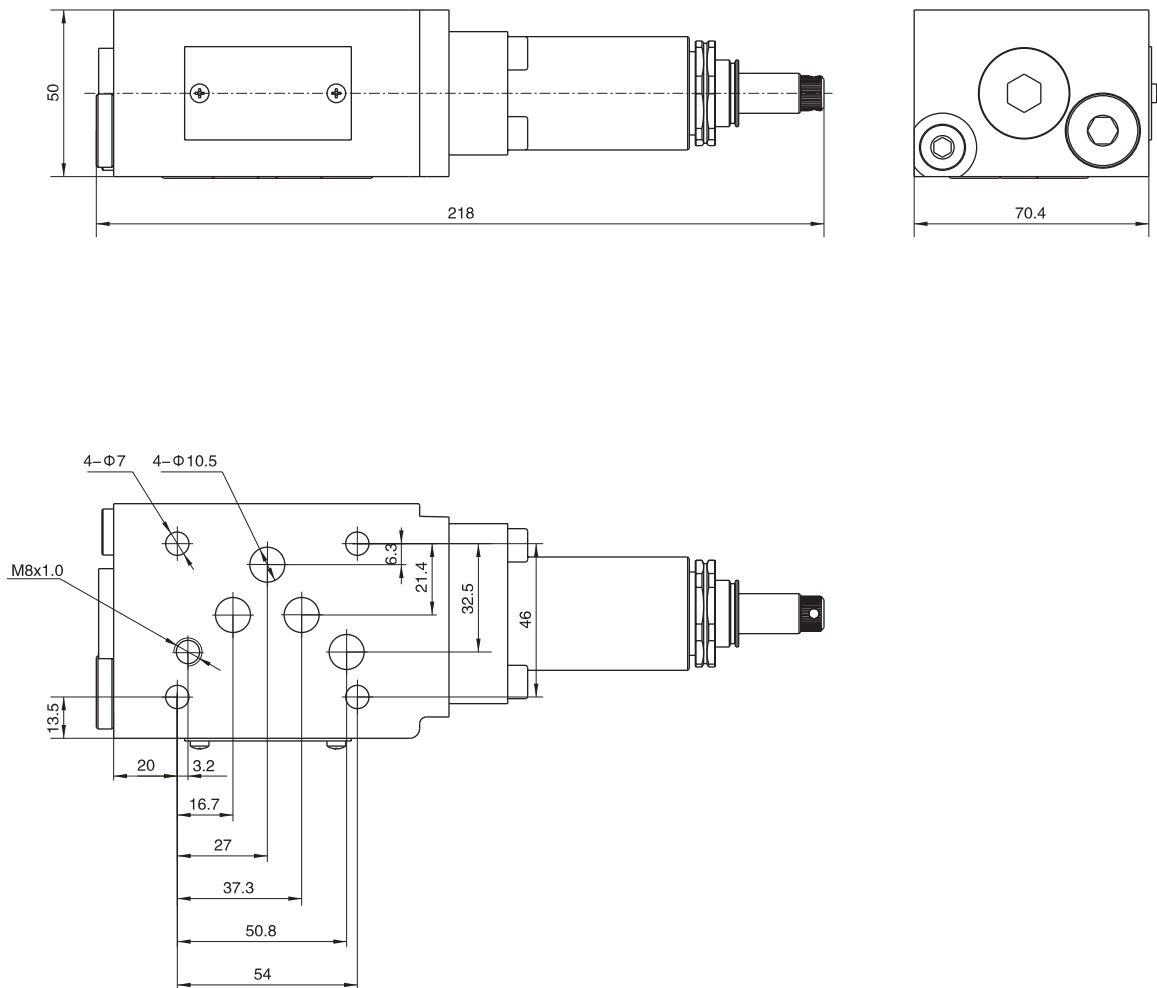
DYJ-03P、A



Modular Reducing Valve

Dimension

DYJ-03B



Note: The surface, connecting with the valve, should be Ra0.8 roughness, and 0.01/100mm flatness.