

SDCHENXUAN

A8088 SERIES ELECTRIC ACTUATOR

Product Introduction

A8088 actuator has two kinds of switching value (31) and analog value (32), which are matched with DN40 / DN50 / DN65 regulating valve. It is widely used in air conditioning, refrigeration, heating and building installation simple and fast automatic control systems, which can accurately adjust the medium flow in the system to achieve the purpose of controlling temperature, pressure and energy saving.

Product Features

- ◆ No connecting rod required, simple and quick installation
- ◆ Low energy consumption, maintenance-free
- ◆ Fail-safe position optional (when control signal is missing)
- ◆ DC0 (2) ~ 10V input signal (analog)
- ◆ DC2 ~ 10V feedback signal (analog)
- ◆ End point limit and manual switch
- ◆ Anti-corrosion design
- ◆ Precise valve positioning
- ◆ Stroke adaptive function (analog)

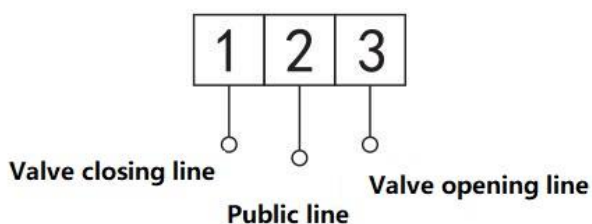


Technical Parameters

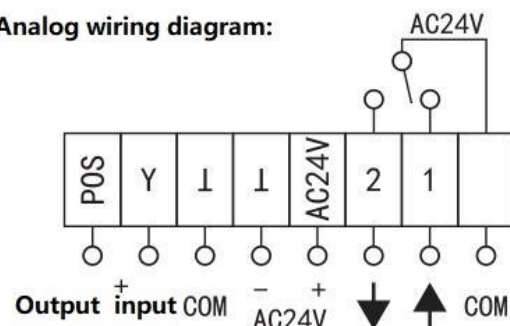
Electrical characteristics	AC24V 50/60Hz	Materials used	Gears: POM, nylon
Drive thrust	800 Newtons		Reducer lower plate: galvanized steel
power	Maximum 12VA (at AC24V)		Bracket: die-cast aluminum alloy
Effective itinerary	20/40mm		Shell: flame retardant ABS engineering plastic
journey time	When the frequency is 50Hz,114s When the frequency is 60Hz,95s	Temperature limit	Ambient temperature: -10 ~ 50 ° C Storage temperature: -40 ~ 50 ° C
Output resistance	1K Ω	humidity	1% ~ 95% RH non-condensing
Protection level	IP54	Fluid temperature	<150°C
weight	2.4kg	Body specifications	DN40 / DN50 / DN65 (regulating valve)

Wiring Diagram

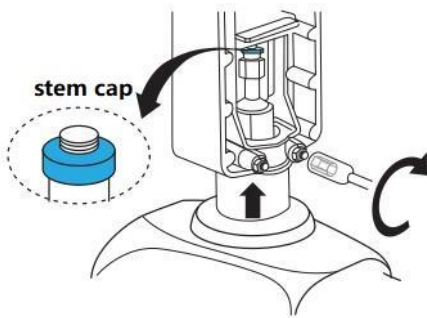
Switch type wiring diagram:



Analog wiring diagram:



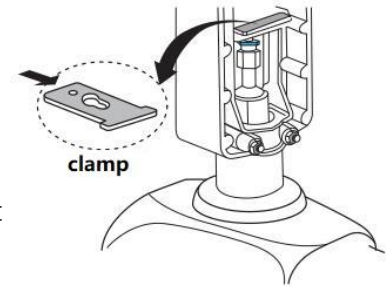
Product Installation



1. Put the driver into the upper neck of the valve body, Use a 4mm Allen wrench to tighten the set screw.
(Note: Fix the right screw first)
2. Push the fixed clamp from the spring-side to keep it pushed; Lift the stem cap, and install the stem cap head into the fixed clamp groove.

3. Loosen fixing clamp of the stem cap then tighten the stem cap; Check to make sure that the fixed clamp clamps the stem cap.

4. Unscrew the manual operational rotary button and then loosen the screw of the drive housing, Open the cover of the driver and connect the cables according to the wiring diagram.

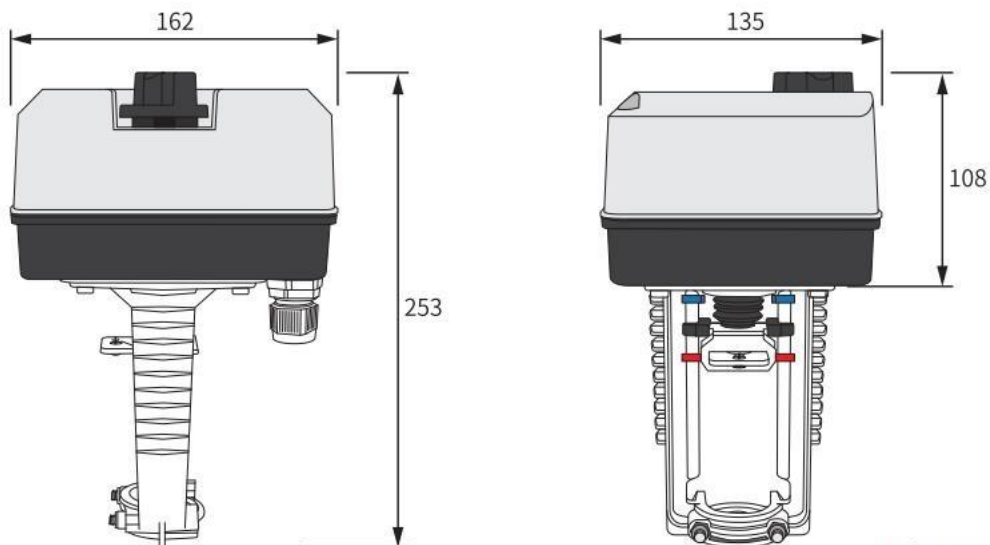


Product Operation

The drive is driven by a reversible synchronous motor with the valve stem up or down. When the valve can be fully opened or closed, a reaction force will be generated on the driver, the micro switch inside the driver will be de-energized, and the driver will stop working. Stop at any point steadily when there is no signal.

The signal sent by the incremental controller of the drive can make the motor rotate clockwise or counterclockwise.

Model Size



Precautions

- ◆ When repairing the driver, the power supply must be turned off to prevent damage to the machine parts or avoid electric leakage to cause casualties.
- ◆ When the power is connected, do not try to connect or disconnect the wire.
- ◆ The driver must be protected to prevent water leakage and damage to internal parts and motors.
- ◆ The driver should not be covered by thermal insulation material.