

Fan Coil Unit, 2-way, Internal thread

Type Overview

| Type | DN | Rp ["] | kvs [m ³ /h] | PN | Δps [kPa] |
|---------------|----|-----------|----------------------------|----|--------------|
| Z215S-24 | 15 | 1/2 | 1.7 | 20 | 414 |
| Z215S-230 | 15 | 1/2 | 1.7 | 20 | 414 |
| Z220S-24 | 20 | 3/4 | 2.2 | 20 | 344 |
| Z220S-230 | 20 | 3/4 | 2.2 | 20 | 344 |
| Z225S-24 | 25 | 1 | 2.6 | 20 | 303 |
| Z225S-230 | 25 | 1 | 2.6 | 20 | 303 |
| Z225S-230-80B | 25 | 1 | 6.5 | 20 | 138 |

Technical data

| | | |
|------------------------|-----------------------------------|--|
| Electrical data | Nominal voltage | AC 24 V (Z2..S-24) / 230 V (Z2..S-230) |
| | Nominal voltage note | ±10% |
| | Nominal voltage frequency | 50/60 Hz |
| | Power consumption in operation | 6.5 W |
| | Power consumption for wire sizing | 7 VA |
| | Connection supply / control | Cable 1 m, 2 x 0.75 mm ² |
| Functional data | Running time motor | 13...18 s |
| | Running time fail-safe | 4...5 s |
| | Fluid | Cold and hot water, water with max. 50% volume of glycol |
| | Fluid temperature | 0...93°C [32...199°F] |
| | Fluid temperature note | (non-freezing) |
| | Close-off pressure Δps | Refer to table above |
| | Pipe connection | Internal thread BSP |
| | Servicing | maintenance-free |
| Safety data | Ambient temperature | 0...50°C [32...122°F] |
| Materials | Valve body | Forged brass |
| | Spindle | Nickel-plated brass |

Safety notes


- This device has been designed for use in stationary heating, ventilation and air-conditioning systems and must not be used outside the specified field of application, especially in aircraft or in any other airborne means of transport.
- Only authorised specialists may carry out installation. All applicable legal or institutional installation regulations must be complied during installation.
- The device may only be opened at the manufacturer's site. It does not contain any parts that can be replaced or repaired by the user.
- The device contains electrical and electronic components and must not be disposed of as household refuse. All locally valid regulations and requirements must be observed.

Product features

- Mode of operation** The actuator consists of a synchronous motor with spring-return function, which is available in most common used voltages. The valve is normally closed. The valve body is made of forge brass. The actuator body consists of a stainless steel base plate with an ABS cover. The water is regulated with the use of a special rubber flap, which will close the valve air-bubble tight.
- Application** The Z..S-... Zone Valves are intended for the use in control terminal units such as fan-coil and VAV boxes in heating, ventilation and air-conditioning systems. The valves can be used with hot and cold water in the temperature range from 0°C (non-freezing) to 93°C.
- Manual override** Manual operation lever: Move the lever slowly and hold it in the retaining notch, then the valve is opened. The lever goes back to the automatic position when the valve is first powered on.
- Combination valve/actuator** Valve actuator can be easily detached by push lever. Installation or maintenance can be more flexible.

Electrical installation

AC 24...230 V

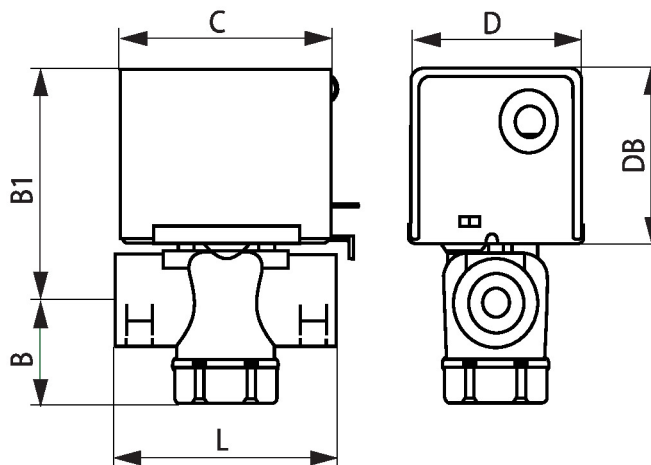



Installation notes

- Recommended installation positions** The valve should be mounted in a weather-protected area in a location that is within the ambient limits of the actuator. Allow sufficient room for actuator and service. The valve must be installed with the spindle above the horizontal level. The flow direction is indicated on the valve body. Do not reverse flow direction.

Dimensions

Dimensional drawings



| Type | DN | Rp ["] | L [mm] | B [mm] | C [mm] |  kg |
|---------------|----|-----------|-----------|-----------|-----------|---|
| Z215S-24 | 15 | 1/2 | 70 | 23 | 66 | 0.70 |
| Z215S-120 | 15 | 1/2 | 70 | 23 | 66 | 0.70 |
| Z215S-230 | 15 | 1/2 | 70 | 23 | 66 | 0.70 |
| Z220S-24 | 20 | 3/4 | 87 | 23 | 66 | 0.85 |
| Z220S-120 | 20 | 3/4 | 87 | 23 | 66 | 0.85 |
| Z220S-230 | 20 | 3/4 | 87 | 23 | 66 | 0.85 |
| Z225S-24 | 25 | 1 | 96 | 26 | 66 | 1.0 |
| Z225S-230 | 25 | 1 | 96 | 26 | 66 | 1.0 |
| Z225S-230-80B | 25 | 1 | 96 | 26 | 66 | 1.0 |