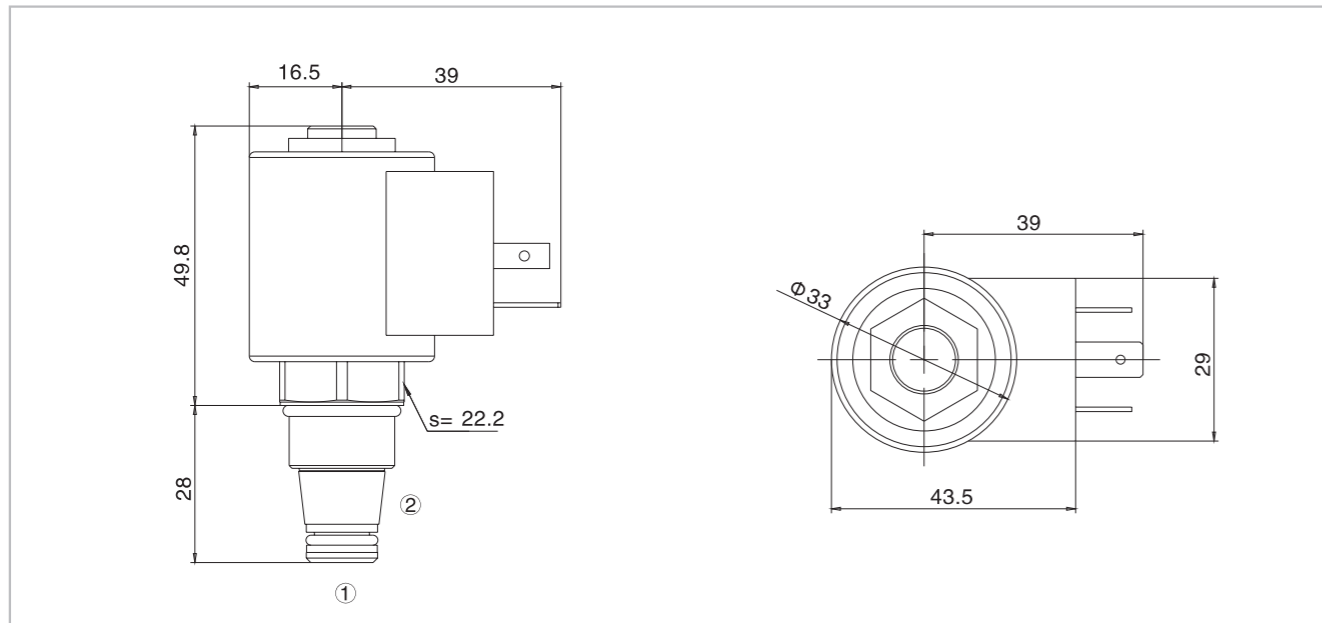
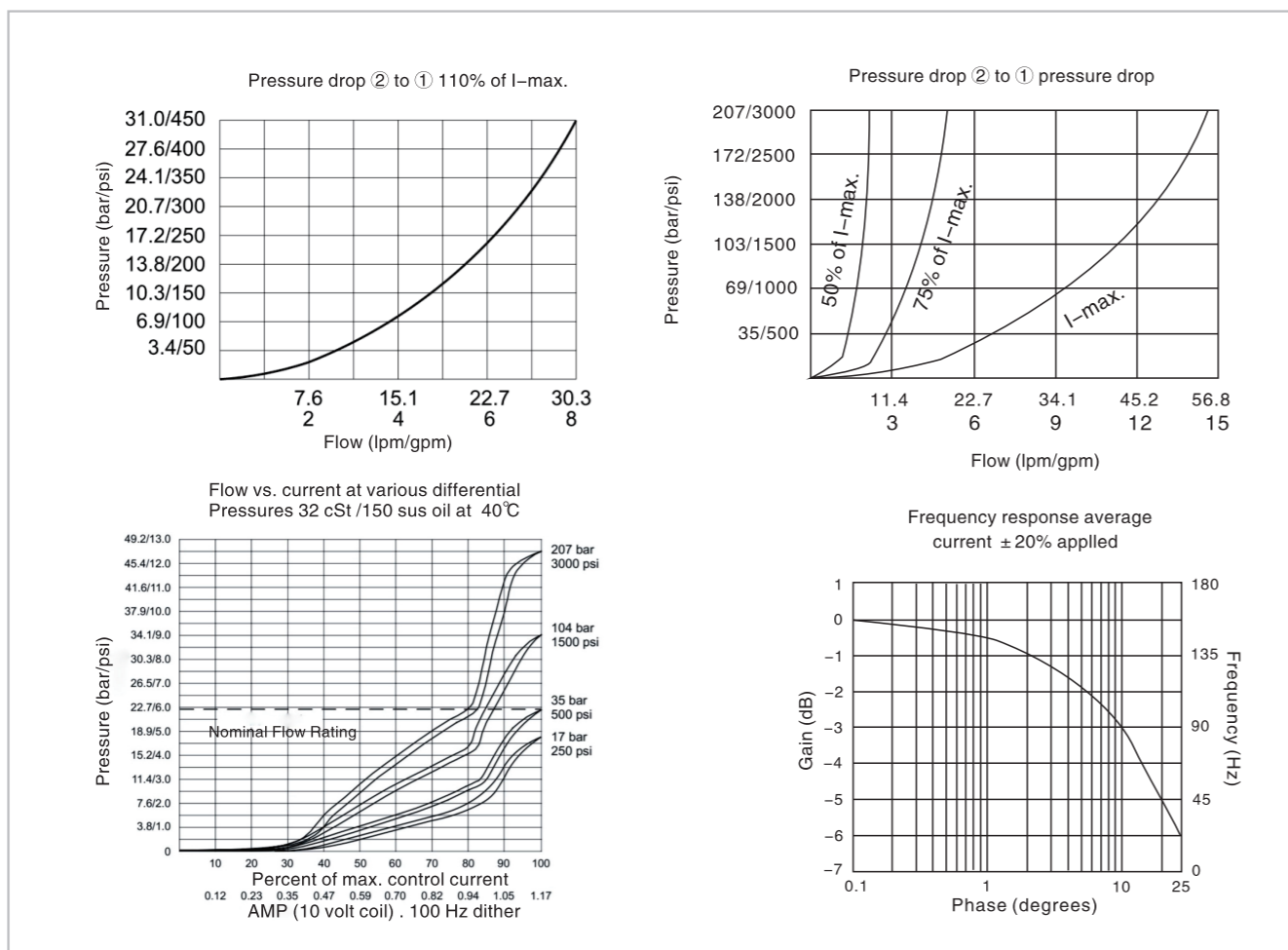


HY-SP08-20 (Poppet-type, 2-way, Normally Closed)

External dimensions



Specification performance



HY-SP08-21 (Poppet-type, 2-way, Normally Open)

Introduction



Description:
A solenoid-operated, 2-way, normally open, poppet-type, proportional, screw-in hydraulic cartridge valve for low-leakage load-holding applications, and for starting or stopping a load or a pump system.

Operation:
When de-energized, the HY-SP08-21 allows flow from ② to ①. When the valve is partially energized, the valve begins to throttle the flow from ② to ①. When fully energized, the poppet closes on the seat, blocking flow from ② to ①. Flow from ① to ② will occur when hydraulic pressure exceeds the solenoid force.

Technical specification (for application beyond these parameters, please contact with us)

Model	HY-SP08-21
Installation position	Unlimited
Storage temperature (°C)	-20°C To +55°C
Ambient temperature (°C)	-20°C To +50°C

Hydraulic specification

Operating pressure	207 Bar (3000 psi)
Flow	0 To 22.7 Lpm (0 to 6 gpm)
Minimum operating Dither/ pulse frequency	70 Hz
Hydraulic fluid	Mineral oil, phosphate-ester
Fluids	7.4~420 cSt (50~2000 sus)
Temperature	-40°C~+140°C, With NBR seals
Cavity	HY08-2, see page H.1.2
Internal leakage	5 Drops/minute max. at 207 bar (3000 psi)

Electrical specification

Max. control current	12 VDC coils: 1.0 ± 0.1A; 24 VDC coils: 0.5 ± 0.05A
----------------------	--

HY-SP08-21 (Poppet-type, 2-way, Normally Open)

Model instruction

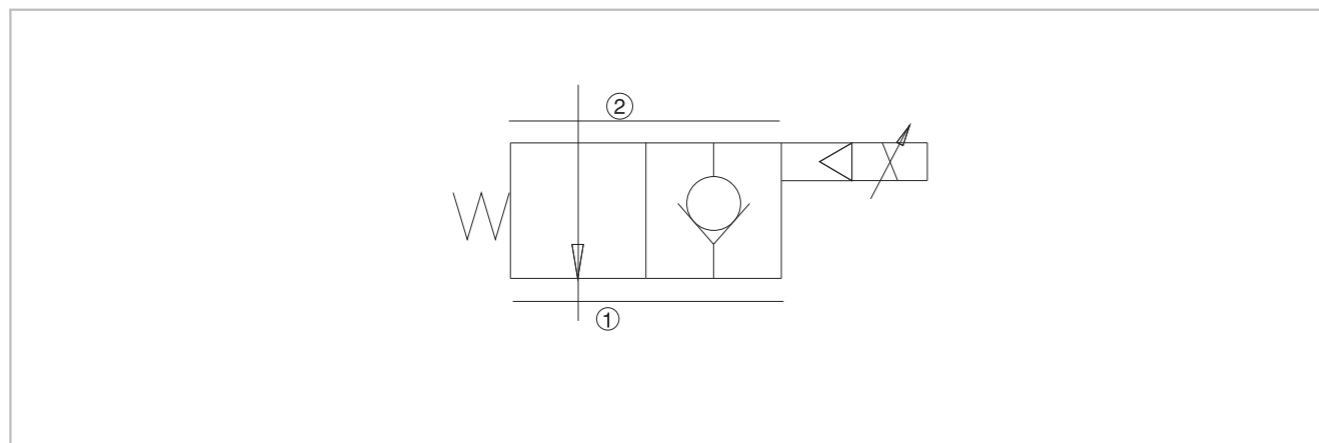
HY-SP08-21 - * - * - * *

Poppet-type, 2-way, Normally open

Std. coil termination (VDC)
 DG DIN 43650
 ER Deutsch DT04-2P

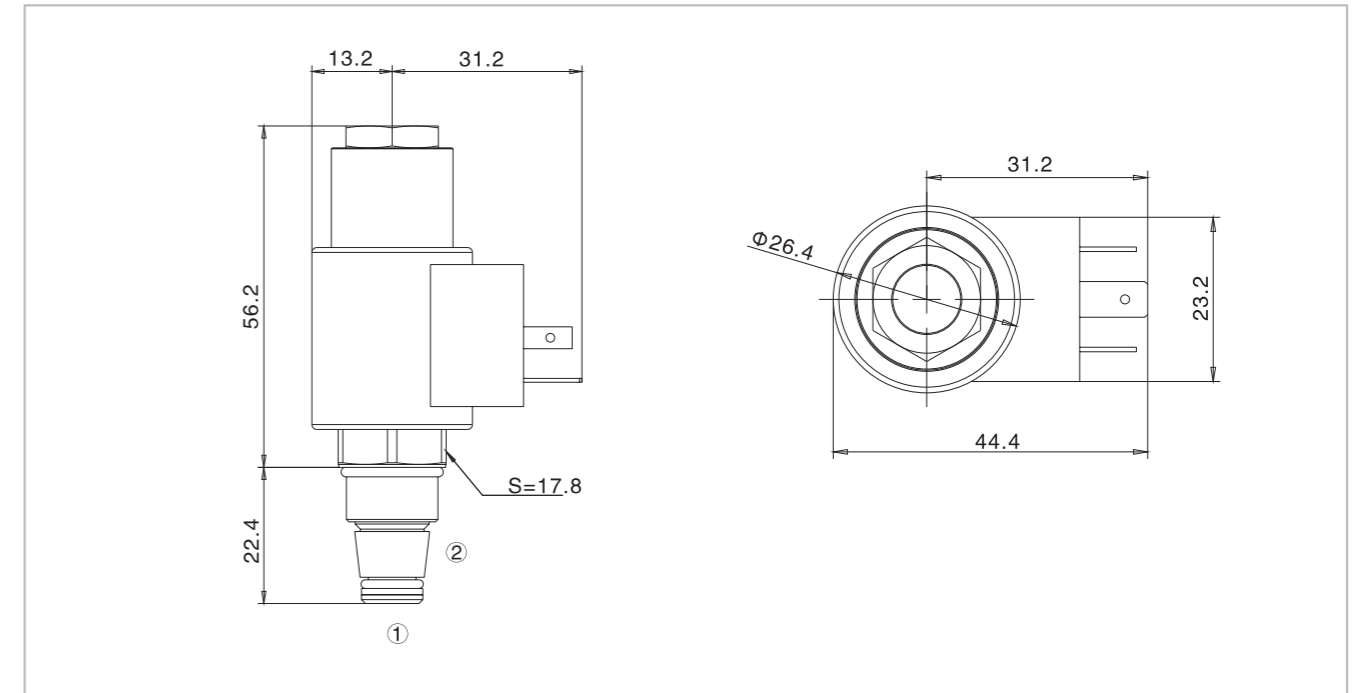
Porting		Voltage		Seals	
0	Cartridge only	0	Less coil	N	NBR Seals
4T	SAE	12	12 VDC	V	FPM Seals
6T	SAE6	24	24 VDC		
8T	SAE8				
2B	1/4 in. BSP*				
3B	3/8 in. BSP*				

Code symbol



HY-SP08-21 (Poppet-type, 2-way, Normally Open)

External dimensions



Specification performance

