

HYSV12-21 (2/2 Solenoid Valve,Normally Open)

Description

A solenoid operated, 2-way, 2-position, normally open, poppet-type cartridge valve.

Operation

When de-energized, the valve allows aflow from ② to ①, Flow from ① to ② is severely restricted in this mode. When energized the valve's poppet closes on its seat, blocking flow from ② to ①. The cartridge will allow ① to ② flow after overcoming the solenoid force.

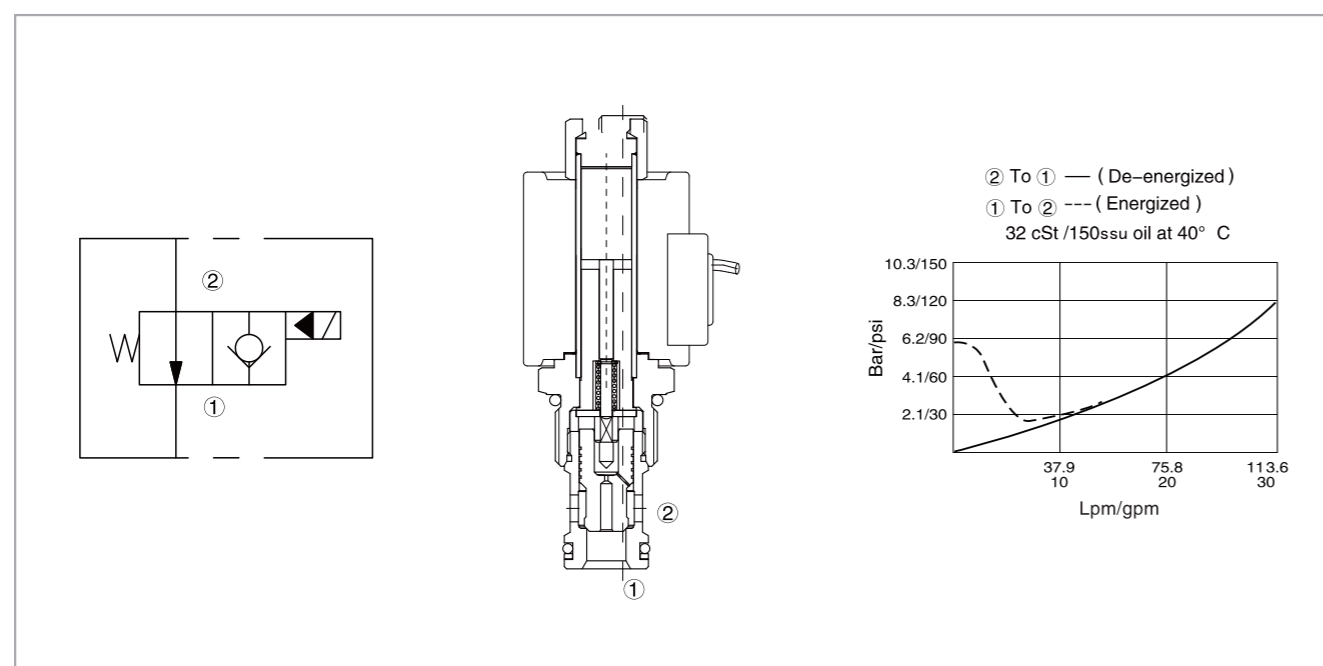
Operation of manual override option

To override, push button in to activate. To return to normal valve function, release button.

Specifications

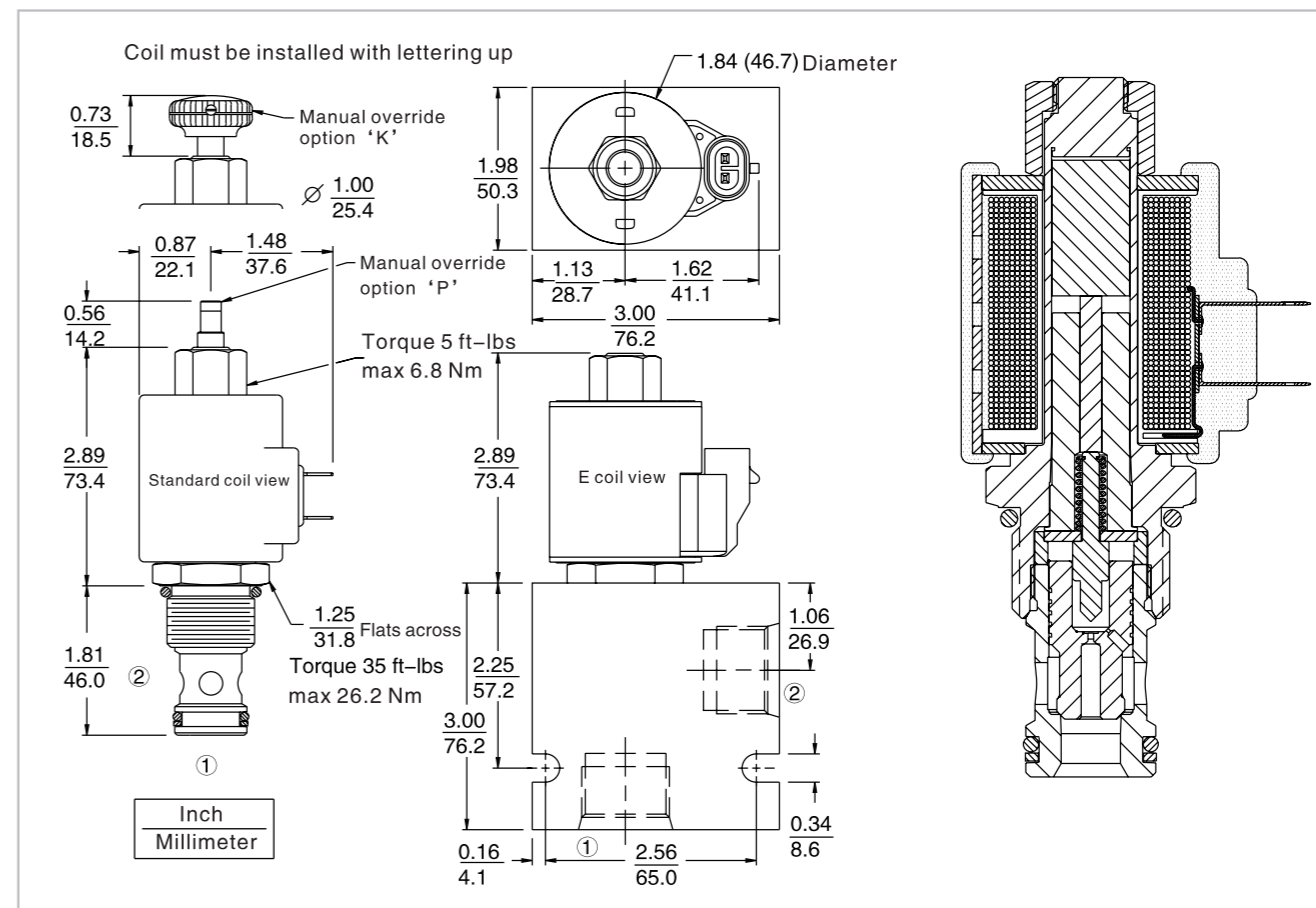
Max. operating pressure:	207 Bar
Flow:	See pressure drop vs.flow graph
Internal leakage:	3 Drops/min.max.at 207 bar
Temperature:	(-40°C To +120°C) with NBR material seals
Coil duty rating:	Continuous from 85% to 115% of nominal voltage
Fluids:	Mineral-based fluids with viscosities of 7.4 to 420 cSt.
Cavity:	HY12-2,see page H.1.5
Body material:	6061-T6 Aluminum alloy rated to 207 bar, steel & ductile iron rated to 350 bar

Code symbol , profile and pressure drop vs.flow



HYSV12-21 (2/2 Solenoid Valve,Normally Open)

External dimensions



Material science and order model

Cartridge: weight: 0.25 kg (0.55 lb); Steel, the working face is duratected Surcace zine-plated; NBR material sealing and check ring (standard).

Block:weight :0.57 kg (1.25 lb); High-strength performance aluminum alloy with anodic oxidation; #6061 T6; Rated pressure up to 240 bar (3500 psi); Also available with ductile cast iron and steel material; Size might be different,please consult factory.

Standard coil:weight:0.27 kg (0.60 lb); Heat-wrappinf pack, Class H heat-resistant enamelled wire;

E type coil:weight :0.41 kg (0.9 lb); Soid metallic shell encapsulated; IP 69K rated,integrated connector.

Option	Porting	Seals	Voltage std.coil	Termination std.coil (VDC)
None (Blank)	Cartridge only 0	Buna (Std.) N	0 Less coil**	DS Dual spades
Manual override W/o knob P	SAE 10 10T	Fluorocarbon V	10 10 VDC †	DG DIN 43650
Manual override W/knob K	SAE 12 12T		12 12 VDC	DL Leadwire (2)
	SAE 16 16T		24 24 VDC	DL/W Leadwire,lead w/weatherpak®connectors
	3/4 Inch BSP* 6B		36 36 VDC	DR Deutsch DT04-2P
	1 Inch BSP* 8B		48 48 VDC	Termination std.coil (VAC)
			24 24 VAC	AG DIN 43650
			115 115 VAC	AP 1/2 inch conduit
			230 230 VAC	E type coil termination (VDC)
				ER Deutsch DT04-2P (IP69K rated)
				EL Leadwire (2)
				EY Metri-Pack® 150 (IP69K rated)

** Includes std.coil nut
 † DS, DW or DL terminations only

Coils with internal diode are available,please consult factory.