

# HYSV08-24 (2/2 Solenoid Valve, Non-return Type)

## Description

A solenoid operated, 2-way, 2-position, normally closed, spool-type cartridge valve.

## Operation

When de-energized, the valve blocks flow in both directions. When energized, the cartridge's spool shifts to allow flow in both directions.

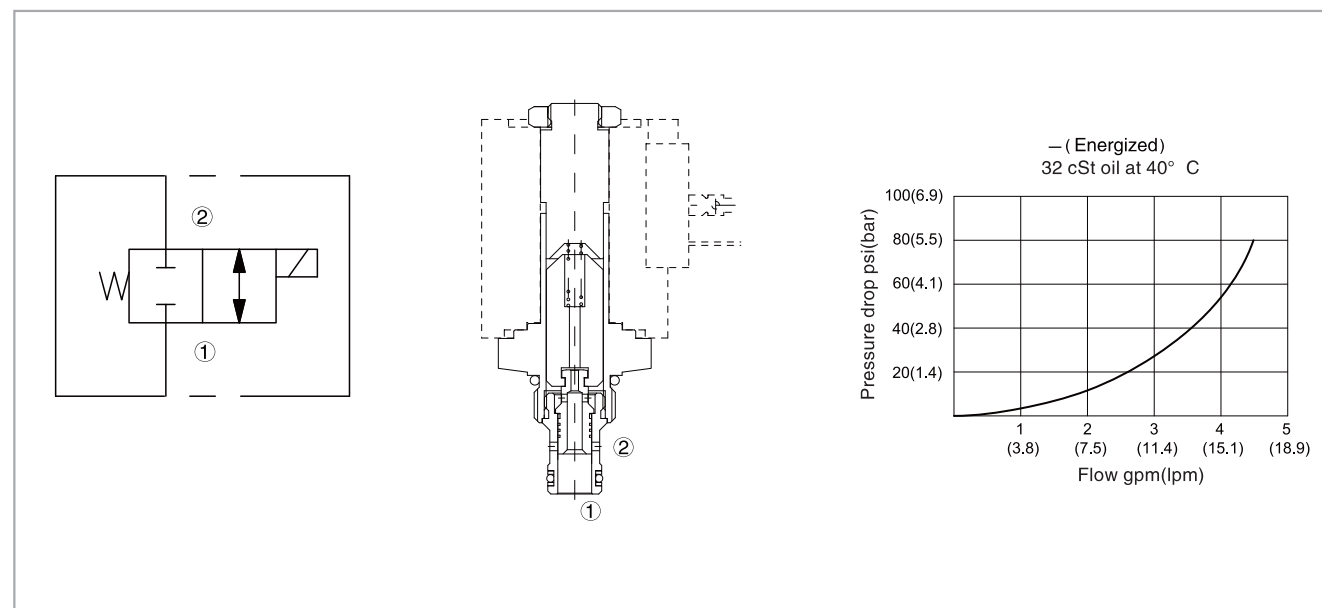
## Operation of manual override option

To override, push button in, twist counterclockwise 180° and release. In this position, the valve will remain open in a detented condition. To return to normal operation, push button in, twist clockwise 180° and release. Override will be detented in this position.

## Specifications

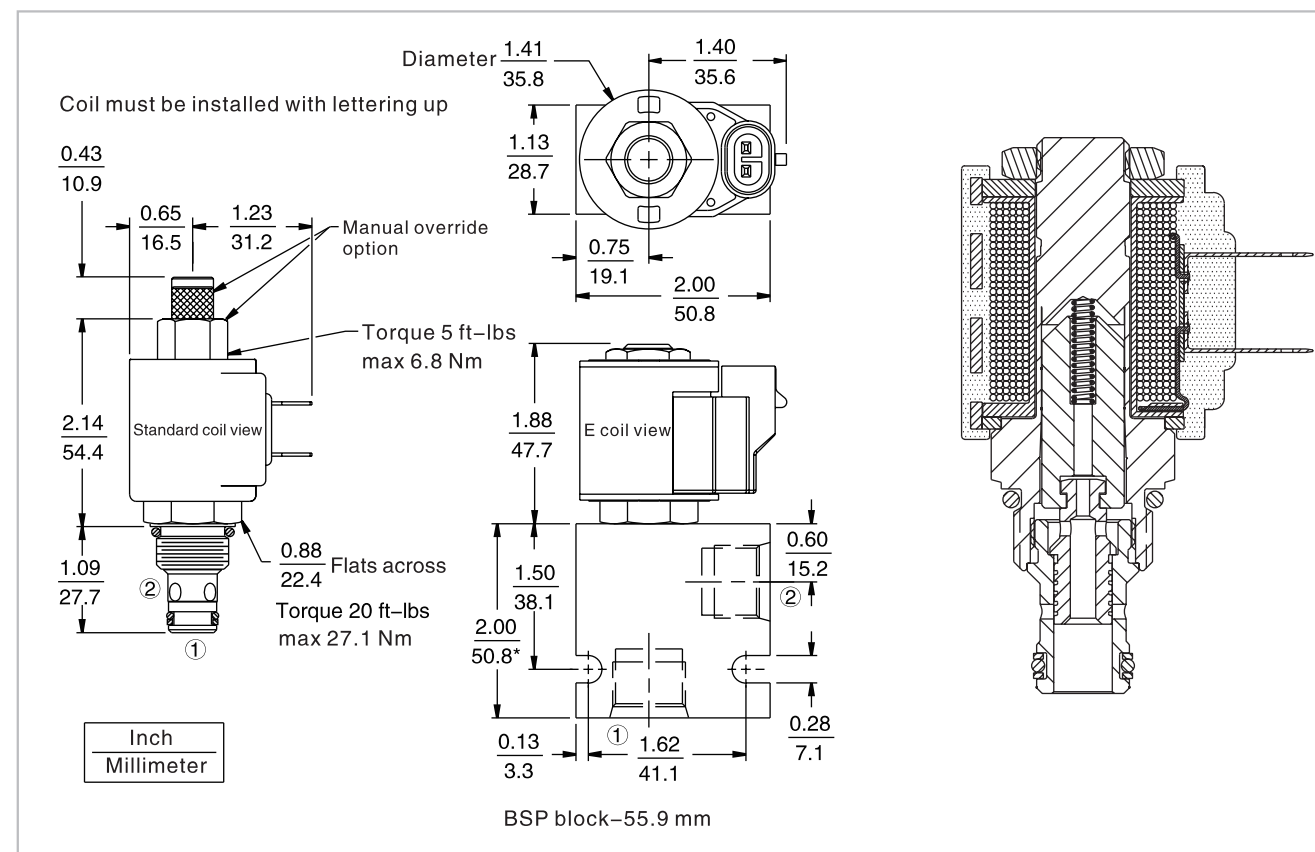
|                          |  |
|--------------------------|--|
| Max. operating pressure: | 207 Bar  |
| Flow:                    | See pressure drop vs. flow graph   |
| Internal leakage:        | 82 cc/min. max. at 207 bar   |
| Temperature:             | (-40°C To +120°C) with NBR material seals                                      |
| Coil duty rating:        | Continuous from 85% to 115% of nominal voltage                                 |
| Fluids:                  | Mineral-based fluids with viscosities of 7.4 to 420 cSt.                       |
| Cavity:                  | HY08-2, see page H.1.2   |
| Body material:           | 6061-T6 Aluminum alloy rated to 207 bar, steel & ductile iron rated to 350 bar |

## Code symbol, profile and pressure drop vs. flow



# HYSV08-24 (2/2 Solenoid Valve, Non-return Type)

## External dimensions



## Material science and order model

Cartridge: weight: 0.09 kg (0.2 lb); HYSV08-24  
Steel, the working face is duratected  
Surface zinc-plated;  
NBR material sealing and  
check ring (standard).

Block: weight: 0.16 kg (0.35 lb);  
High-strength performance aluminum  
alloy with anodic oxidation;  
#6061 T6;

Rated pressure up to 240 bar (3500 psi);  
See 8.008.1. Also available with ductile  
cast iron and steel material;  
Size might be different, please consult factory.

Standard coil: weight: 0.11 kg (0.25 lb);  
Heat-wrapping pack, Class H  
heat-resistant enamelled wire;  
See 3.200.1.

E type coil: weight: 0.14 kg (0.3 lb);  
Soid metallic shell encapsulated;  
IP 69K rated, integrated connector.  
Note: regarding all new application for  
E type coil, please refer to 3.400.1.

| Option            | Termination std. coil (VDC)                                      |
|-------------------|--|
| None (Blank)      | DS Dual spades   |
| Manual override M | DG DIN 43650   |
| screen S          | DL Leadwire (2)  |
|                   | DL/W Leadwire, lead w/weatherpak® connectors                     |
|                   | DR Deutsch DT04-2P   |
|                   | Termination std. coil (VAC)                                      |
|                   | AG DIN 43650   |
|                   | AP 1/2 inch conduit  |
|                   | E type coil termination (VDC)                                    |
|                   | ER Deutsch DT04-2P (IP69K rated)                                 |
|                   | EY Metri-Pack® 150 (IP69K rated)                                 |
|                   | Coils with internal diode are available, please consult factory. |

| Porting          | Voltage std. coil                |
|------------------|----------------------------------|
| Cartridge only 0 | 0 Less coil**                    |
| SAE 4 4T         | 10 10 VDC †                      |
| SAE 6 6T         | 12 12 VDC                        |
| SAE 8 8T         | 24 24 VDC                        |
| 1/4 Inch BSP* 2B | 36 36 VDC                        |
| 3/8 Inch BSP* 3B | 48 48 VDC                        |
| 1/2 Inch BSP* 4B | 24 24 VAC                        |
|                  | 115 115 VAC                      |
|                  | 230 230 VAC                      |
|                  | ** Includes std. coil nut        |
|                  | † DS, DW or DL terminations only |

| Seals          | E type coil |
|----------------|-------------|
| Buna (Std.) N  | 10 10 VDC   |
| Fluorocarbon V | 12 12 VDC   |
|                | 20 20 VDC   |
|                | 24 24 VDC   |