

HYSV10-34 (3/2 Solenoid Valve, Spool Tyle)

Description

A solenoid operated, 3-way, 2-position, spool-type cartridge valve.

Operation

When de-energized, the valve allows flow ② to ①, while blocking flow at ③. When energized, the cartridge's spool shifts to allow flow ② to ③, while blocking flow at ①.

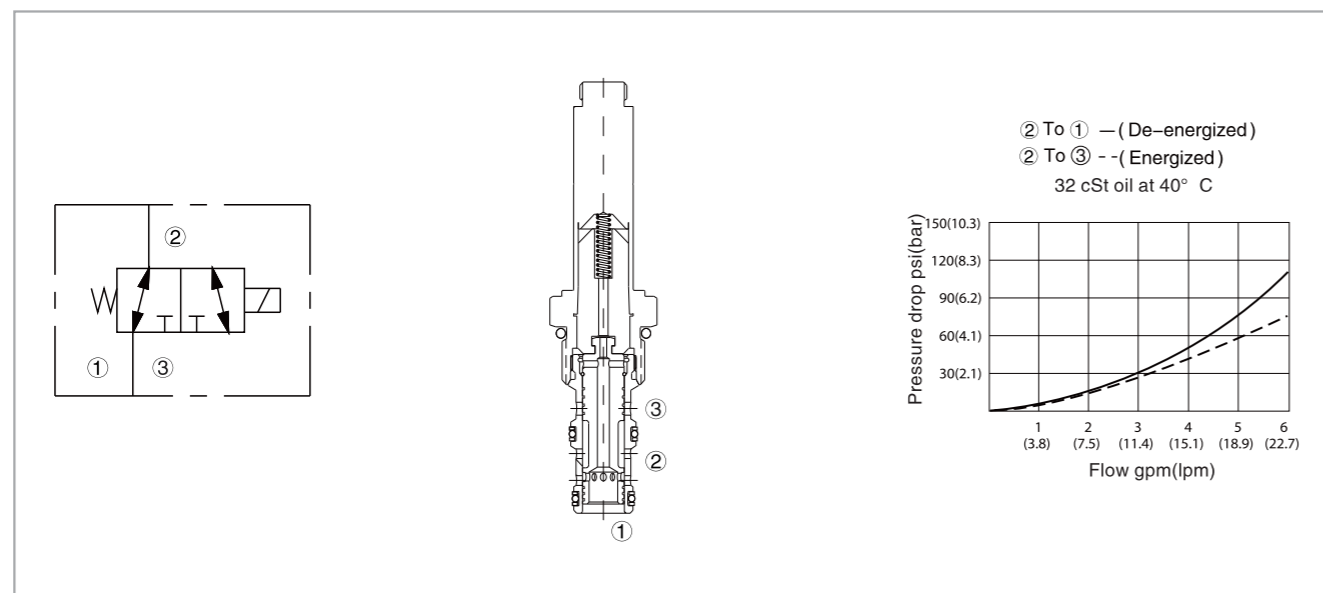
Operation of manual override option

To override, push button in, twist counterclockwise 180° and release. In this position, valve will remain detented in the shifted condition. To return to normal operation, push button in, twist clockwise 180° and release. Override will be detented in this position.

Specifications

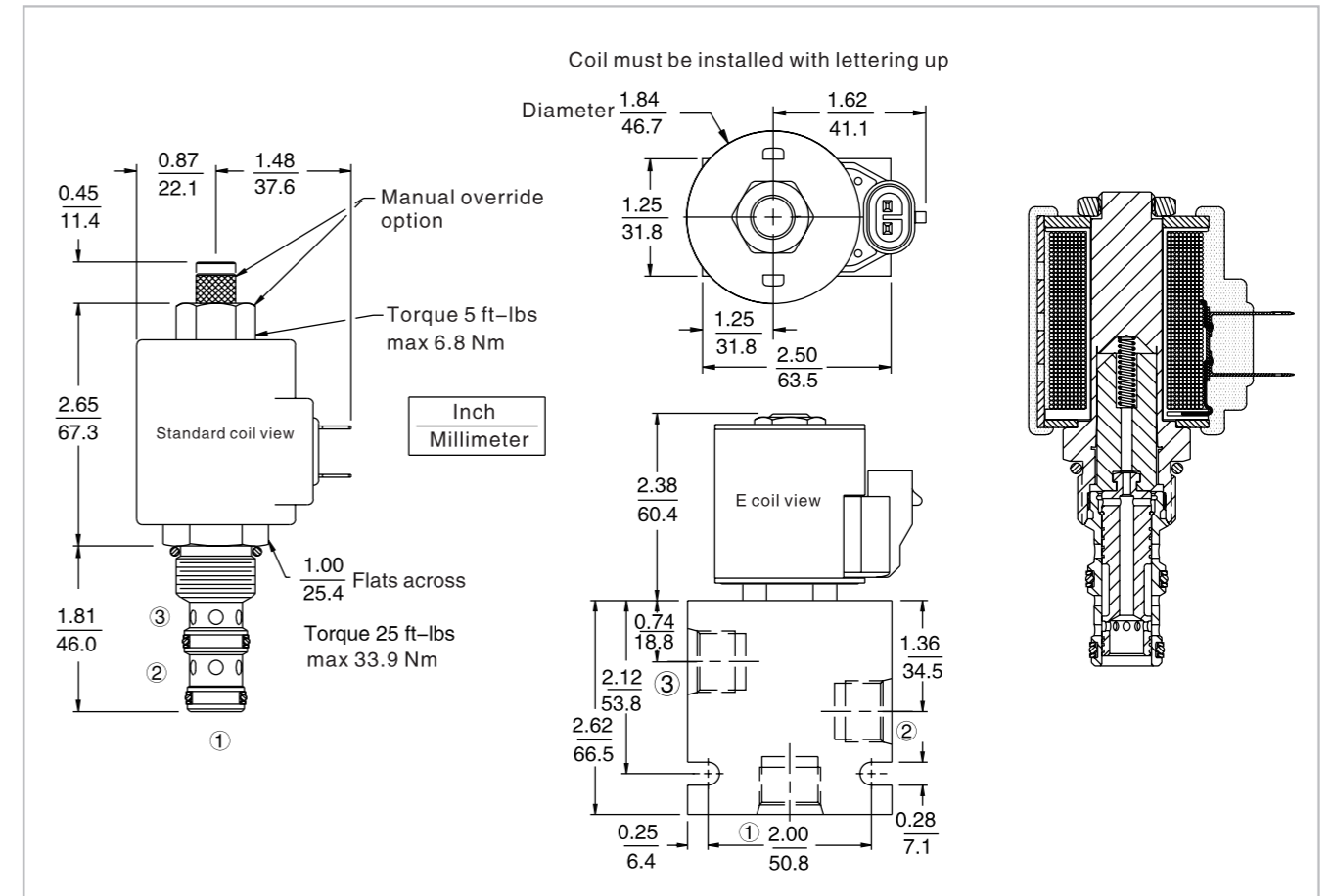
Max. operating pressure:	207 Bar
Flow:	See pressure drop vs. flow graph
Internal leakage:	(Per land) 115 cc/min. max. at 207 bar
Temperature:	(-40°C To +120°C) with NBR material seals
Coil duty rating:	Continuous from 85% to 115% of nominal voltage
Fluids:	Mineral-based fluids with viscosities of 7.4 to 420 cSt.
Cavity:	HY10-3, see page H.1.4
Body material:	6061-T6 Aluminum alloy rated to 207 bar, steel & ductile iron rated to 350 bar

Code symbol, profile and pressure drop vs. flow



HYSV10-34 (3/2 Solenoid Valve, Spool Tyle)

External dimensions



Material science and order model

Cartridge: weight: 0.14 kg (0.30 lb); Steel, the working face is duratected Surcace zine-plated; NBR material sealing and check ring (standard).

Block: weight: 0.36 kg (0.80 lb); High-strength performance aluminum alloy with anodic oxidation; #6061 T6; Rated pressure up to 240 bar (3500 psi); Also available with ductile cast iron and steel material; Size might be different, please consult factory.

Standard coil: weight: 0.27kg (0.60 lb); Heat-wrappinf pack, Class H heat-resistant enamelled wire; See 3.200.1.

E type coil: weight: 0.41 kg (0.9 lb); Soid metallic shell encapsulated; IP 69K rated, integrated connector.

Option	Porting	Seals	Voltage std.coil	Termination std.coil (VDC)
None (Blank)	Cartridge only 0	Buna (Std.) N	0 Less coil**	DS Dual spades
Manual override M	SAE 6 6T	Fluorocarbon V	10 10 VDC †	DG DIN 43650
Manual override Y	SAE 8 8T		12 12 VDC	DL Leadwire (2)
Manual override J	1/4 Inch BSP* 2B		24 24 VDC	DL/W Leadwire, lead w/weatherpak® connectors
	3/8 Inch BSP* 3B		36 36 VDC	DR Deutsch DT04-2P
	1/2 Inch BSP* 4B		48 48 VDC	Termination std.coil (VAC)
			24 24 VAC	AG DIN 43650
			115 115 VAC	AP 1/2 inch conduit
			230 230 VAC	E type coil termination (VDC)
			** Includes std.coil nut † DS, DW or DL terminations only	
			E type coil	ER Deutsch DT04-2P (IP69K rated)
			10 10 VDC	EL Leadwire (2)
			12 12 VDC	EY Metri-Pack® 150 (IP69K rated)
			20 20 VDC	
			24 24 VDC	

Coils with internal diode are available, please consult factory.