

HYSV07-35 (3/2 Solenoid Valve, Spool Tyle)

Description

A solenoid operated, 3-way, 2-position, spool-type cartridge valve.

Operation

When de-energized, the valve allows flow ③ to ②, while blocking flow at ①. When energized, the cartridge's spool shifts to allow flow ① to ②, while blocking flow at ③.

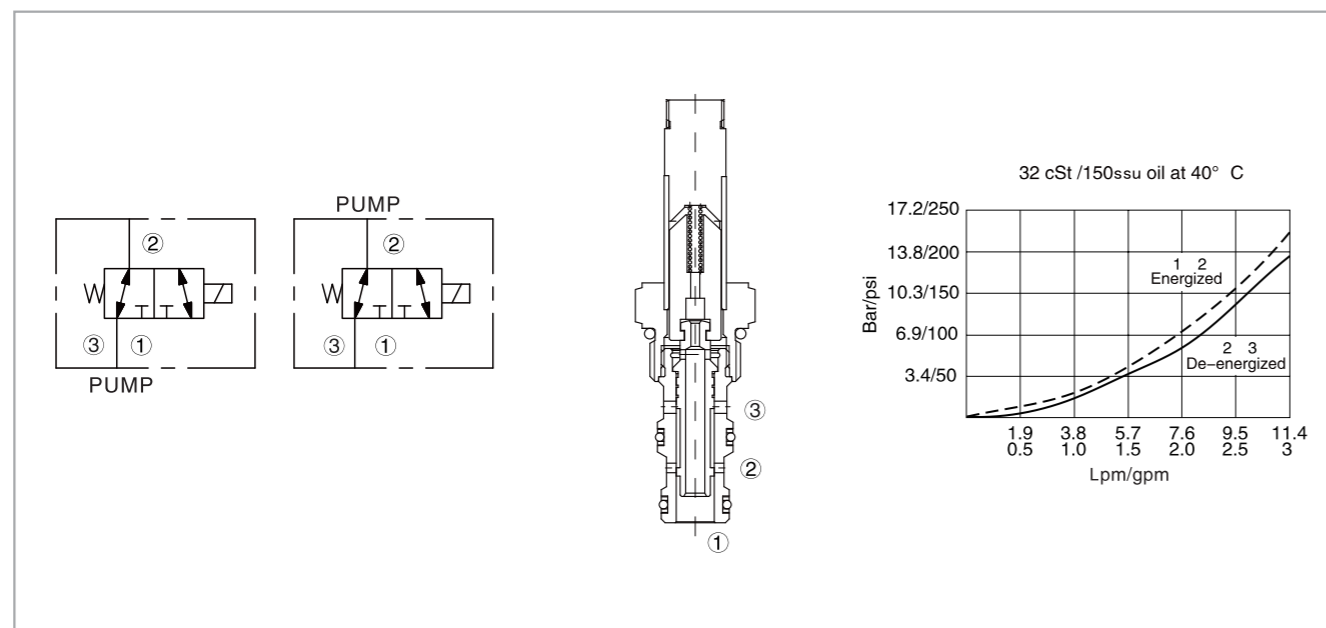
Operation of manual override option

To override, push button in, twist counterclockwise 180° and release. In this position, valve will remain detented in the shifted condition. To return to normal operation, push button in, twist clockwise 180° and release. Override will be detented in this position.

Specifications

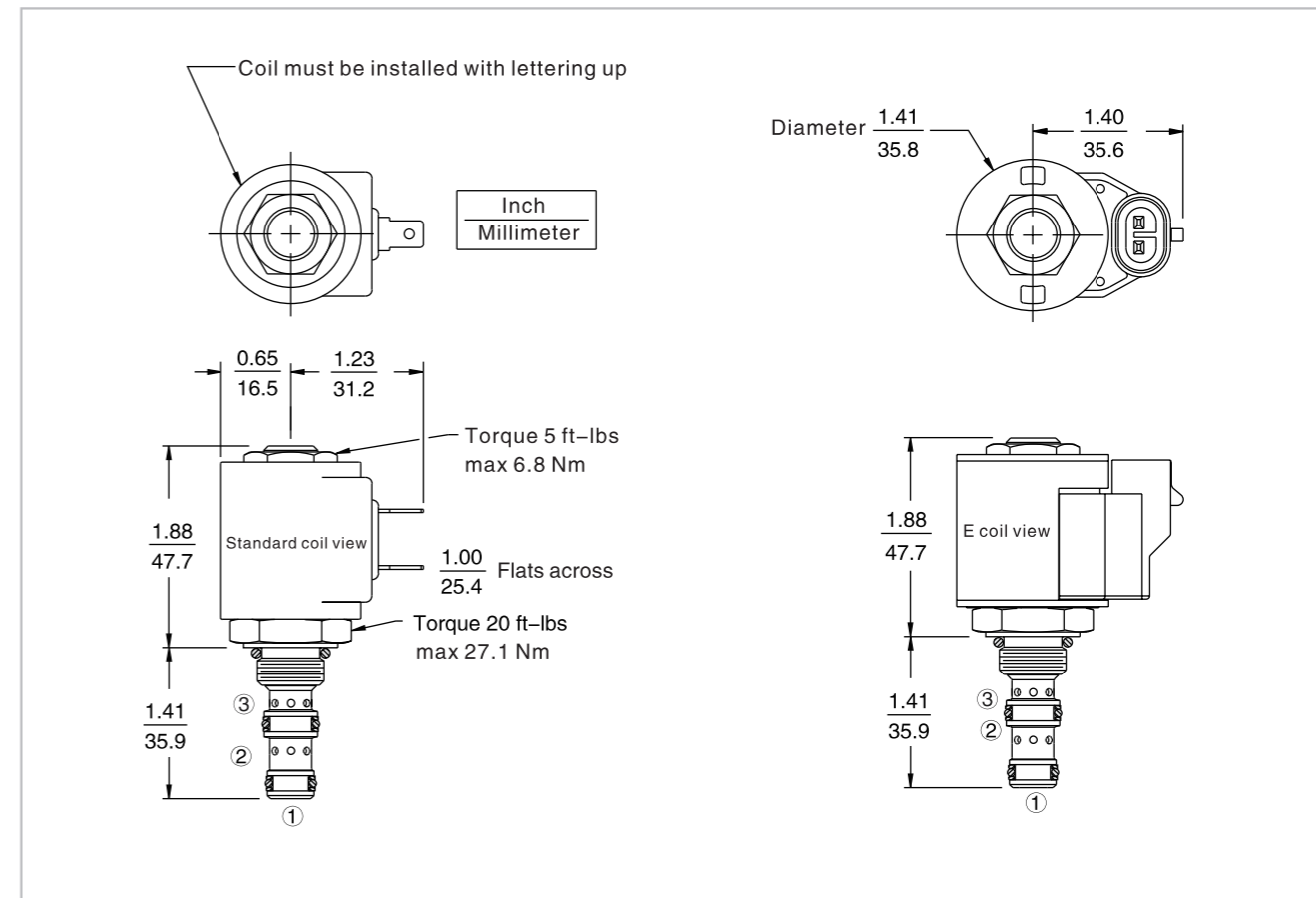
| | |
|--------------------------|--|
| Max. operating pressure: | 207 Bar |
| Flow: | See pressure drop vs. flow graph |
| Internal leakage: | (Per land) 41 cc/min. max. at 207 bar |
| Temperature: | (-40°C To +120°C) with NBR material seals |
| Coil duty rating: | Continuous from 85% to 115% of nominal voltage |
| Fluids: | Mineral-based fluids with viscosities of 7.4 to 420 cSt. |
| Cavity: | HY08-3, see page H.1.2 |
| Body material: | 6061-T6 Aluminum alloy rated to 207 bar, steel & ductile iron rated to 350 bar |

Code symbol, profile and pressure drop vs. flow



HYSV07-35 (3/2 Solenoid Valve, Spool Tyle)

External dimensions



Material science and order model

Cartridge: weight: 0.09 kg (0.20 lb); Steel, the working face is duratected Surcace zine-plated; NBR material sealing and check ring (standard).

Block: weight: 0.11 kg (0.25 lb); High-strength performance aluminum alloy with anodic oxidation;

Also available with ductile cast iron and steel material; Size might be different, please consult factory. Standard coil: weight: 0.27kg (0.60 lb); Heat-wrappinf pack, Class H heat-resistant enamelled wire; See 3.200.1.

E type coil: weight: 0.14 kg (0.3 lb); Soid metallic shell encapsulated; IP 69K rated, integrated connector. Note: regarding all new application for E type coil, please refer to 3.400.1.

| Option | Porting | Seals | Voltage std.coil | Termination std.coil (VDC) |
|--------------|---------|-------|----------------------------------|--|
| None (Blank) | 0 | N | 0 Less coil** | DS Dual spades |
| | | | 10 10 VDC † | DG DIN 43650 |
| | | | 12 12 VDC | DL Leadwire (2) |
| | | | 24 24 VDC | DL/W Leadwire, lead |
| | | | 36 36 VDC | w/weatherpak® connectors |
| | | | 48 48 VDC | DR Deutsch DT04-2P |
| | | | 24 24 VAC | Termination std.coil (VAC) |
| | | | 115 115 VAC | AG DIN 43650 |
| | | | 230 230 VAC | AP 1/2 inch conduit |
| | | | ** Includes std.coil nut | |
| | | | † DS, DW or DL terminations only | |
| | | | 10 10 VDC | ER Deutsch DT04-2P (IP69K rated) |
| | | | 12 12 VDC | EY Metri-Pack® 150 (IP69K rated) |
| | | | 20 20 VDC | Coils with internal diode are available, please consult factory. |
| | | | 24 24 VDC | |