

HYSV08-B20 (2/2 Solenoid Valve,Normally Closed)

Description

A solenoid operated, 2-way, 2-position, normally closed, poppet-type cartridge valve.

Operation

When de-energized, the valve acts as a check valve, allowing flow from ① to ②, while blocking flow from ② to ①. When energized the poppet lifts to open the ② to ① flow path.

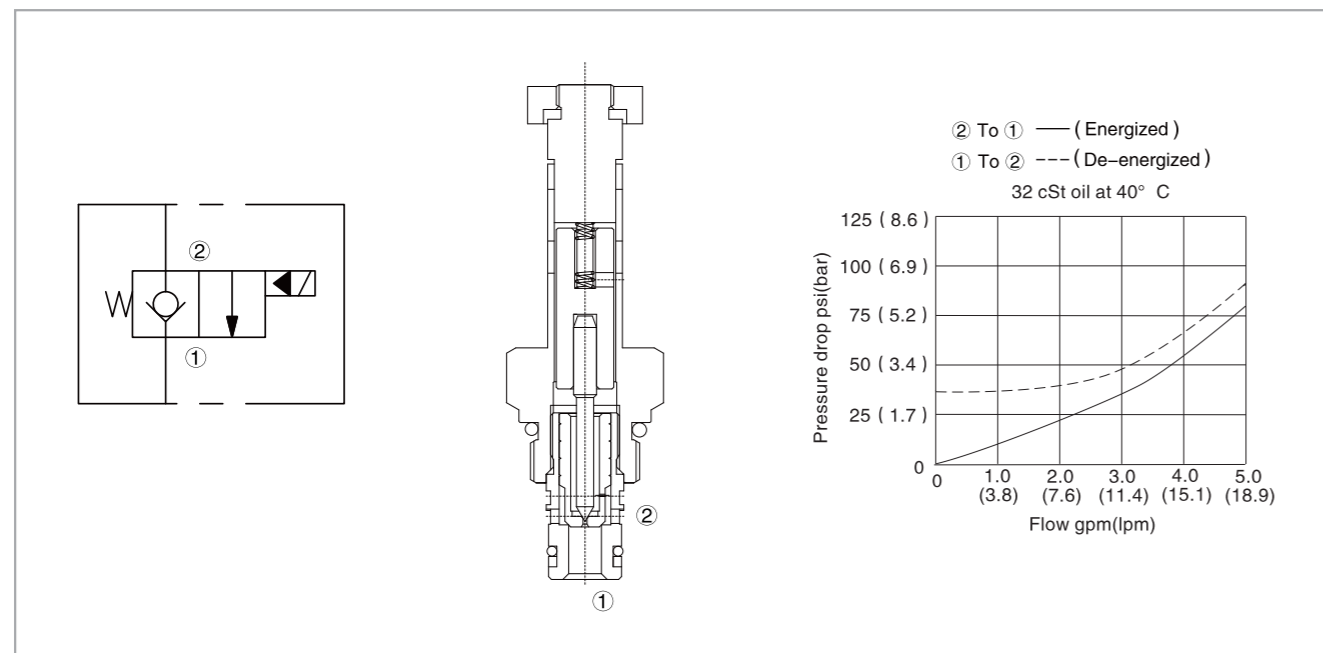
Operation of manual override option

To override, twist counterclockwise 2 turns.
To return to normal operation, twist clockwise 2 turns.

Specifications

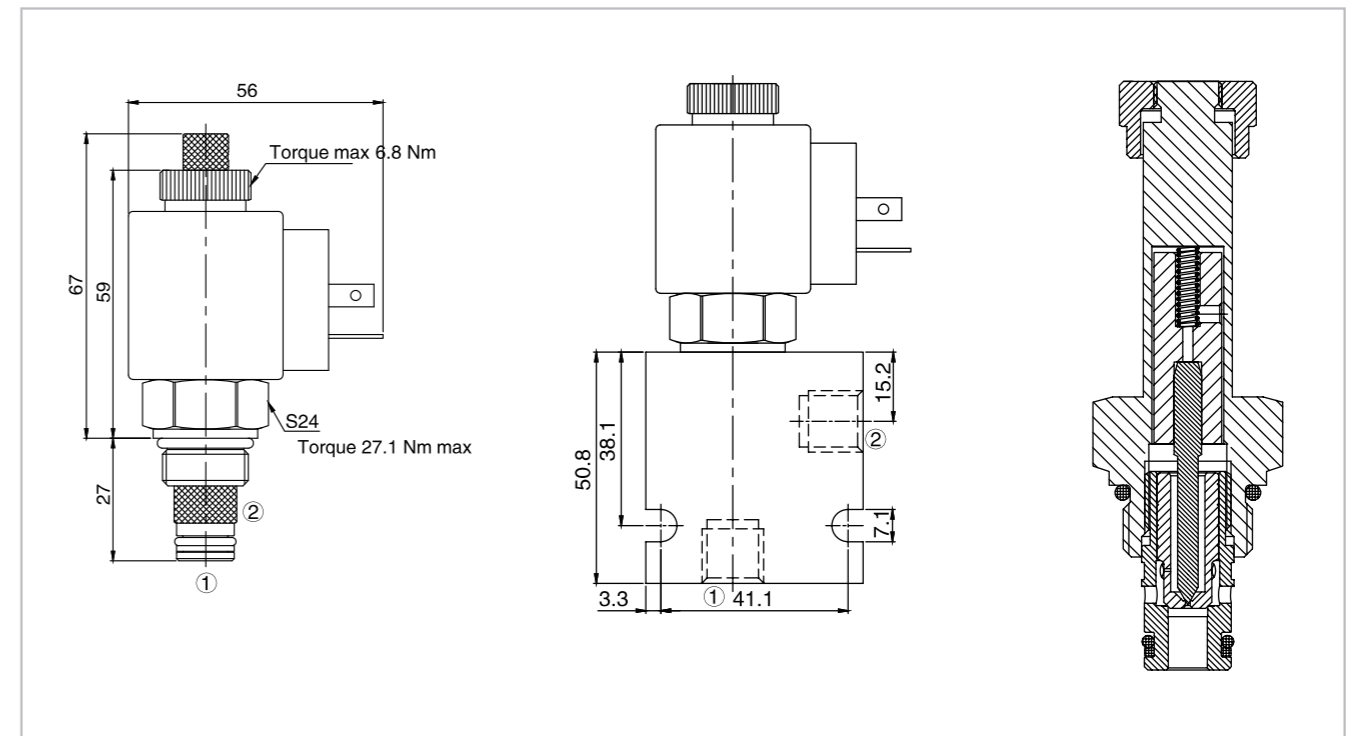
Operating pressure:	207 Bar
Flow:	See pressure drop vs.flow graph
Internal leakage:	2 Drops/min.max.at 207 bar
Temperature:	(-40°C To +120°C) with NBR material seals
Coil duty rating:	Continuous from 85% to 115% of nominal voltage
Fluids:	Mineral-based fluids with viscosities of 7.4 to 420 cSt.
Cavity:	HY08-2,see page H.1.2
Body material:	6061-T6 Aluminum alloy rated to 207 bar, steel & ductile iron rated to 350 bar

Code symbol , profile and pressure drop vs.flow



HYSV08-B20 (2/2 Solenoid Valve,Normally Closed)

External dimensions



Material science and order model

Cartridge: weight: 0.09 kg (0.20 lb);
Steel, the working face is duratected
Surface zinc-plated;
NBR material sealing and
check ring (standard).

Block: weight :0.16 kg (0.35 lb);
High-strength performance aluminum
alloy with anodic oxidation;
#6061 T6;
Rated pressure up to 207 bar (3500 psi);
Also available with ductile cast iron and steel
material;
size might be different, please consult factory.

Standard coil: weight: 0.11 kg (0.25 lb);
Heat-wrapping pack, Class H heat-resistant
enamelled wire;

E type coil: weight: 0.41 kg (0.9 oz);
Perfect winding, soid metallic shell encapsulated;
IP 69K rated, integrated connector.

HYSV08-B20

Option	Porting	Seals	Voltage std.coil	Termination std.coil (VDC)
None (Blank)	None	Buna (Std.) N	0 Less coil**	DS Dual spades
150 μ screen S	12T	Fluorocarbon V	10 10 VDC †	DG DIN 43650
Manual override M	6T		12 12 VDC	DL Leadwire (2)
	8T		24 24 VDC	DL/W Leadwire, lead
	2B		36 36 VDC	w/weatherpak [®] connectors
	3B		48 48 VDC	DR Deutsch DT04-2P
			24 24 VAC	Termination std.coil (VAC)
			115 115 VAC	AG DIN 43650
			230 230 VAC	AP 1/2 inch conduit
			** Includes std.coil nut	E type coil termination (VDC)
			† DS, DW or DL terminations only	ER Deutsch DT04-2P
				(IP69K rated)
				EL Leadwire (2)
				EY Metri-Pack [®] 150
				(IP69K rated)
				Coils with internal diode are available, please consult factory.