

HYSV08-20 (2/2 Solenoid Valve,Normally Closed)

Description

A solenoid operated, 2-way, 2-position, normally closed, poppet-type cartridge valve.

Operation

When de-energized, the valve acts as a check valve, allowing flow from ① to ②, while blocking flow from ② to ①.
When energized, the poppet lifts to open the ② to ① flow path.

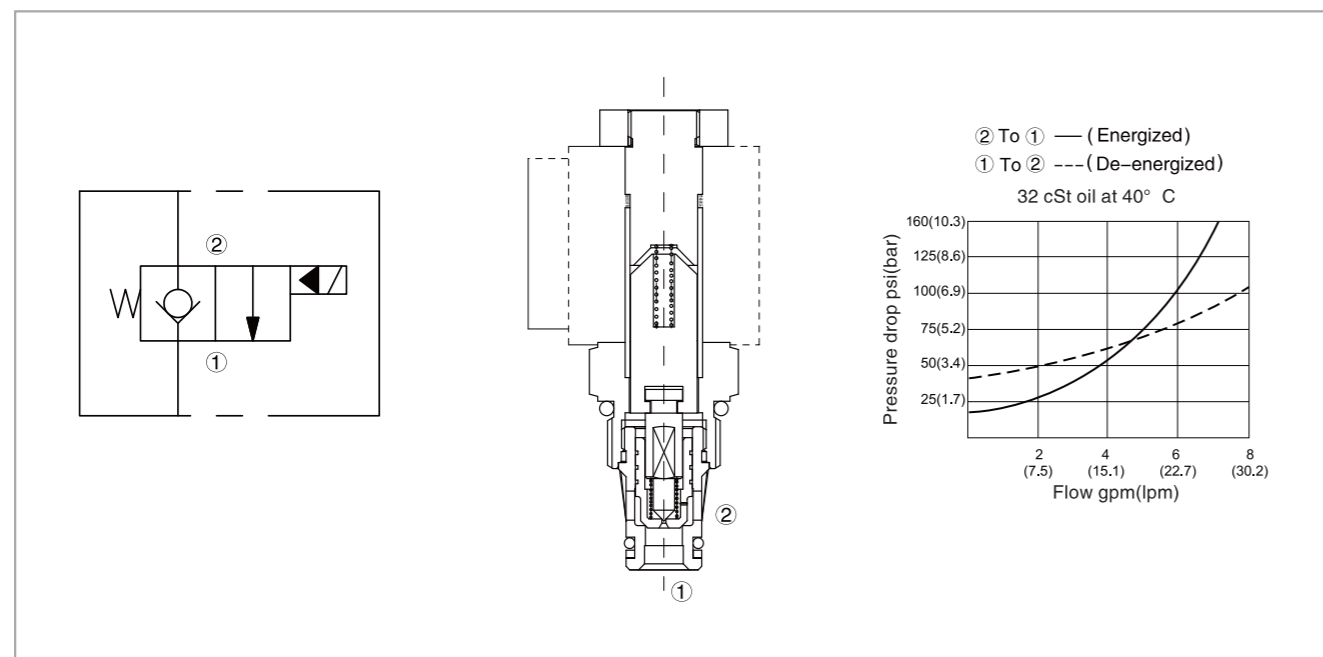
Operation of manual override option

To override, push button in, twist counterclockwise 180° and release. In this position, the valve will remain open in a detented condition. To return to normal operation, push button in, twist clockwise 180° and release. Override will be detented in this position.

Specifications

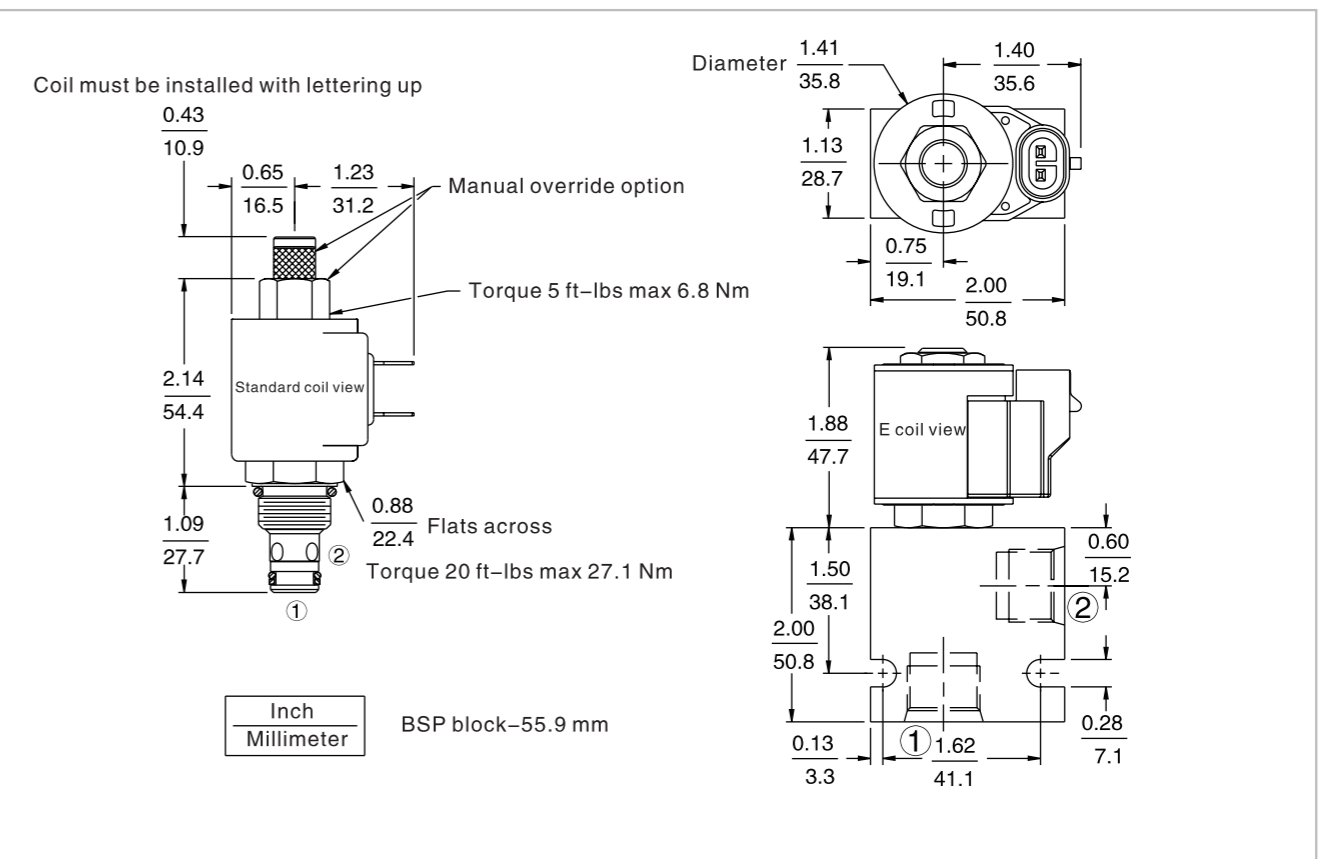
Max. operating pressure:	207 Bar
Flow:	See pressure drop vs.flow graph
Internal leakage:	3 Drops/min.max.at 207 bar
Temperature:	(-40°C To +120°C) with NBR material seals
Coil duty rating:	Continuous from 85% to 115% of nominal voltage
Fluids:	Mineral-based fluids with viscosities of 7.4 to 420 cSt.
Cavity:	HY08-2,see page H.1.2
Body material:	6061-T6 Aluminum alloy rated to 207 bar, steel & ductile iron rated to 350 bar

Code symbol , profile and pressure drop vs.flow



HYSV08-20 (2/2 Solenoid Valve,Normally Closed)

External dimensions



Material science and order model

Cartridge: weight: 0.09 kg (0.20 lb);
Steel,the working face is duratected
Surcace zine-plated;
NBR material sealing and
check ring (standard).

Block:weight :0.16 kg (0.35 lb);
High-strength performance aluminum
alloy with anodic oxidation;
#6061 T6;
Rated pressure up to 240 bar (3500 psi);
Also available with ductile cast iron and steel
material;
Size might be different,please consult factory.

Standard coil:weight:0.11 kg (0.25 lb);
Heat-wrappinf pack,Class H heat-resistant
enamelled wire;

E type coil:weight :0.14 kg (0.3 lb);
Perfect winding,soid metallic shell encapsulated;
IP 69K rated,integrated connector.

HYSV08-20 - - - - -

Option	Porting	Seals	Voltage std.coil	Termination std.coil (VDC)
None (Blank)	Cartridge only	Buna (Std.) N	0 Less coil**	DS Dual spades
150 μ screen S	SAE 4 4T	Fluorocarbon V	10 10 VDC †	DG DIN 43650
Manual override M	SAE 6 6T		12 12 VDC	DL Leadwire (2)
	SAE 8 8T		24 24 VDC	DL/W Leadwire,lead
	1/4 Inch BSP* 2B		36 36 VDC	w/weatherpak® connectors
	3/8 Inch BSP* 3B		48 48 VDC	DR Deutsch DT04-2P
			24 24 VAC	Termination std.coli (VAC)
			115 115 VAC	AG DIN 43650
			230 230 VAC	AP 1/2 inch conduit
			** Includes std.coil nut	
			† DS,DW or DL teminations only	
			E type coil termination (VDC)	
			10 10 VDC	ER Deutsch DT04-2P
			12 12 VDC	(IP69K rated)
			20 20 VDC	EL Leadwire (2)
			24 24 VDC	EY Metri-Pack® 150
				(IP69K rated)
				Coils with internal diode are available,please consult factory.