

# HYSV12-20 ( 2/2 Solenoid Valve,Normally Closed)

## Description

A solenoid operated, 2-way, 2-position, normally closed, poppet-type cartridge valve.

## Operation

When de-energized, the valve acts as a check valve, allowing flow from ① to ②, while blocking flow from ② to ① .  
When energized , the poppet lifts to open the ② to ① flow path.

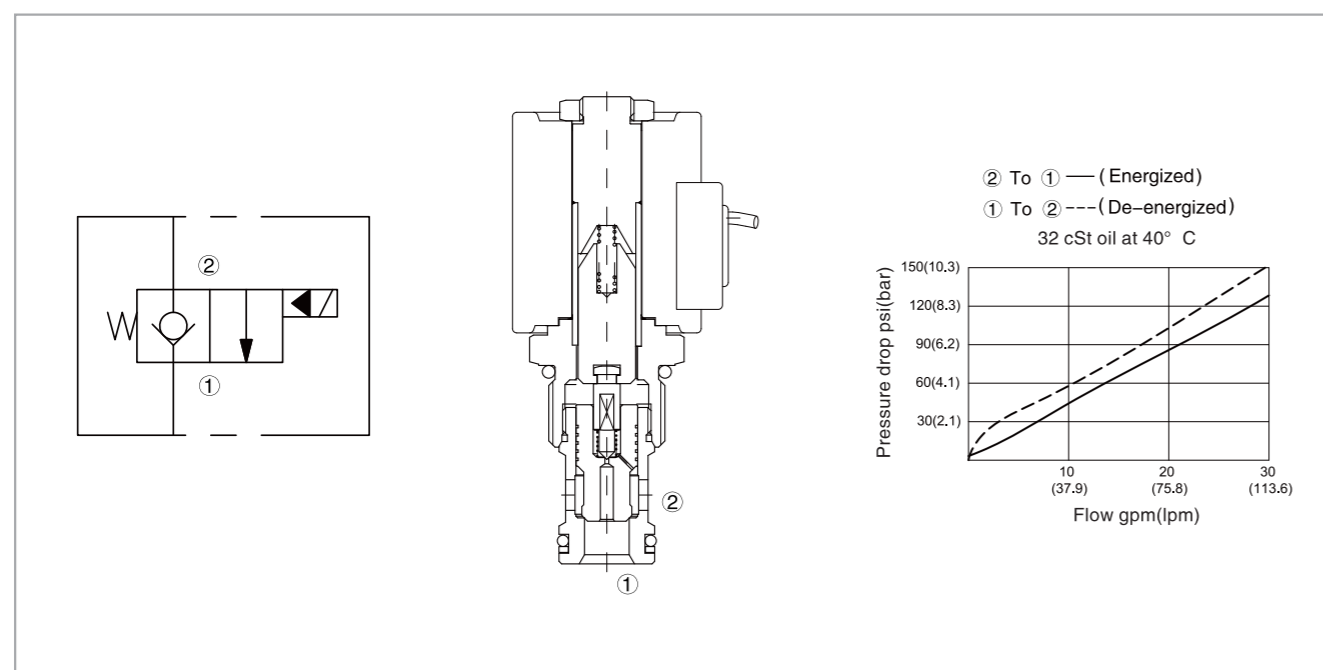
## Operation of manual override option

To override, push button in, twist counterclockwise 180°C and release. In this position, the valve will remain open in a detented condition. To return to normal operation, push button in , twist clockwise 180°C and release. Override will be detented in this position.

## Specifications

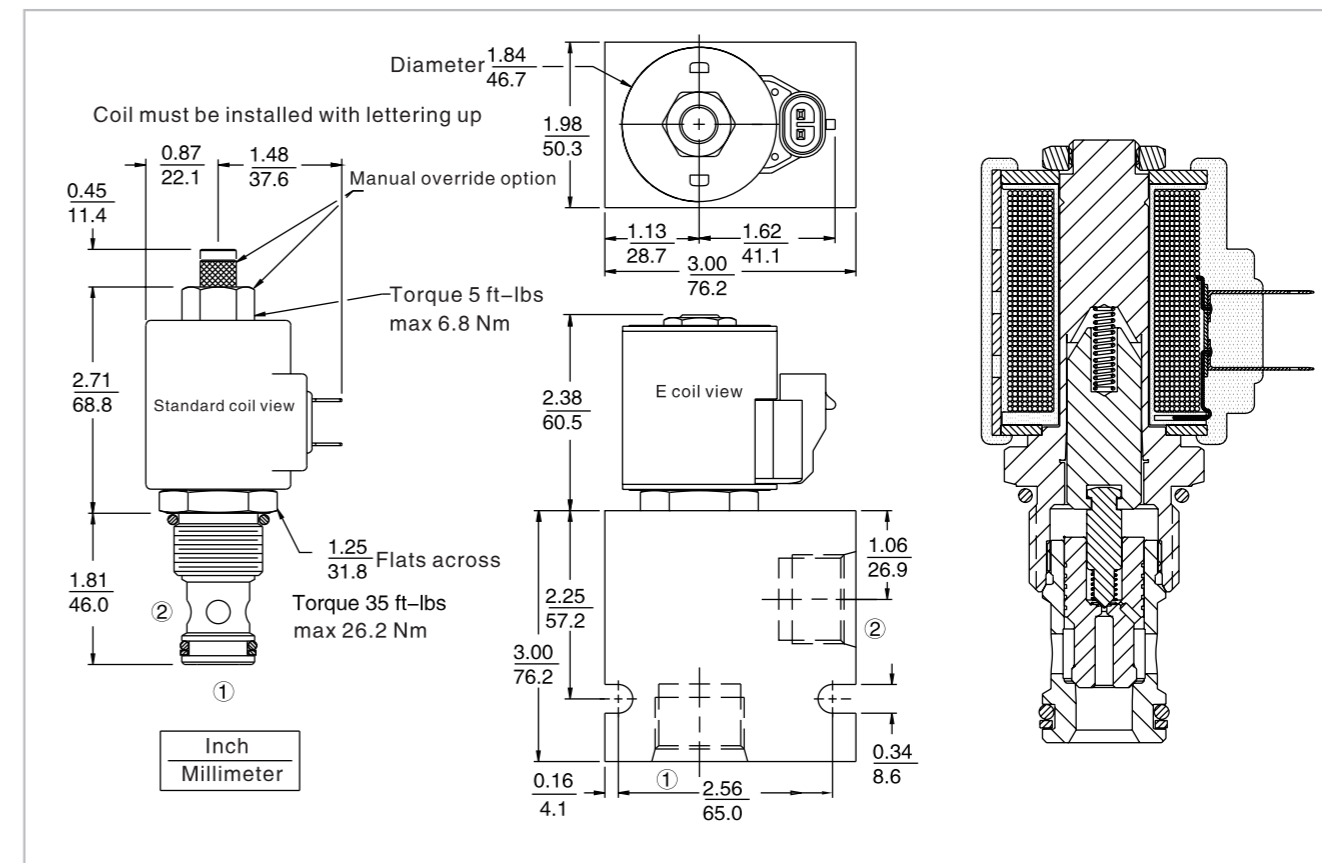
Max. operating pressure:	240 Bar
Flow:	See pressure drop vs.flow graph
Internal leakage:	3 Drops/min.max.at 240 bar
Temperature:	(-40°C To +120°C) with NBR material seals
Coil duty rating:	Continuous from 85% to 115% of nominal voltage
Fluids:	Mineral-based fluids with viscosities of 7.4 to 420 cSt.
Cavity:	HY12-2,see page H.1.5
Body material:	6061-T6 Aluminum alloy rated to 207 bar, steel & ductile iron rated to 350 bar

## Code symbol , profile and pressure drop vs.flow



# HYSV12-20 ( 2/2 Solenoid Valve,Normally Closed)

## External dimensions



## Material science and order model

Cartridge: weight: 0.25 kg ( 0.55 lb); Steel,the working face is duratected Surcace zine-plated; NBR material sealing and check ring (standard).

Block:weight :0.57 kg (1.25 lb); High-strength performance aluminum alloy with anodic oxidation; #6061 T6; Rated pressure up to 240 bar (3500 psi); Also available with ductile cast iron and steel material; Size might be different,please consult factory.

Standard coil:weight:0.27 kg (0.60 lb); Heat-wrappinf pack,Class H heat-resistant enamelled wire;

E type coil:weight :0.41 kg (0.9 lb); soid metallic shell encapsulated; IP 69K rated,integrated connector.

Option	Termination std.coil (VDC)
None (Blank)	DS Dual spades
Screen S	DG DIN 43650
Manual override M	DL Leadwire (2)
Manual override Y	DL/W Leadwire,lead w/weatherpak® connectors
Manual override J	DR Deutsch DT04-2P
Porting	Termination std.coli (VAC)
Cartridge only 0	AG DIN 43650
SAE 10 10T	AP 1/2 inch conduit
SAE 12 12T	E type coil termination (VDC)
SAE 16 16T	ER Deutsch DT04-2P ( IP69K rated )
3/4 Inch BSP* 6B	EL Leadwire (2)
1 Inch BSP* 8B	EY Metri-Pack® 150 ( IP69K rated )
Seals	Coils with internal diode are available,please consult factory.
Buna (Std.) N	
Fluorocarbon V	

Voltage std.coil

Option	Termination std.coil (VDC)
0 Less coil**	DS Dual spades
10 10 VDC †	DG DIN 43650
12 12 VDC	DL Leadwire (2)
24 24 VDC	DL/W Leadwire,lead w/weatherpak® connectors
36 36 VDC	DR Deutsch DT04-2P
48 48 VDC	Termination std.coli (VAC)
24 24 VAC	AG DIN 43650
115 115 VAC	AP 1/2 inch conduit
230 230 VAC	E type coil termination (VDC)
	ER Deutsch DT04-2P ( IP69K rated )
	EL Leadwire (2)
	EY Metri-Pack® 150 ( IP69K rated )
	Coils with internal diode are available,please consult factory.

\*\* Includes std.coil nut  
† DS,DW or DL terminations only