

## HYSV16-20 ( 2/2 Solenoid Valve,Normally Closed)

### Description

A solenoid operated, 2-way, 2-position, normally closed, poppet-type cartridge valve.

### Operation

When de-energized, the valve acts as a check valve, allowing flow from ① to ②, while blocking flow from ② to ① .  
When energized , the poppet lifts to open the ② to ① flow path.

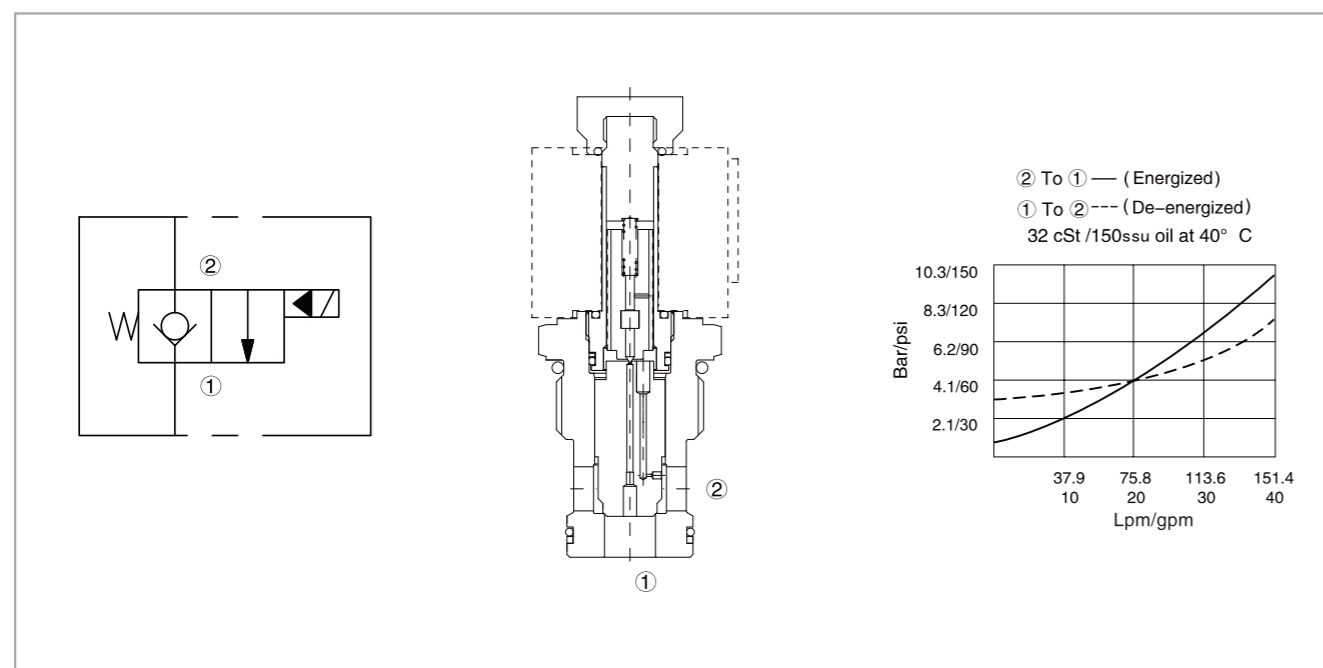
### Operation of manual override option

To override, push button in, twist counterclockwise 180° and release. In this position, the valve will remain open in a detented condition. To return to normal operation, push button in , twist clockwise 180° and release. Override will be detented in this position.

### Specifications

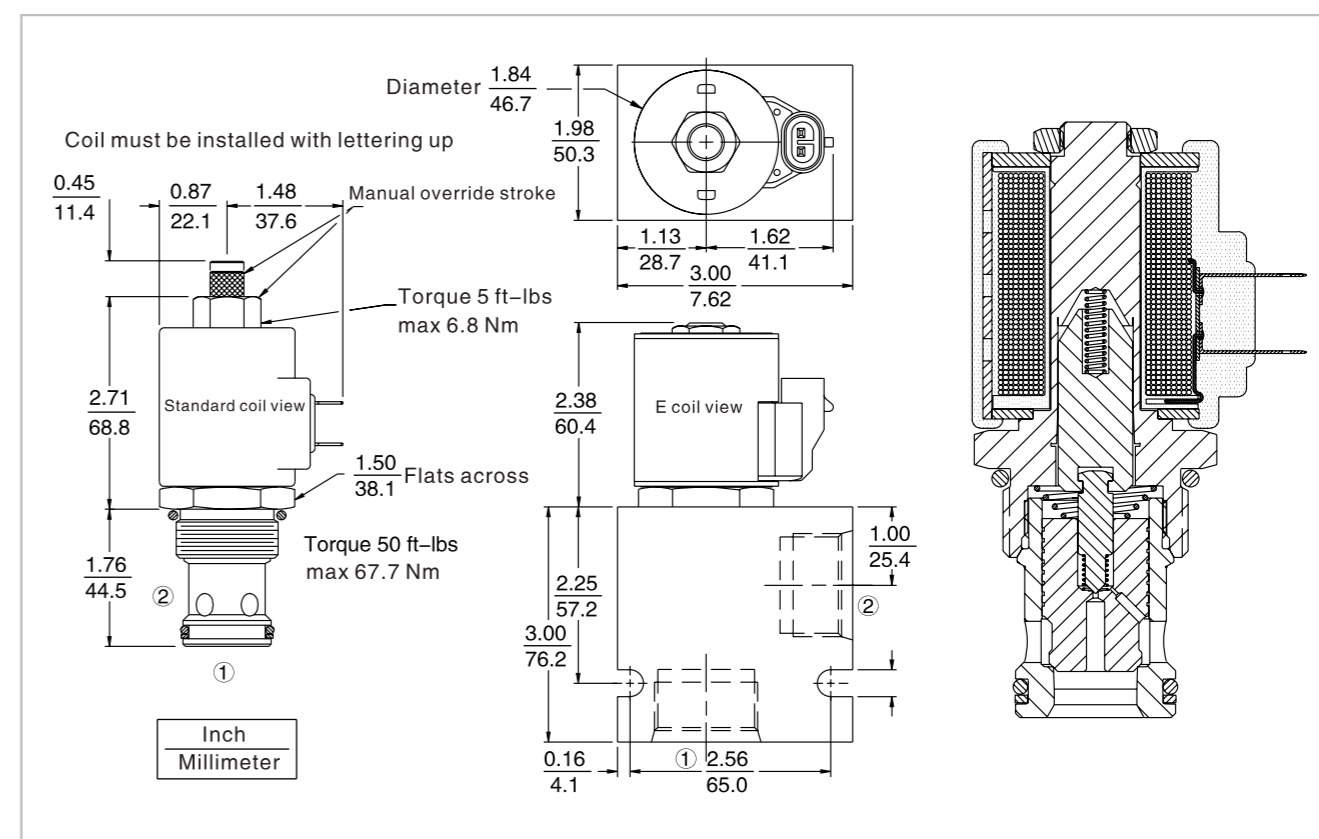
Max. operating pressure:	207 Bar
Flow:	See pressure drop vs. flow graph
Internal leakage:	3 Drops/min.max.at 207 bar
Temperature:	(-40°C To +120°C) with NBR material seals
Coil duty rating:	Continuous from 85% to 115% of nominal voltage
Fluids:	Mineral-based fluids with viscosities of 7.4 to 420 cSt.
Cavity:	HY16-2,see page H.1.5
Body material:	Steel & ductile iron rated to 350 bar

### Code symbol , profile and pressure drop vs.flow



## HYSV16-20 ( 2/2 Solenoid Valve,Normally Closed)

### External dimensions



### Material science and order model

Cartridge: weight: 0.31 kg ( 0.69 lb); Steel,the working face is duratected Surcace zine-plated; NBR material sealing and check ring (standard).

Block:weight :0.57 kg (1.25 lb); High-strength performance aluminum alloy with anodic oxidation; #6061 T6; Rated pressure up to 240 bar (3500 psi); Also available with ductile cast iron and steel material; Size might be different,please consult factory.

Standard coil:weight:0.27 kg (0.60 lb); Heat-wrappinf pack,Class H heat-resistant enamelled wire;

E type coil:weight :0.14 kg (0.9 lb); soid metallic shell encapsulated; IP 69K rated,integrated connector.

HYSV16-20		Option		Voltage std.coil		Termination std.coil (VDC)	
	None (Blank)			0	Less coil**	DS	Dual spades
	Manual override M			10	10 VDC †	DG	DIN 43650
	Manual override Y			12	12 VDC	DL	Leadwire (2)
	Manual override J			24	24 VDC	DL/W	Leadwire,lead w/weatherpak®connectors
				36	36 VDC	DR	Deutsch DT04-2P
				48	48 VDC	Termination std.coli (VAC)	
				24	24 VAC	AG	DIN 43650
				115	115 VAC	AP	1/2 inch conduit
				230	230 VAC	E type coil termination (VDC)	
				** Includes std.coil nut † DS,DW or DL teminations only			
				E type coil			
				10	10 VDC	ER	Deutsch DT04-2P ( IP69K rated )
				12	12 VDC	EY	Metri-Pack® 150 ( IP69K rated )
				20	20 VDC	Coils with internal diode are available,please consult factory.	
				24	24 VDC		
				Seals			
				Buna (Std.) N			
				Fluorocarbon V			