

HYSV16-21 (2/2 Solenoid Valve,Normally Open)

Description

A solenoid operated, 2-way, 2-position, normally open, poppet-type cartridge valve.

Operation

When de-energized, the valve allows aflow from ② to ①, Flow from ① to ② is severely restricted in this mode. When energized the valve's poppet closes on its seat, blocking flow from ② to ①. The cartridge will allow ① to ② flow after overcoming the solenoid force.

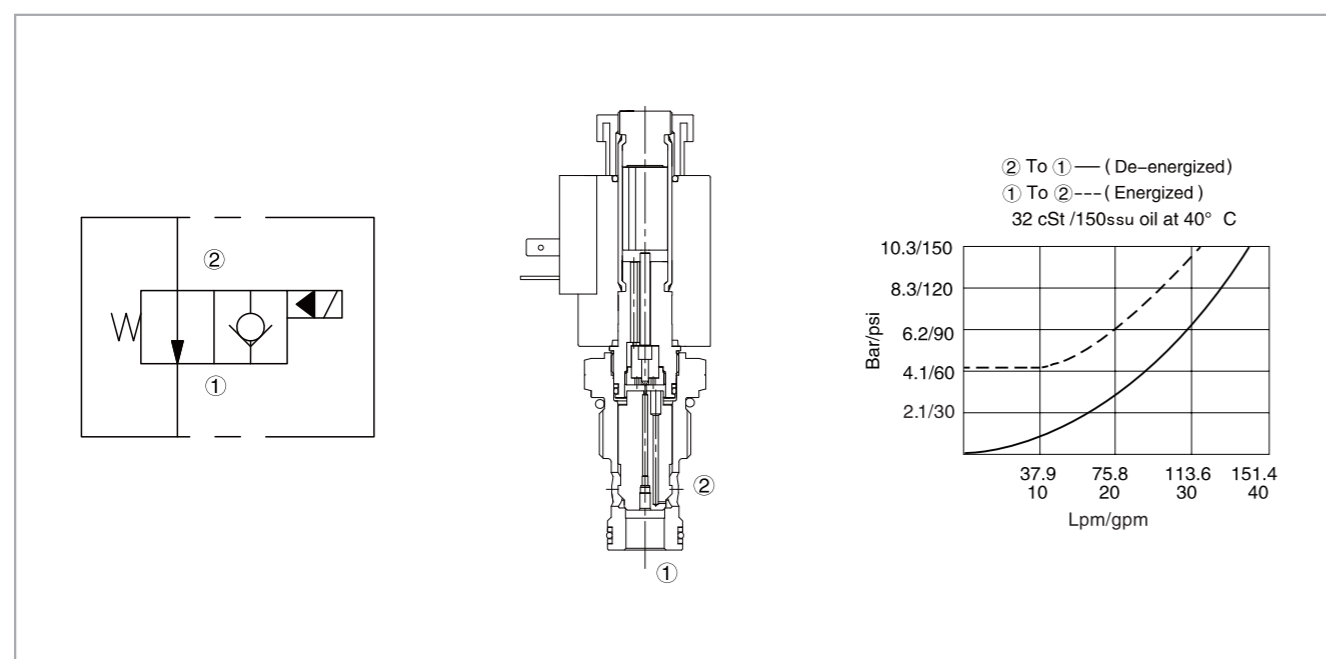
Operation of manual override option

To override, push button in to activate. To return to normal valve function, release button.

Specifications

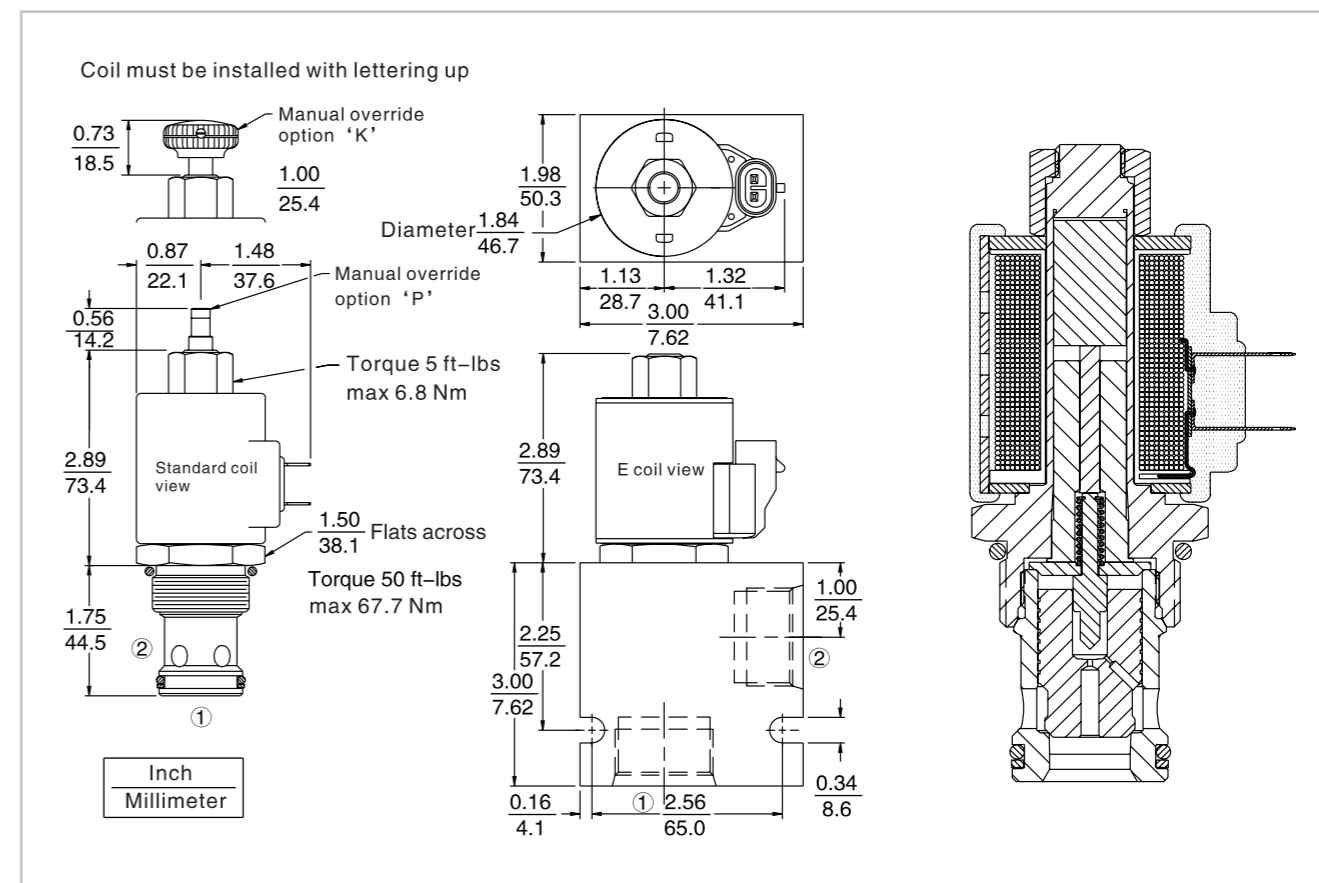
Max. operating pressure:	207 Bar
Flow:	See pressure drop vs.flow graph
Internal leakage:	3 Drops/min.max.at 207 bar
Temperature:	(-40°C To +120°C) with NBR material seals
Coil duty rating:	Continuous from 85% to 115% of nominal voltage
Fluids:	Mineral-based fluids with viscosities of 7.4 to 420 cSt.
Cavity:	HY16-2,see page H.1.5
Body material:	Steel & ductile iron rated to 350 bar

Code symbol , profile and pressure drop vs.flow



HYSV16-21 (2/2 Solenoid Valve,Normally Open)

External dimensions



Material science and order model

Cartridge: weight: 0.31 kg (0.69 lb);
 Steel,the working face is duratected
 Surcace zine-plated;
 NBR material sealing and
 check ring (standard).

Block:weight :0.57 kg (1.25 lb);
 High-strength performance aluminum
 alloy with anodic oxidation;
 #6061 T6;
 Rated pressure up to 240 bar (3500 psi);
 Also available with ductile cast iron and
 steel material;
 Size might be different,please consult factory.

Standard coil:weight:0.27 kg (0.60 lb);
 Heat-wrappinf pack,Class H
 heat-resistant enamelled wire;

E type coil:weight :0.14 kg (0.9 lb);
 Soid metallic shell encapsulated;
 IP 69K rated,integrated connector.

Option	Voltage std.coil	Termination std.coil (VDC)
None (Blank)	0 Less coil**	DS Dual spades
Manual override W/o knob	10 10 VDC †	DG DIN 43650
Manual override W/knob	12 12 VDC	DL Leadwire (2)
	24 24 VDC	DL/W Leadwire,lead w/weatherpak® connectors
	36 36 VDC	DR Deutsch DT04-2P
	48 48 VDC	Termination std.coli (VAC)
	24 24 VAC	AG DIN 43650
	115 115 VAC	AP 1/2 inch conduit
	230 230 VAC	E type coil termination (VDC)
	** Includes std.coil nut	ER Deutsch DT04-2P (IP69K rated)
	† DS,DW or DL teminations only	EY Metri-Pack® 150 (IP69K rated)
	E type coil	Coils with internal diode are available,please consult factory.
	10 10 VDC	
	12 12 VDC	
	20 20 VDC	
	24 24 VDC	

Porting

Cartridge only	0
SAE 12	12T
SAE 16	16T
3/4 Inch BSP*	6B
1 Inch BSP*	8B

Seals

Buna (Std.)	N
Fluorocarbon	V