

## HYSV08-22 ( 2/2 Solenoid Valve,Normally Closed)

### Description

A solenoid operated, 2-way, 2-position, normally closed, poppet-type cartridge valve with reverse flow energized.

### Operation

When de-energized, the valve acts as a check valve, allowing flow from ① to ②, while blocking flow from ② to ①. When energized, the poppet lifts to open the ② to ① flow path. In this mode, flow is also allowed from ① to ②.

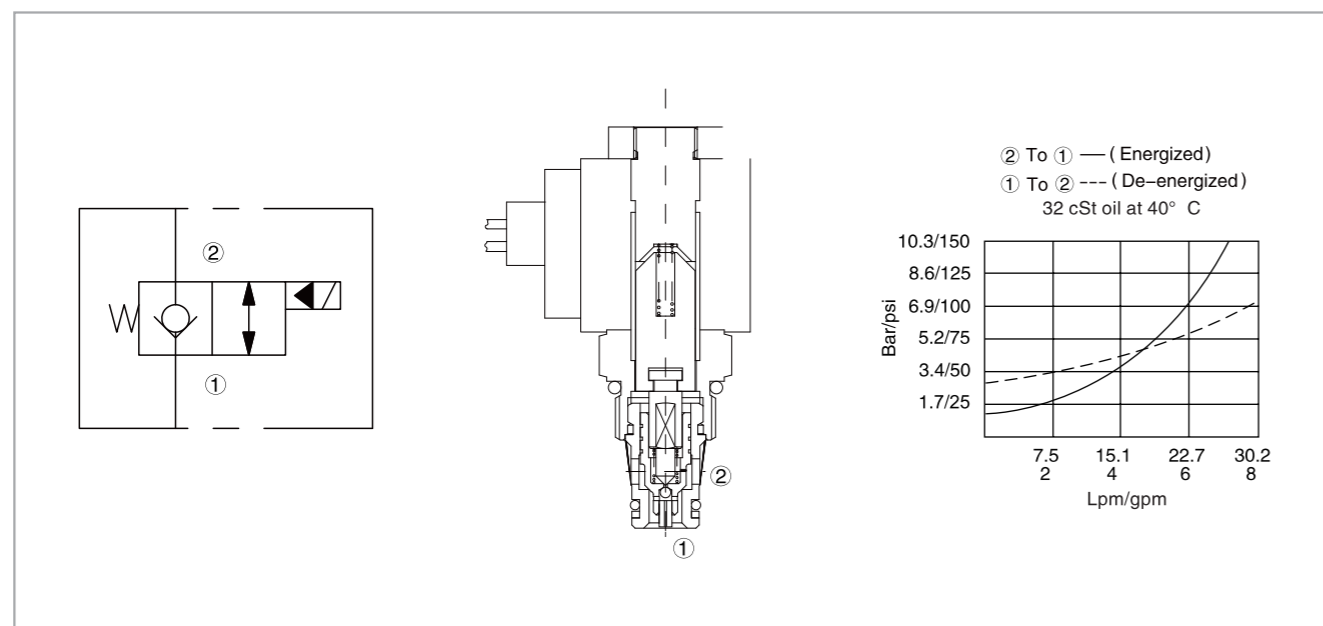
### Operation of manual override option

To override, push button in, twist counterclockwise 180° and release. In this position, the valve will remain open in a detented condition. To return to normal operation, push button in, twist clockwise 180° and release. Override will be detented in this position.

### Specifications

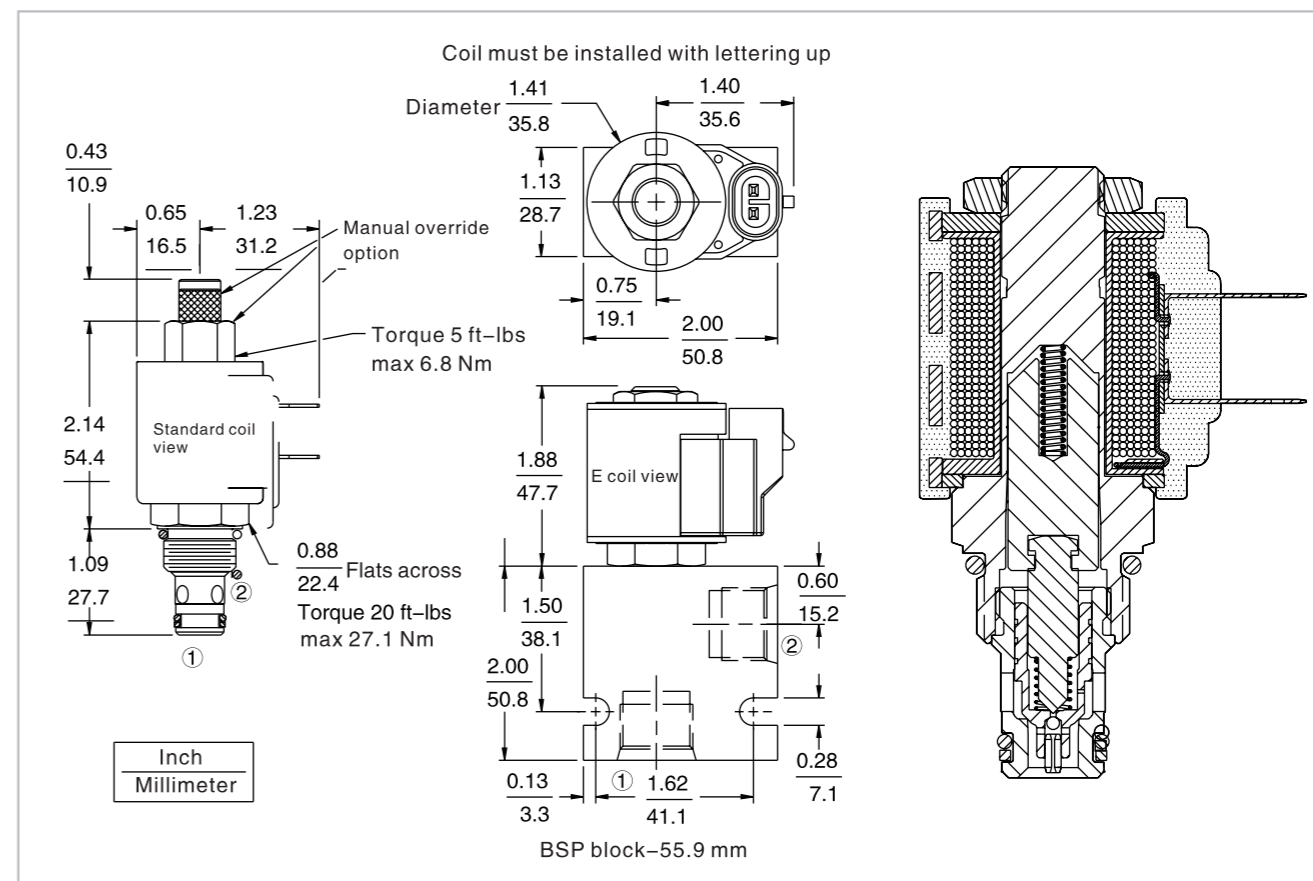
Max. operating pressure:	207 Bar
Flow:	See pressure drop vs. flow graph
Internal leakage:	3 Drops/min. max. at 207 bar
Temperature:	(-40°C To +120°C) with NBR material seals
Coil duty rating:	Continuous from 85% to 115% of nominal voltage
Fluids:	Mineral-based fluids with viscosities of 7.4 to 420 cSt.
Cavity:	HY08-2, see page H.1.2
Body material:	6061-T6 Aluminum alloy rated to 207 bar, steel & ductile iron rated to 350 bar

### Code symbol , profile and pressure drop vs. flow



## HYSV08-22 ( 2/2 Solenoid Valve,Normally Closed)

### External dimensions



### Material science and order model

Cartridge: weight: 0.09 kg ( 0.20 lb); Steel, the working face is duratected Surcace zine-plated; NBR material sealing and check ring (standard).

Block: weight :0.16 kg (0.35 lb); High-strength performance aluminum alloy with anodic oxidation; #6061 T6; Rated pressure up to 240 bar (3500 psi); Also available with ductile cast iron and steel material; Size might be different, please consult factory.

Standard coil: weight: 0.11 kg (0.25 lb); Heat-wrapping pack, Class H heat-resistant enamelled wire;

E type coil: weight :0.14 kg (0.3 lb); Soid metallic shell encapsulated; IP 69K rated, integrated connector.

Option	Voltage std.coil	Termination std.coil (VDC)
None (Blank)	0 Less coil**	DS Dual spades
Manual override screen	10 10 VDC †	DG DIN 43650
	12 12 VDC	DL Leadwire (2)
	24 24 VDC	DL/W Leadwire, lead w/weatherpak® connectors
	36 36 VDC	DR Deutch DT04-2P
	48 48 VDC	Termination std.coil (VAC)
	24 24 VAC	AG DIN 43650
	115 115 VAC	AP 1/2 inch conduit
	230 230 VAC	E type coil termination (VDC)
	** Includes std.coil nut † DS, DW or DL terminations only	ER Deutch DT04-2P ( IP69K rated )
		EL Leadwire (2)
		EY Metri-Pack® 150 ( IP69K rated )
		Coils with internal diode are available, please consult factory.

Seals	Termination std.coil (VDC)
Buna (Std.)	N
Fluorocarbon	V