

HYSV12-22 (2/2 Solenoid Valve,Normally Closed)

Description

A solenoid operated, 2-way, 2-position, normally closed, poppet-type cartridge valve with reverse flow energized.

Operation

When de-energized, the valve acts as a check valve, allowing flow from ① to ②, while blocking flow from ② to ①. When energized, the poppet lifts to open the ② to ① flow path. In this mode, flow is also allowed from ① to ②.

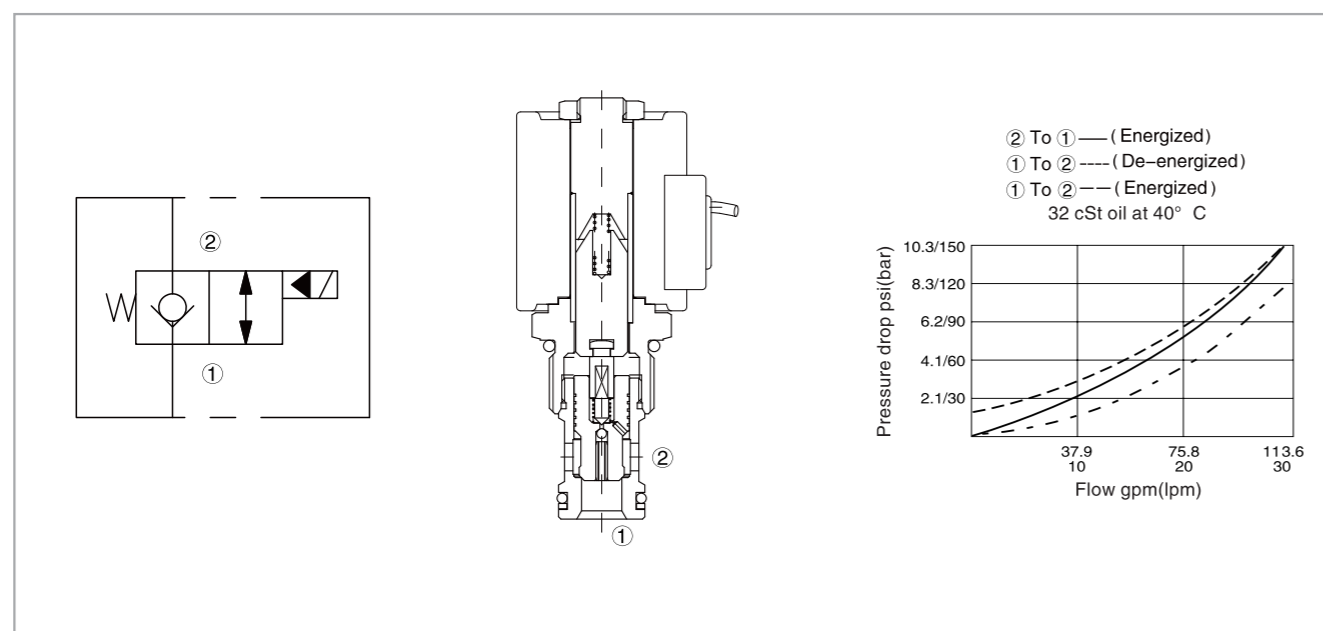
Operation of manual override option

To override, push button in, twist counterclockwise 180° and release. In this position, the valve will remain open in a detented condition. To return to normal operation, push button in, twist clockwise 180° and release. Override will be detented in this position.

Specifications

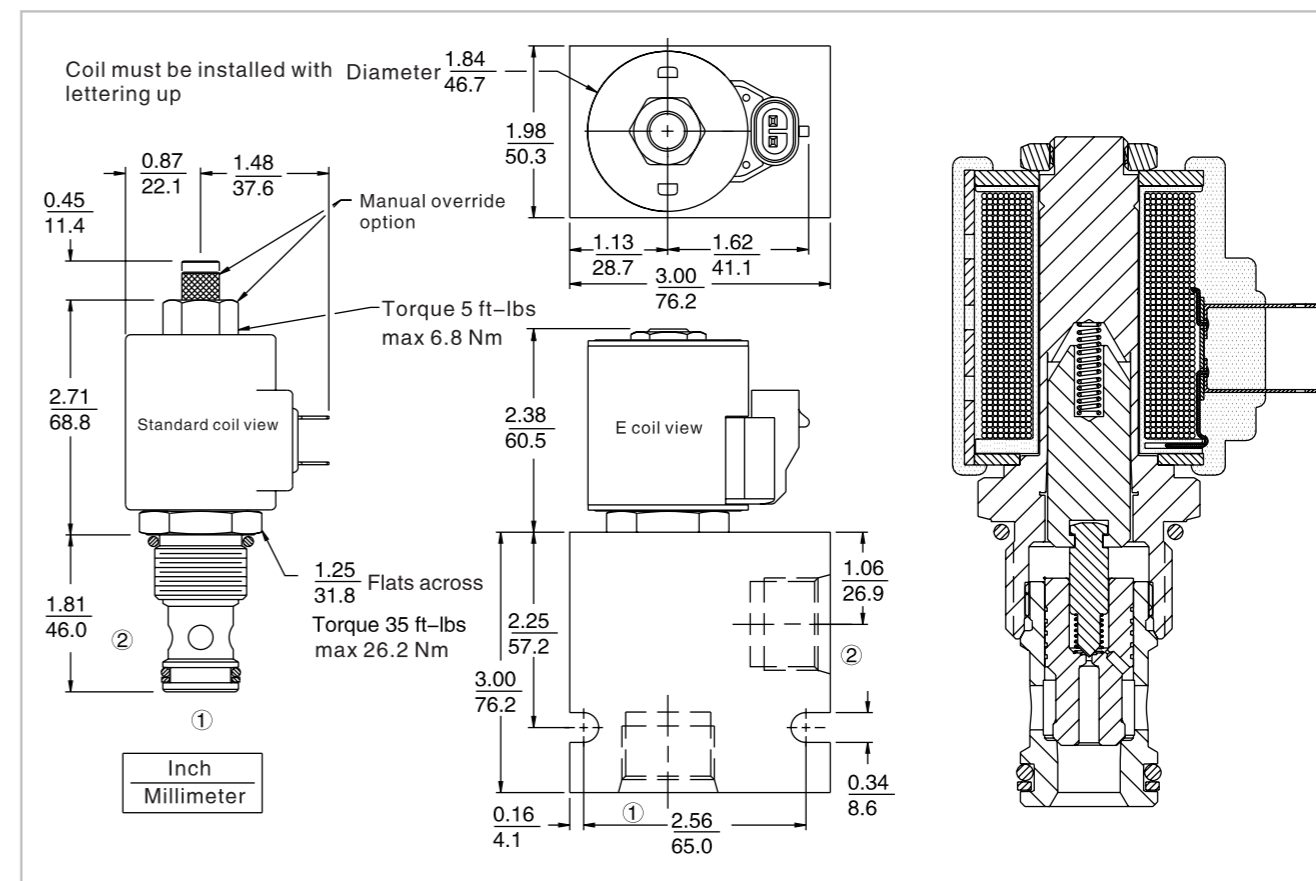
Max. operating pressure:	240 Bar
Flow:	See pressure drop vs. flow graph
Internal leakage:	3 Drops/min. max. at 240 bar
Temperature:	(-40°C To +120°C) with NBR material seals
Coil duty rating:	Continuous from 85% to 115% of nominal voltage
Fluids:	Mineral-based fluids with viscosities of 7.4 to 420 cSt.
Cavity:	HY10-2, see page H.1.3
Body material:	6061-T6 Aluminum alloy rated to 207 bar, steel & ductile iron rated to 350 bar

Code symbol , profile and pressure drop vs. flow



HYSV12-22 (2/2 Solenoid Valve,Normally Closed)

External dimensions



Material science and order model

Cartridge: weight: 0.57 kg (1.25 lb);
 Steel, the working face is duratected
 Surface zinc-plated;
 NBR material sealing and
 check ring (standard).

Block: weight :0.16 kg (0.35 lb);
 High-strength performance aluminum
 alloy with anodic oxidation;
 #6061 T6;

Rated pressure up to 240 bar (3500 psi);
 Also available with ductile cast iron and
 steel material;
 Size might be different, please consult factory.

Standard coil: weight: 0.27 kg (0.60 lb);
 Heat-wrapping pack, Class H
 heat-resistant enamelled wire;

E type coil: weight :0.41 kg (0.9 lb);
 Soid metallic shell encapsulated;
 IP 69K rated, integrated connector.

Option		Voltage std. coil		Termination std. coil (VDC)	
None (Blank)		0	Less coil**	DS	Dual spades
Manual override M		10	10 VDC †	DG	DIN 43650
Manual override Y		12	12 VDC	DL	Leadwire (2)
Manual override J		24	24 VDC	DL/W	Leadwire, lead w/weatherpak® connectors
		36	36 VDC	DR	Deutsch DT04-2P
		48	48 VDC		Termination std. coil (VAC)
		24	24 VAC		
		115	115 VAC	AG	DIN 43650
		230	230 VAC	AP	1/2 inch conduit
		** Includes std. coil nut † DS, DW or DL terminations only			
		E type coil		E type coil termination (VDC)	
		10	10 VDC	ER	Deutsch DT04-2P (IP69K rated)
		12	12 VDC	EL	Leadwire (2)
		20	20 VDC	EY	Metri-Pack® 150 (IP69K rated)
		24	24 VDC	Coils with internal diode are available, please consult factory.	