

HYSV10-23 (2/2 Solenoid Valve,Normally Open)

Description

A solenoid operated, 2-way, 2-position, normally open, poppet-type cartridge valve with reverse flow de-energized.

Operation

When de-energized, the poppet lifts to open flow from ② to ①. Flow is also open from ① to ②. When energized, the cartridge acts as a check valve, allowing flow from ① to ② while blocking flow from ② to ①, after overcoming the solenoid force (requires 3.4 to 10.3 bar [50 to 150 psi]).

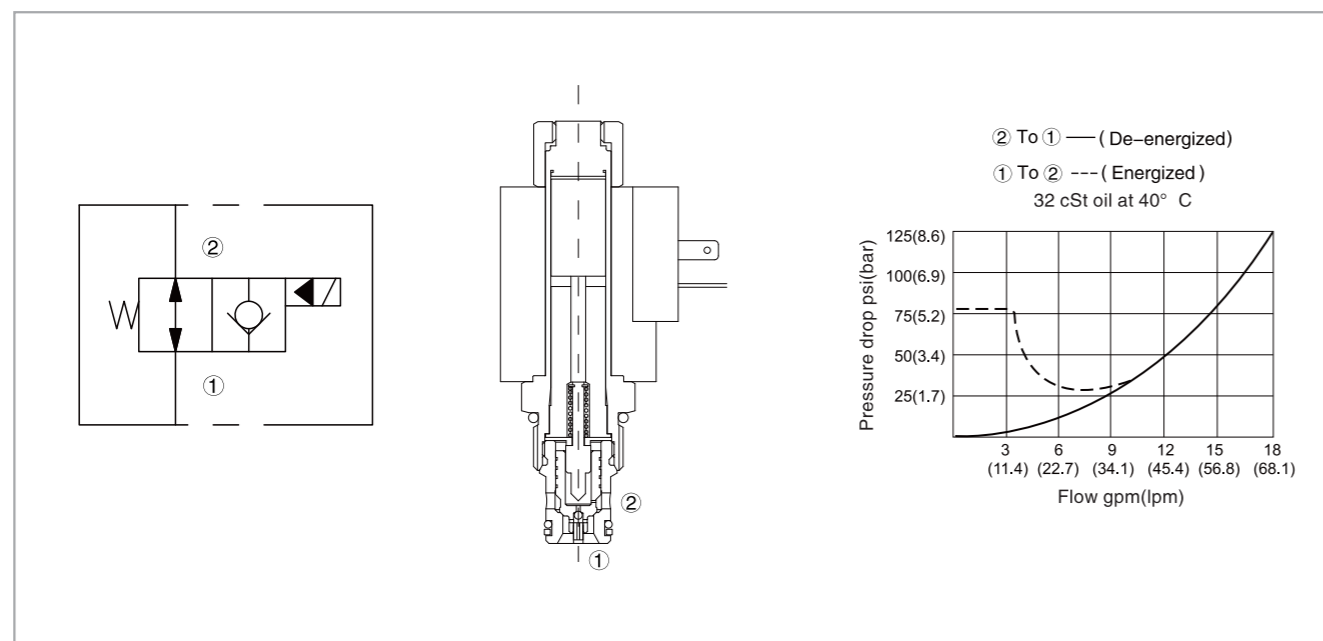
Operation of manual override option

To override, push button in to activate. To return to normal valve function, release button.

Specifications

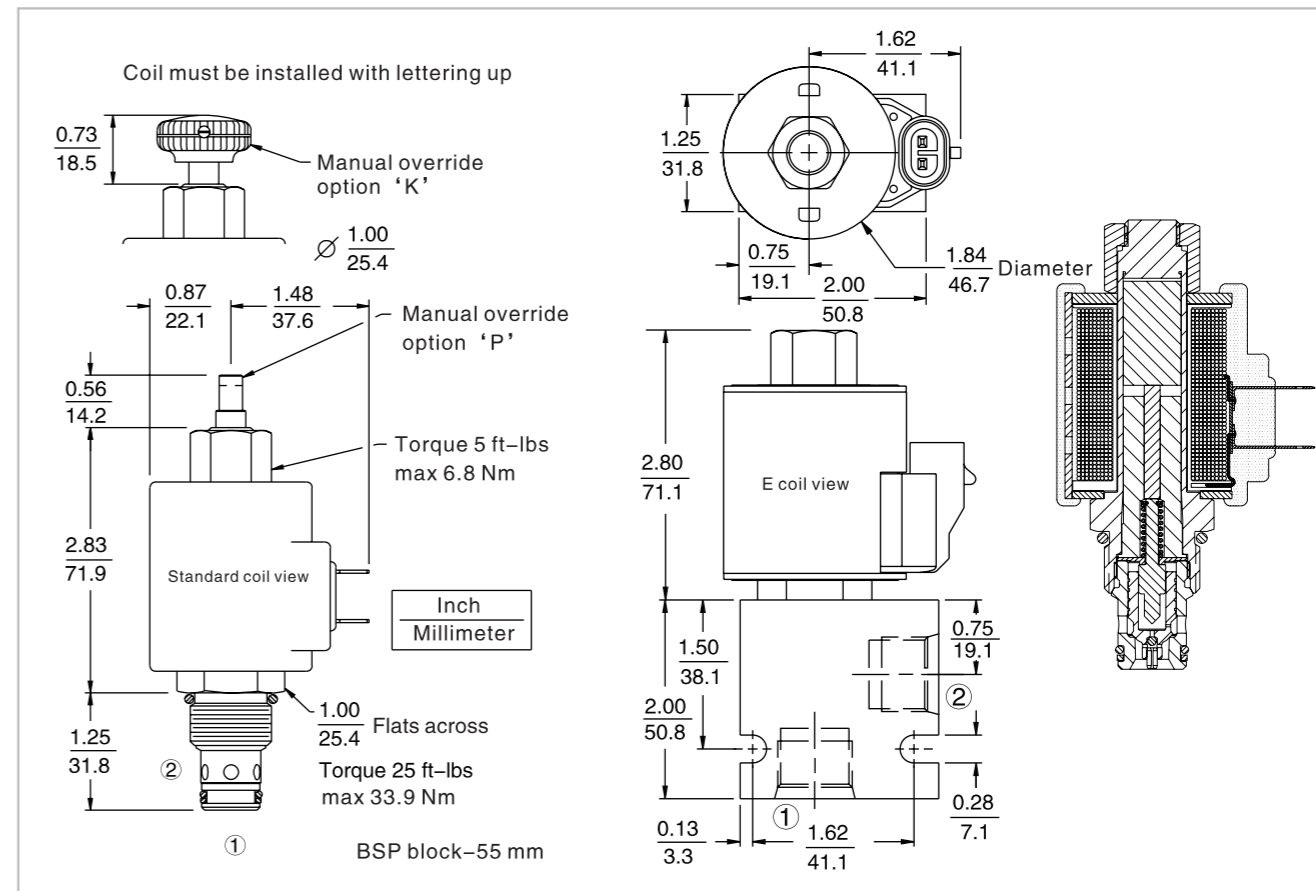
| | |
|--------------------------|--|
| Max. operating pressure: | 207 Bar |
| Flow: | See pressure drop vs. flow graph |
| Internal leakage: | 3 Drops/min.max.at 207 bar |
| Temperature: | (-40°C To +120°C) with NBR material seals |
| Coil duty rating: | Continuous from 85% to 115% of nominal voltage |
| Fluids: | Mineral-based fluids with viscosities of 7.4 to 420 cSt. |
| Cavity: | HY10-2, see page H.1.3 |
| Body material: | 6061-T6 Aluminum alloy rated to 207 bar, steel & ductile iron rated to 350 bar |

Code symbol , profile and pressure drop vs. flow



HYSV10-23 (2/2 Solenoid Valve,Normally Open)

External dimensions



Material science and order model

Cartridge: weight: 0.16 kg (0.35 lb); Steel, the working face is duratected Surface zine-plated; NBR material sealing and check ring (standard).

Block: weight :0.16 kg (0.35 lb); High-strength performance aluminum alloy with anodic oxidation; #6061 T6; Rated pressure up to 240 bar (3500 psi); Also available with ductile cast iron and steel material; Size might be different, please consult factory.

Standard coil: weight: 0.27kg (0.6 lb); Heat-wrapping pack, Class H heat-resistant enamelled wire;

E type coil: weight :0.41 kg (0.9 lb); Soid metallic shell encapsulated; IP 69K rated, integrated connector.

| Option | Termination std.coil (VDC) | Voltage std.coil | Termination std.coil (VAC) |
|----------------------------|--|------------------|------------------------------------|
| None (Blank) | DS Dual spades | 0 Less coil** | AG DIN 43650 |
| Screen S | DG DIN 43650 | 10 10 VDC † | AP 1/2 inch conduit |
| Manual override W/o knob P | DL Leadwire (2) | 12 12 VDC | E type coil termination (VDC) |
| Manual override W/knob K | DL/W Leadwire, lead w/weatherpak® connectors | 24 24 VDC | ER Deutsch DT04-2P (IP69K rated) |
| Porting | DR Deutsch DT04-2P | 36 36 VDC | EL Leadwire (2) |
| Cartridge only 0 | Termination std.coil (VAC) | 48 48 VDC | EY Metri-Pack® 150 (IP69K rated) |
| SAE 6 6T | | 24 24 VAC | |
| SAE 8 8T | | 115 115 VAC | |
| 1/4 Inch BSP* 2B | | 230 230 VAC | |
| 3/8 Inch BSP* 3B | | | |
| 1/2 Inch BSP* 4B | | | |
| Seals | | | |
| Buna (Std.) N | | 10 10 VDC | |
| Fluorocarbon V | | 12 12 VDC | |
| | | 20 20 VDC | |
| | | 24 24 VDC | |

** Includes std.coil nut
† DS, DW or DL terminations only

Coils with internal diode are available, please consult factory.