

# HYSV16-23 ( 2/2 Solenoid Valve,Normally Open )

## Description

A solenoid operated, 2-way, 2-position, normally open, poppet-type cartridge valve with reverse flow de-energized.

## Operation

When de-energized, the poppet lifts to open flow from ② to ①. Flow is also open from ① to ②. When energized, the cartridge acts as a check valve, allowing flow from ① to ② while blocking flow from ② to ①, after overcoming the solenoid force (requires 3.4 to 10.3 bar [50 to 150 psi]).

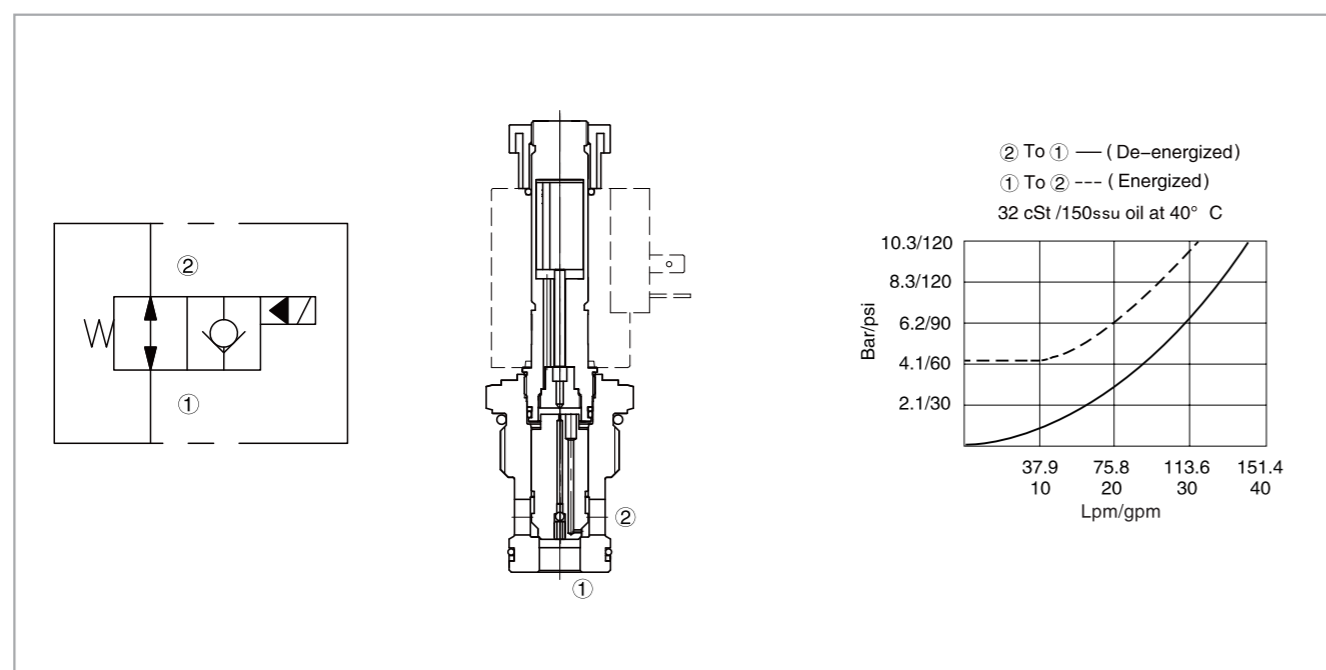
## Operation of manual override option

To override, push button in to activate. To return to normal valve function, release button.

## Specifications

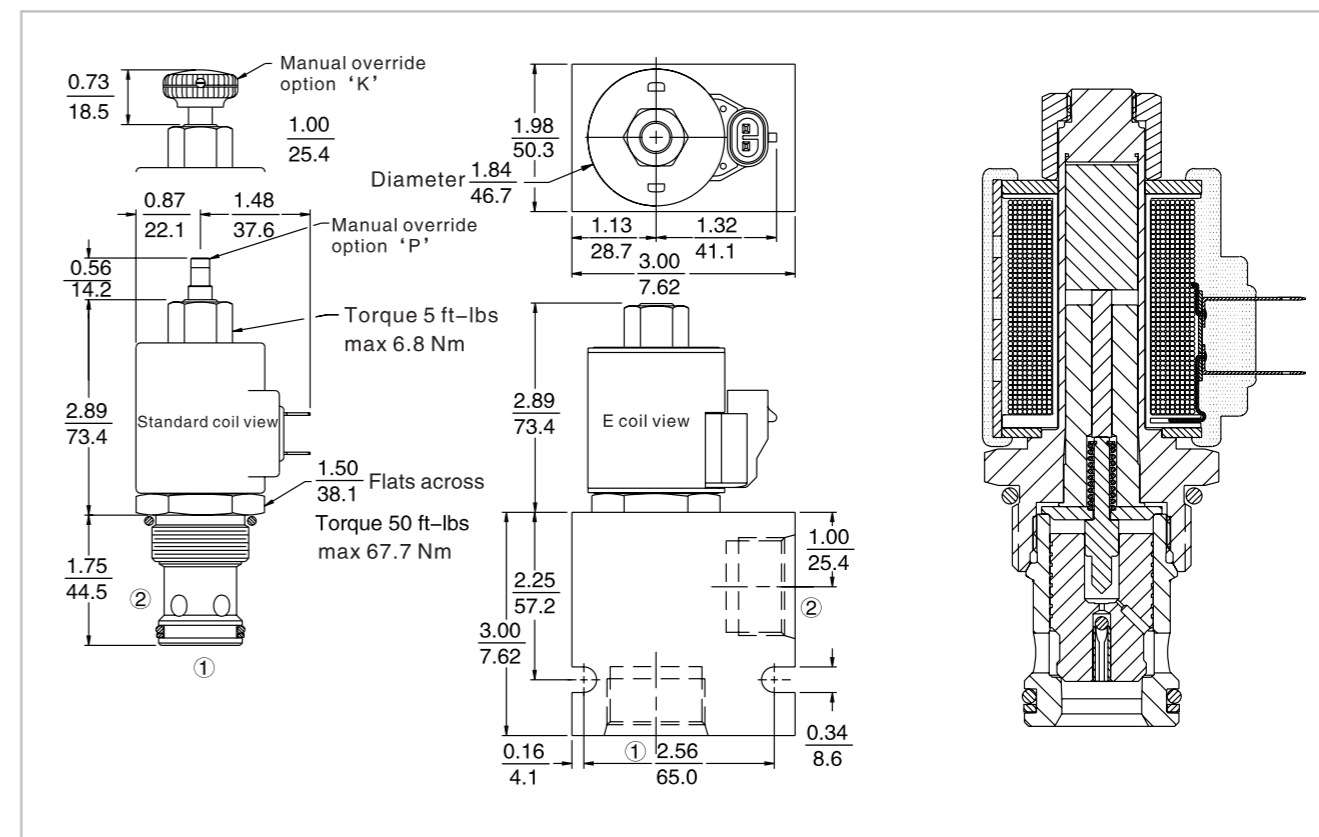
Max. operating pressure:	207 Bar
Flow:	See pressure drop vs.flow graph
Internal leakage:	3 Drops/min.max.at 207 bar
Temperature:	(-40°C To +120°C) with NBR material seals
Coil duty rating:	Continuous from 85% to 115% of nominal voltage
Fluids:	Mineral-based fluids with viscosities of 7.4 to 420 cSt.
Cavity:	HY16-2,see page H.1.5
Body material:	Steel & ductile iron rated to 350 bar

## Code symbol , profile and pressure drop vs.flow



# HYSV16-23 ( 2/2 Solenoid Valve,Normally Open )

## External dimensions



## Material science and order model

Cartridge: weight: 0.31 kg ( 0.69 lb);  
 Steel, the working face is duratected  
 Surface zine-plated;  
 NBR material sealing and  
 check ring (standard).

Block: weight :0.57 kg (1.25 lb);  
 High-strength performance aluminum  
 alloy with anodic oxidation;  
 #6061 T6;

Rated pressure up to 240 bar (3500 psi);  
 Also available with ductile cast iron and  
 steel material;  
 Size might be different, please consult factory.

Standard coil: weight: 0.27kg (0.6 lb);  
 Heat-wrapping pack, Class H  
 heat-resistant enamelled wire;

E type coil: weight :0.14 kg (0.9 lb);  
 Soid metallic shell encapsulated;  
 IP 69K rated, integrated connector.

HYSV16-23		Option		Voltage std.coil		Termination std.coil (VDC)	
None	(Blank)	0	Less coil**	DS	Dual spades		
Manual override	W/o knob	10	10 VDC †	DG	DIN 43650		
Manual override	W/knob	12	12 VDC	DL	Leadwire (2)		
		24	24 VDC	DL/W	Leadwire, lead		
		36	36 VDC		w/weatherpak® connectors		
		48	48 VDC	DR	Deutsch DT04-2P		
		24	24 VAC		Termination std.coil (VAC)		
		115	115 VAC				
		230	230 VAC	AG	DIN 43650		
				AP	1/2 inch conduit		
					E type coil termination (VDC)		
		10	10 VDC	ER	Deutsch DT04-2P		
		12	12 VDC		( IP69K rated )		
		20	20 VDC	EY	Metri-Pack® 150		
		24	24 VDC		( IP69K rated )		
					Coils with internal diode are available, please consult factory.		

Porting	
Cartridge only	0
SAE 12	12T
SAE 16	16T
3/4 Inch BSP*	6B
1 Inch BSP*	8B

Seals	
Buna (Std.)	N
Fluorocarbon	V