

HYSV08-25 (2/2 Solenoid Valve, Non-return Type)

Description

A solenoid operated, 2-way, 2-position, normally open, spool-type cartridge valve.

Operation

When de-energized, the valve allows flow in both directions. When energized, the cartridge's spool shifts to block flow in both directions.

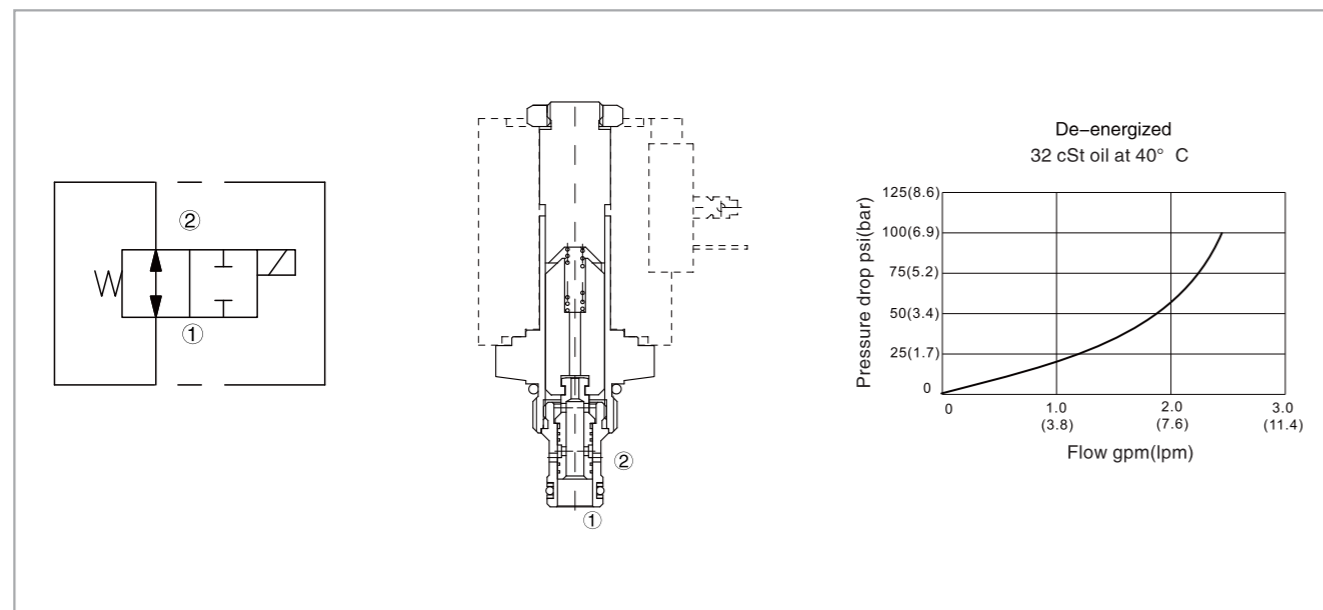
Operation of manual override option

To override, push button in, twist counterclockwise 180° and release. In this position, the valve will remain close in a detented condition. To return to normal operation, push button in, twist clockwise 180° and release. Override will be detented in this position.

Specifications

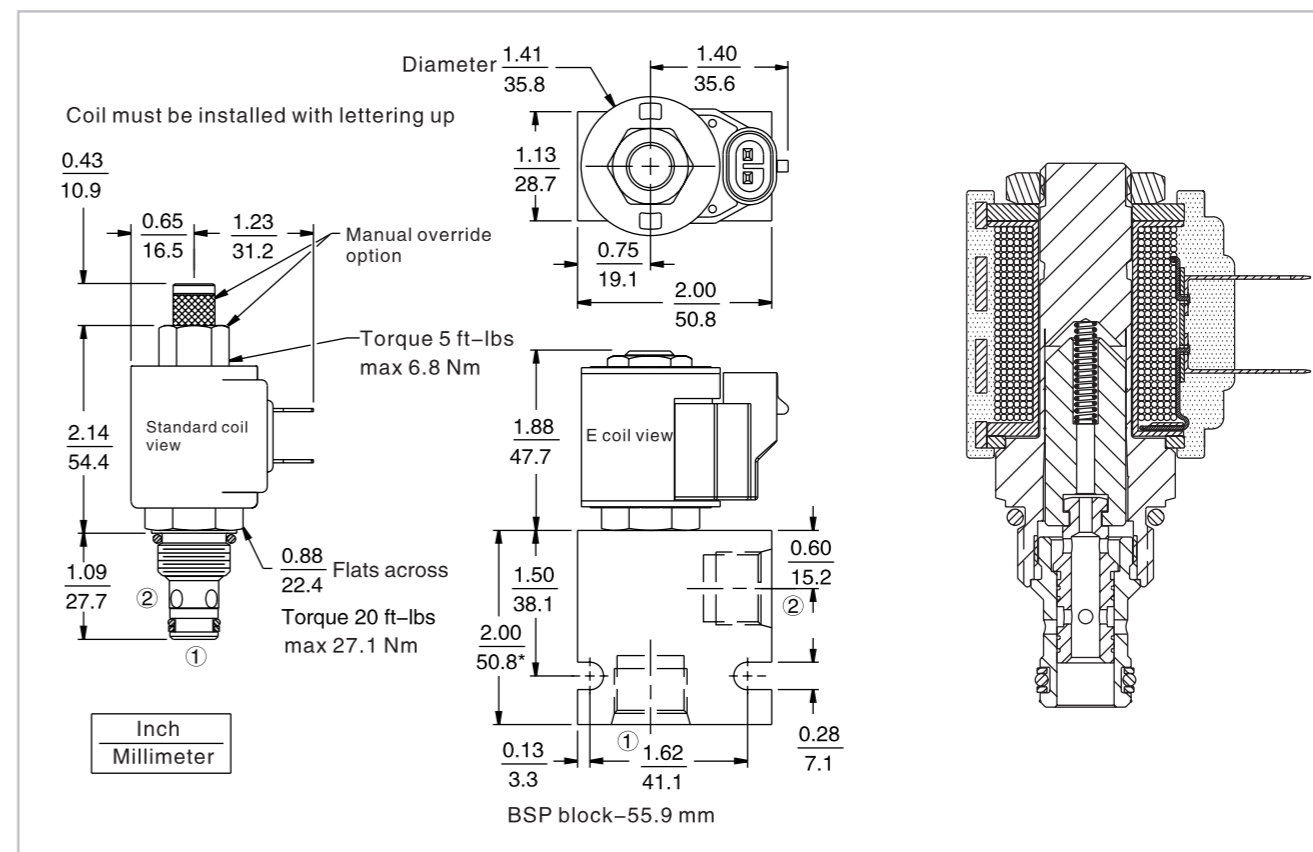
Max. operating pressure:	207 Bar
Flow:	See pressure drop vs. flow graph
Internal leakage:	82 cc/min. max. at 207 bar
Temperature:	(-40°C To +120°C) with NBR material seals
Coil duty rating:	Continuous from 85% to 115% of nominal voltage
Fluids:	Mineral-based fluids with viscosities of 7.4 to 420 cSt.
Cavity:	HY08-2, see page H.1.2
Body material:	6061-T6 Aluminum alloy rated to 207 bar, steel & ductile iron rated to 350 bar

Code symbol, profile and pressure drop vs. flow



HYSV08-25 (2/2 Solenoid Valve, Non-return Type)

External dimensions



Material science and order model

Cartridge: weight: 0.09 kg (0.20 lb);
Steel, the working face is duratected
Surface zinc-plated;
NBR material sealing and
check ring (standard).

Block: weight: 0.16 kg (0.35 lb);
High-strength performance aluminum
alloy with anodic oxidation;
#6061 T6;
Rated pressure up to 240 bar (3500 psi);
See 8.008.1. Also available with ductile
cast iron and steel material;
Size might be different, please consult factory.

Standard coil: weight: 0.11 kg (0.25 lb);
Heat-wrapping pack, Class H
heat-resistant enamelled wire;
See 3.200.1.

E type coil: weight: 0.14 kg (0.3 lb);
Soid metallic shell encapsulated;
IP 69K rated, integrated connector.

Note: regarding all new application for
E type coil, please refer to 3.400.1.

Option		Voltage std. coil		Termination std. coil (VDC)	
None (Blank)		0	Less coil**	DS	Dual spades
Manual override	M	10	10 VDC †	DG	DIN 43650
screen	S	12	12 VDC	DL	Leadwire (2)
		24	24 VDC	DL/W	Leadwire, lead w/weatherpak® connectors
		36	36 VDC	DR	Deutsch DT04-2P
		48	48 VDC		Termination std. coil (VAC)
		24	24 VAC	AG	DIN 43650
		115	115 VAC	AP	1/2 inch conduit
		230	230 VAC		E type coil termination (VDC)
				ER	Deutsch DT04-2P (IP69K rated)
				EY	Metri-Pack® 150 (IP69K rated)
					Coils with internal diode are available, please consult factory.

Porting		E type coil	
Cartridge only	0	10	10 VDC
SAE 4	4T	12	12 VDC
SAE 6	6T	20	20 VDC
SAE 8	8T	24	24 VDC
1/4 Inch BSP*	2B		
3/8 Inch BSP*	3B		
1/2 Inch BSP*	4B		

Seals	
Buna (Std.)	N
Fluorocarbon	V

*BSP block only for UK made