

HYSV10-28 (2/2 Solenoid Valve, Non-return Type)

Description

A solenoid operated, 2-way, 2-position, normally closed, poppet-type bi-directional cartridge valve.

Operation

When de-energized, the valve blocks flow in both directions. When energized, the poppet shifts to allow flow in either direction.

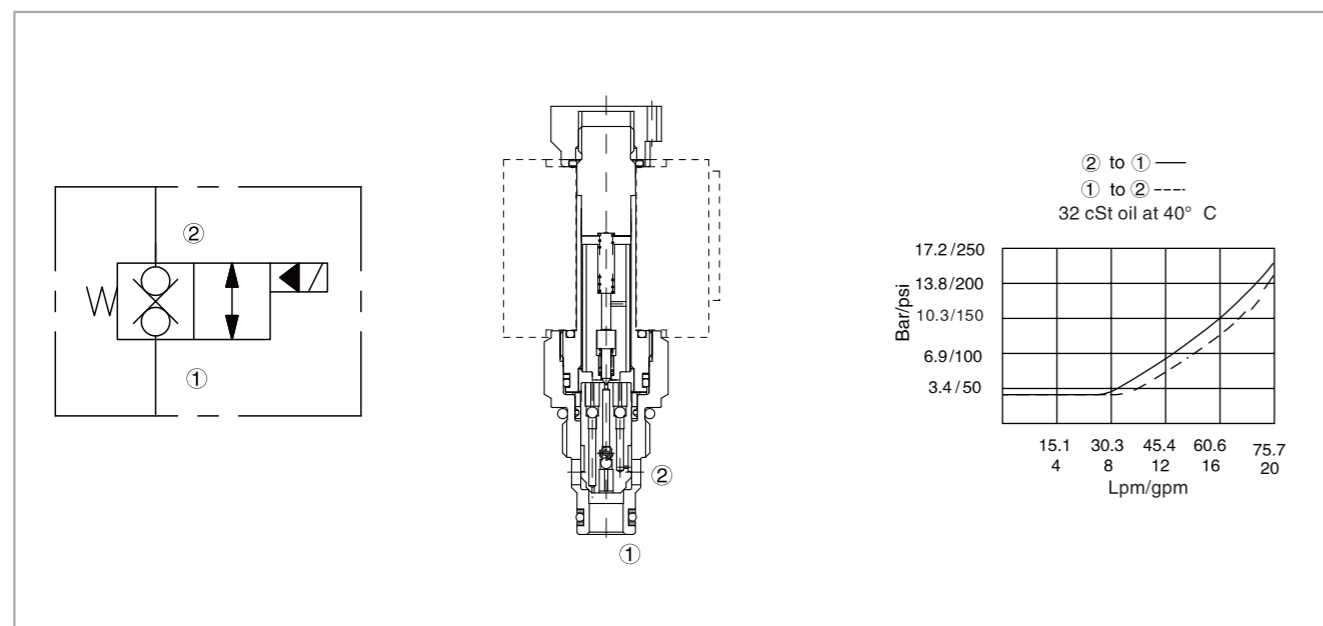
Operation of manual override option

To override, push button in, twist counterclockwise 180° and release. In this position, the valve will remain open in a detented condition. To return to normal operation, push button in, twist clockwise 180° and release. Override will be detented in this position.

Specifications

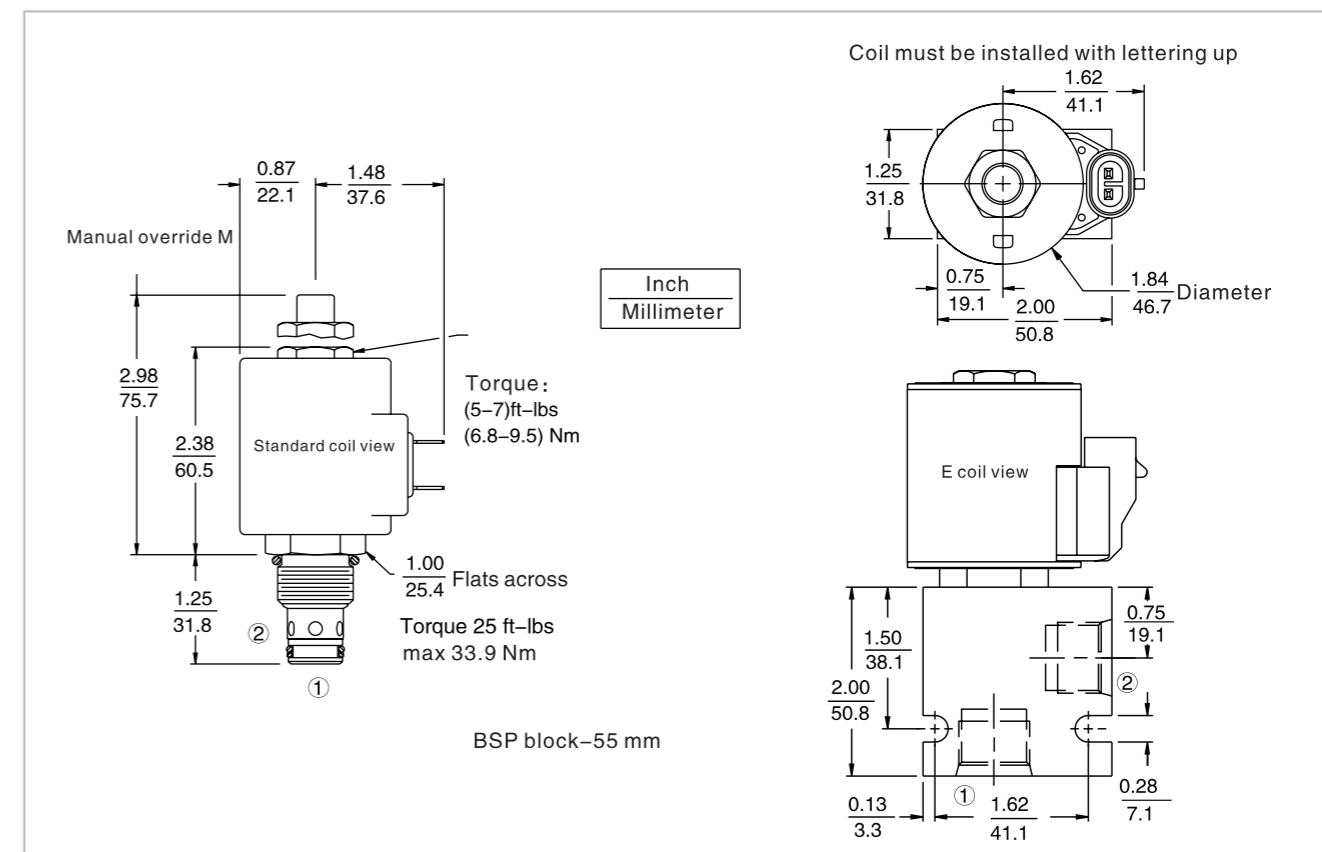
Max. operating pressure:	240 Bar
Flow:	See pressure drop vs. flow graph
Internal leakage:	5 Drops/min. max. at 240 bar
Temperature:	(-40°C To +120°C) with NBR material seals
Coil duty rating:	Continuous from 85% to 115% of nominal voltage
Fluids:	Mineral-based fluids with viscosities of 7.4 to 420 cSt.
Cavity:	HY10-2, see page H.1.3
Body material:	Steel & ductile iron rated to 350 bar

Code symbol, profile and pressure drop vs. flow



HYSV10-28 (2/2 Solenoid Valve, Non-return Type)

External dimensions



Material science and order model

Cartridge: weight: 0.16 kg (0.35 lb); Steel, the working face is duratected Surface zinc-plated; NBR material sealing and check ring (standard).

Block: weight: 0.16 kg (0.35 lb); High-strength performance aluminum alloy with anodic oxidation; #6061 T6; Rated pressure up to 240 bar (3500 psi); Also available with ductile cast iron and steel material; Size might be different, please consult factory.

Standard coil: weight: 0.11 kg (0.25 lb); Heat-wrapping pack, Class H heat-resistant enamelled wire;

E type coil: weight: 0.41 kg (0.90 lb); Soid metallic shell encapsulated; IP 69K rated, integrated connector.

Option	Porting	Seals	Voltage std. coil	Termination std. coil (VDC)
None (Blank)	Cartridge only	Buna (Std.)	0 Less coil**	DS Dual spades
Manual override M	SAE 6	Fluorocarbon	10 10 VDC †	DG DIN 43650
	SAE 8		12 12 VDC	DL Leadwire (2)
	1/4 Inch BSP*		24 24 VDC	DL/W Leadwire, lead w/weatherpak® connectors
	3/8 Inch BSP*		36 36 VDC	DR Deutsch DT04-2P
	1/2 Inch BSP*		48 48 VDC	Termination std. coil (VAC)
			24 24 VAC	AG DIN 43650
			115 115 VAC	AP 1/2 inch conduit
			230 230 VAC	E type coil termination (VDC)
			** Includes std. coil nut	ER Deutsch DT04-2P (IP69K rated)
			† DS, DW or DL terminations only	EL Leadwire (2)
				EY Metri-Pack® 150 (IP69K rated)
				Coils with internal diode are available, please consult factory.