

# HYSV12-28 (2/2 Solenoid Valve, Non-return Type)

## Description

A solenoid operated, 2-way, 2-position, normally closed, poppet-type bi-directional cartridge valve.

## Operation

When de-energized, the valve blocks flow in both directions. When energized, the poppet shifts to allow flow in either direction.

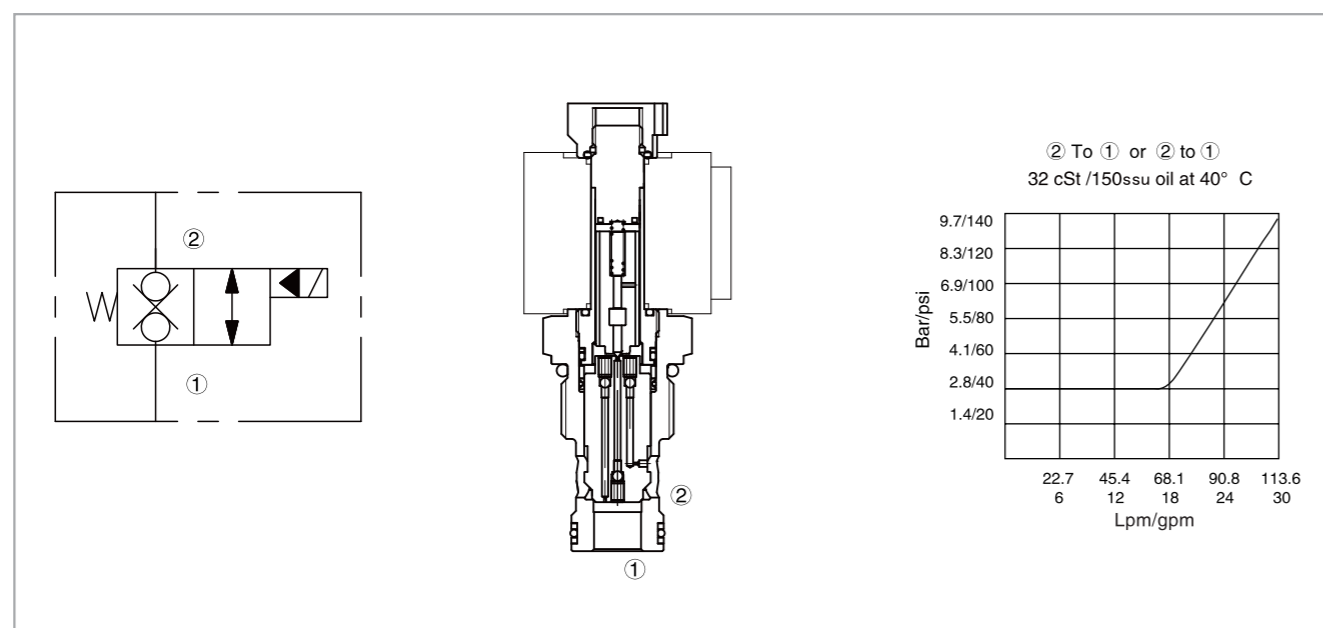
## Operation of manual override option

To override, push button in, twist counterclockwise 180° and release. In this position, the valve will remain open in a detented condition. To return to normal operation, push button in, twist clockwise 180° and release. Override will be detented in this position.

## Specifications

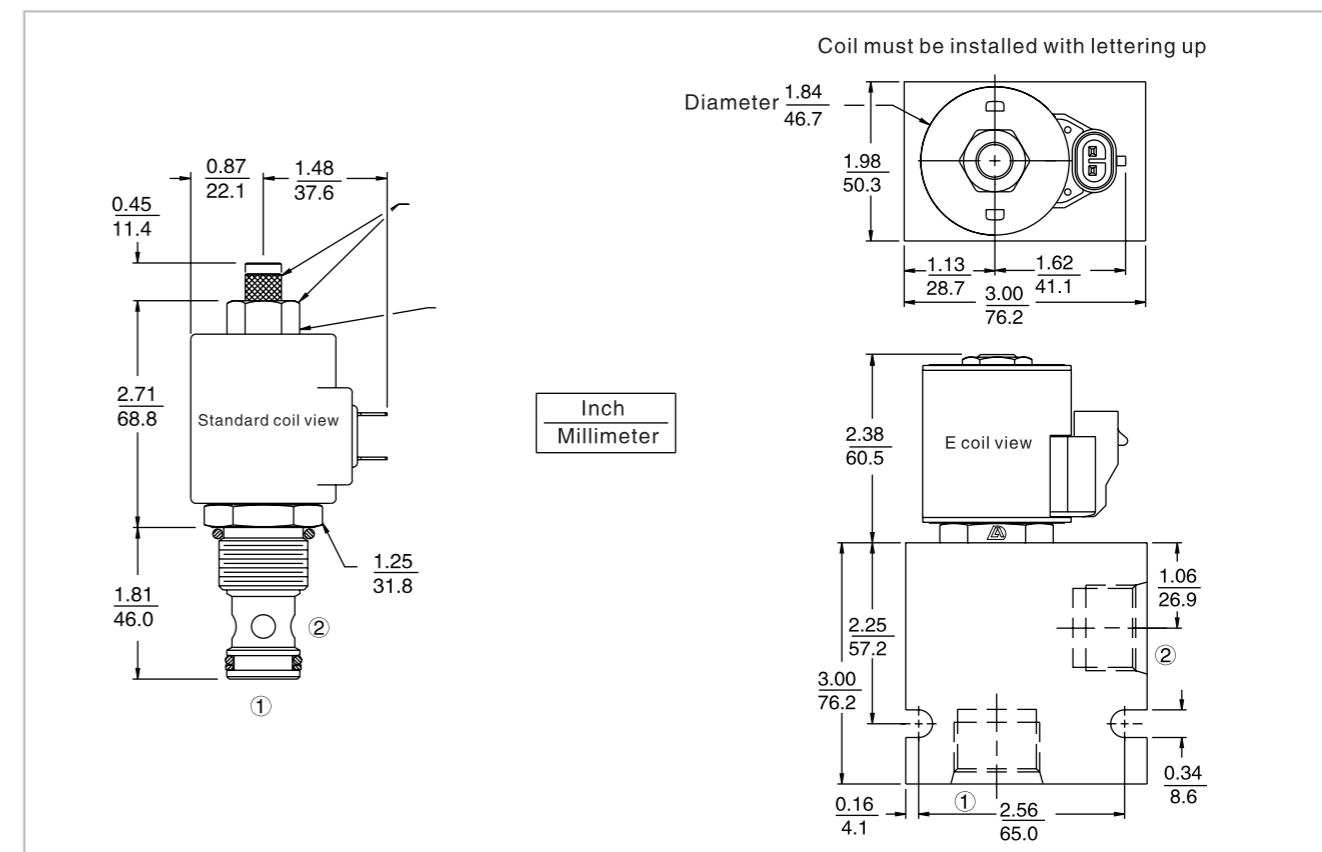
Max. operating pressure:	240 Bar
Flow:	See pressure drop vs. flow graph
Internal leakage:	7 Drops/min. max. at 240 bar
Temperature:	(-40°C To +120°C) with NBR material seals
Coil duty rating:	Continuous from 85% to 115% of nominal voltage
Fluids:	Mineral-based fluids with viscosities of 7.4 to 420 cSt.
Cavity:	HY12-2, see page H.1.5
Body material:	Steel & ductile iron rated to 350 bar

## Code symbol, profile and pressure drop vs. flow



# HYSV12-28 (2/2 Solenoid Valve, Non-return Type)

## External dimensions



## Material science and order model

Cartridge: weight: 0.25 kg (0.55 lb); Steel, the working face is duratected Surface zine-plated; NBR material sealing and check ring (standard).  
 Block: weight: 0.57 kg (1.25 lb); High-strength performance aluminum alloy with anodic oxidation; #6061 T6; Rated pressure up to 240 bar (3500 psi); Also available with ductile cast iron and steel material; Size might be different, please consult factory.  
 Standard coil: weight: 0.27kg (0.60 lb); Heat-wrapping pack, Class H heat-resistant enamelled wire;  
 E type coil: weight: 0.41 kg (0.9 lb); Soid metallic shell encapsulated; IP 69K rated, integrated connector.

HYSV12-28		Option		Voltage std. coil		Termination std. coil (VDC)	
		None (Blank)		0 Less coil**		DS Dual spades	
		Manual override M		10 10 VDC †		DG DIN 43650	
		Manual override Y		12 12 VDC		DL Leadwire (2)	
		Manual override J		24 24 VDC		DL/W Leadwire, lead w/weatherpak® connectors	
				36 36 VDC		DR Deutsch DT04-2P	
				48 48 VDC		Termination std. coli (VAC)	
				24 24 VAC			
				115 115 VAC		AG DIN 43650	
				230 230 VAC		AP 1/2 inch conduit	
				** Includes std. coil nut			
				† DS, DW or DL terminations only			
				E type coil termination (VDC)			
				10 10 VDC		ER Deutsch DT04-2P (IP69K rated)	
				12 12 VDC		EL Leadwire (2)	
				20 20 VDC		EY Metri-Pack® 150 (IP69K rated)	
				24 24 VDC		Coils with internal diode are available, please consult factory.	