

# HYSV08-29 (2/2 Solenoid Valve, Non-return Type)

## Description

A solenoid operated, 2-way, 2-position, normally open, poppet-type bi-directional cartridge valve.

## Operation

When de-energized, the poppet allows flow in both directions. When energized, the valve blocks flow in both directions.

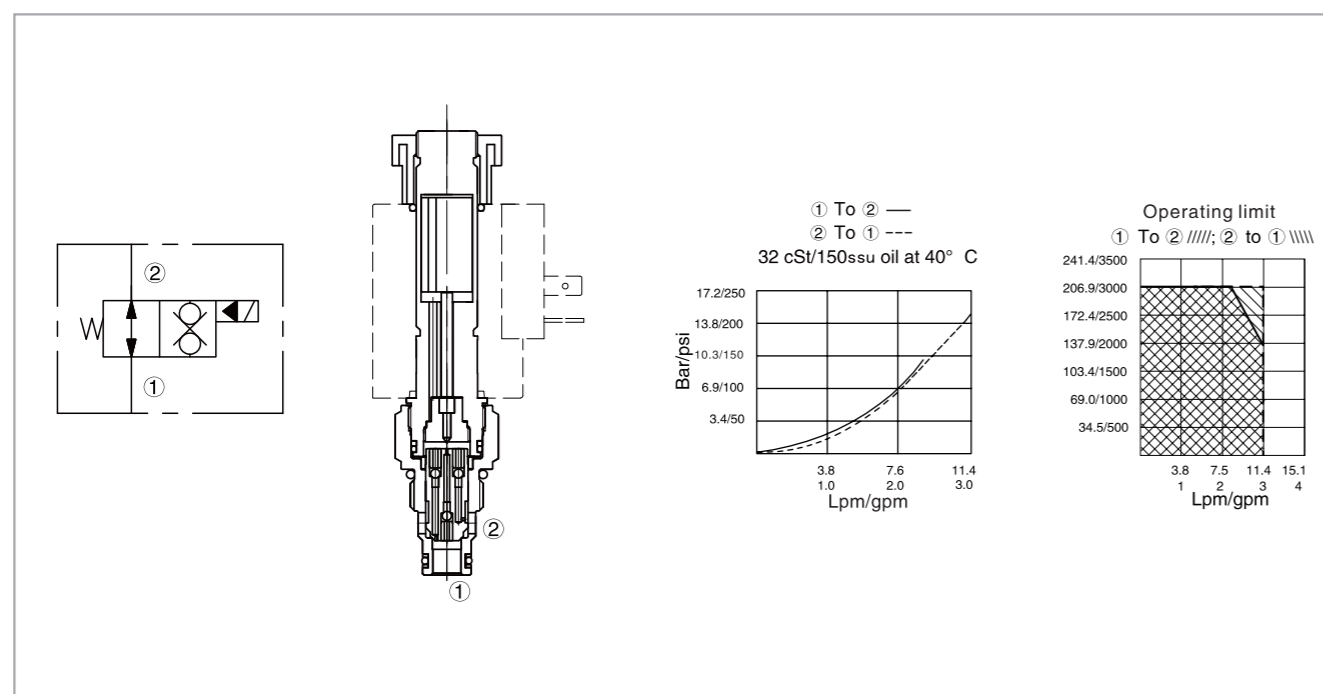
## Operation of manual override option

To override, push button in to activate. To return to normal valve function, release button.

## Specifications

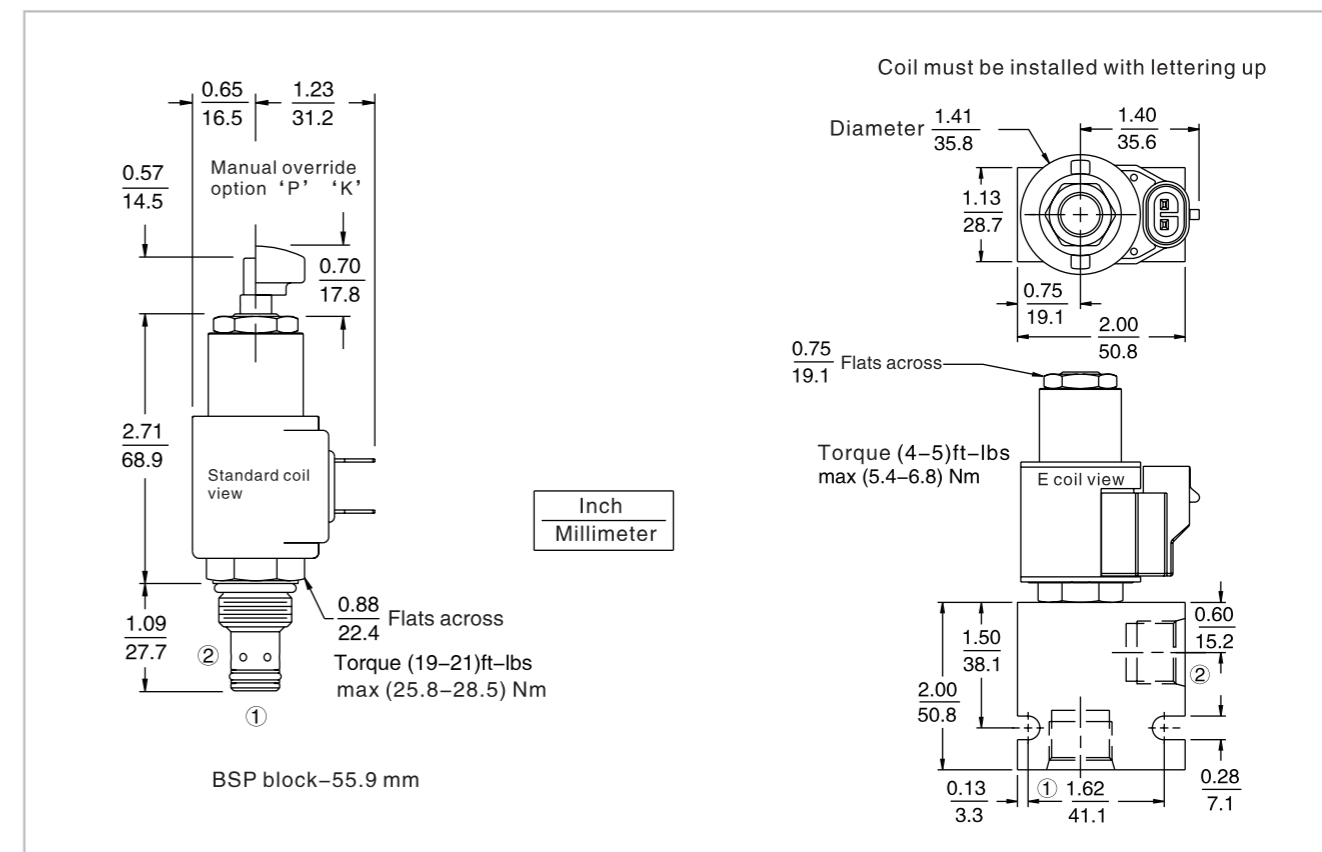
Max. operating pressure:	207 Bar
Flow:	See pressure drop vs. flow graph
Internal leakage:	5 Drops/min. max. at 207 bar
Temperature:	(-40°C To +120°C) with NBR material seals
Coil duty rating:	Continuous from 85% to 115% of nominal voltage
Fluids:	Mineral-based fluids with viscosities of 7.4 to 420 cSt.
Cavity:	HY08-2, see page H.1.2
Body material:	Steel & ductile iron rated to 350 bar

## Code symbol, profile and pressure drop vs. flow



# HYSV08-29 (2/2 Solenoid Valve, Non-return Type)

## External dimensions



## Material science and order model

Cartridge: weight: 0.18 kg (0.40 lb); Steel, the working face is duratected Surface zine-plated; NBR material sealing and check ring (standard).

Block: weight :0.16 kg (0.35 lb); High-strength performance aluminum alloy with anodic oxidation; #6061 T6; Rated pressure up to 207 bar (3000 psi); Also available with ductile cast iron and steel material; Size might be different, please consult factory.

Standard coil: weight: 0.11 kg (0.25 lb); Heat-wrapping pack, Class H heat-resistant enamelled wire;

E type coil: weight :0.41 kg (0.9 lb); Soid metallic shell encapsulated; IP 69K rated, integrated connector.

HYSV08-29		Option		Voltage std. coil		Termination std. coil (VDC)	
		Without manual override (Blank)	150 μ screen U	0	Less coil**	DS	Dual spades
		Manual override M		10	10 VDC †	DG	DIN 43650
				12	12 VDC	DL	Leadwire (2)
				24	24 VDC	DL/W	Leadwire, lead
				36	36 VDC	DR	w/weatherpak® connectors
				48	48 VDC		Deutsch DT04-2P
				24	24 VAC		Termination std. coli (VAC)
				115	115 VAC	AG	DIN 43650
				230	230 VAC	AP	1/2 inch conduit
				** Includes std. coil nut			
				† DS, DW or DL terminations only			
				E type coil termination (VDC)			
				10	10 VDC	ER	Deutsch DT04-2P (IP69K rated)
				12	12 VDC	EL	Leadwire (2)
				20	20 VDC	EY	Metri-Pack® 150 (IP69K rated)
				24	24 VDC	Coils with internal diode are available, please consult factory.	