

HYSV10-29 (2/2 Solenoid Valve, Non-return Type)

Description

A solenoid operated, 2-way, 2-position, normally open, poppet-type bi-directional cartridge valve.

Operation

When de-energized, the poppet allows flow in both directions. When energized, the valve blocks flow in both directions.

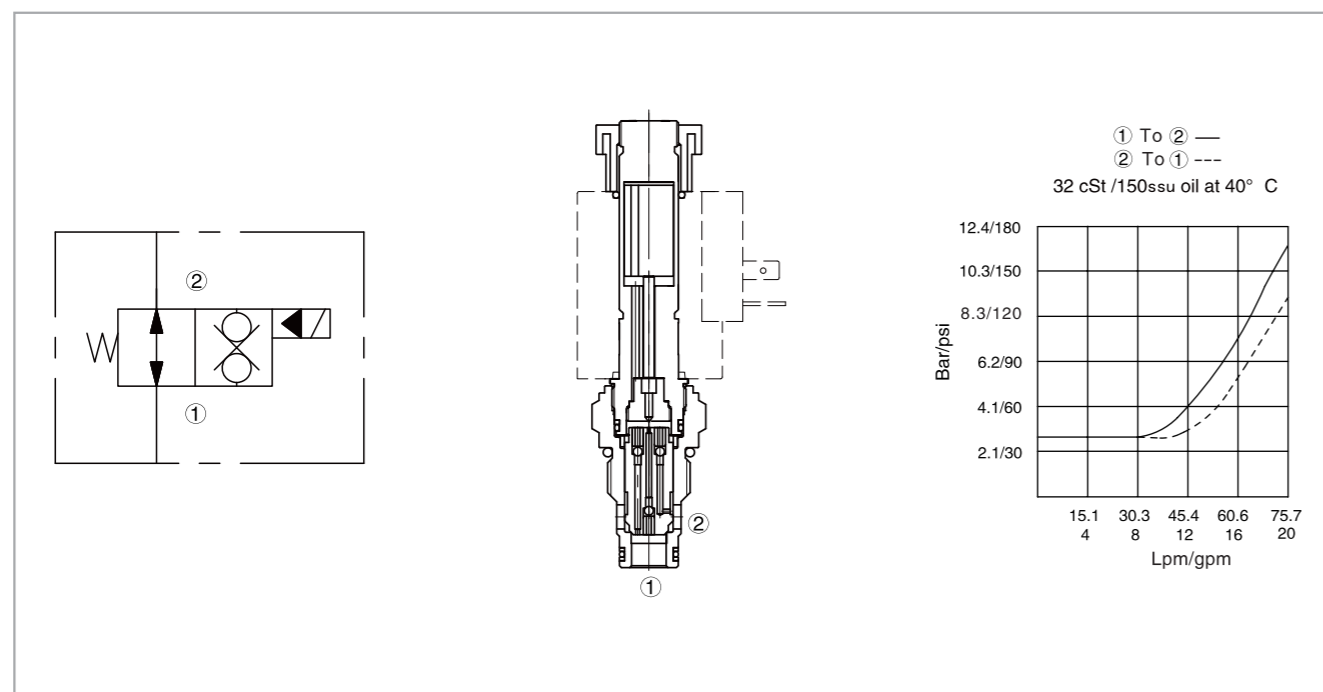
Operation of manual override option

To override, push button in to activate. To return to normal valve function, release button.

Specifications

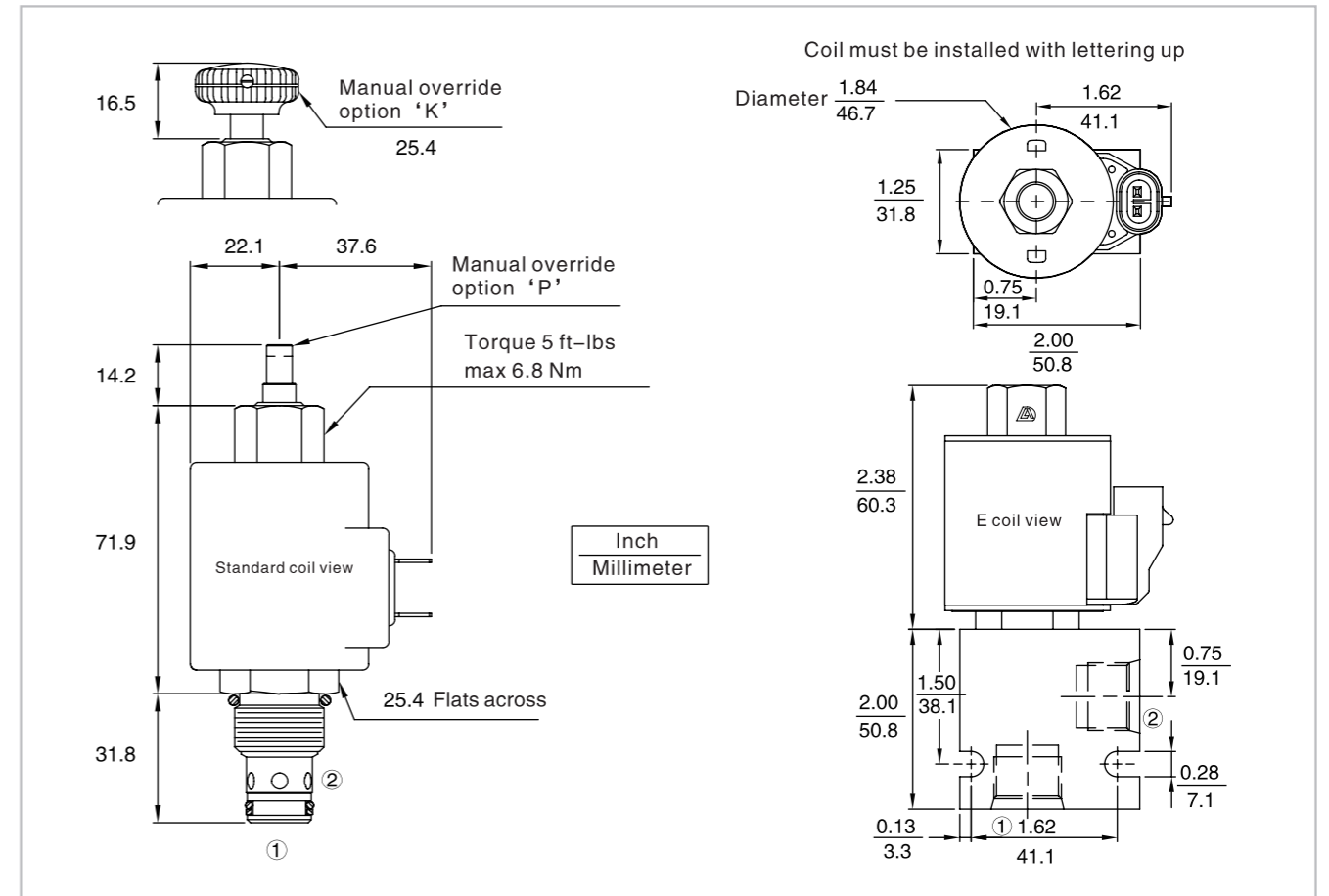
Max. operating pressure:	240 Bar
Flow:	See pressure drop vs. flow graph
Internal leakage:	5 Drops/min. max. at 240 bar
Temperature:	(-40°C To +120°C) with NBR material seals
Coil duty rating:	Continuous from 85% to 115% of nominal voltage
Fluids:	Mineral-based fluids with viscosities of 7.4 to 420 cSt.
Cavity:	HY10-2, see page H.1.3
Body material:	Steel & ductile iron rated to 350 bar

Code symbol, profile and pressure drop vs. flow



HYSV10-29 (2/2 Solenoid Valve, Non-return Type)

External dimensions



Material science and order model

Cartridge: weight: 0.18 kg (0.40 lb); Steel, the working face is duratected Surcace zine-plated; NBR material sealing and check ring (standard).

Block: weight: 0.16 kg (0.35 lb); High-strength performance aluminum alloy with anodic oxidation; #6061 T6; Rated pressure up to 207 bar (3000 psi); Also available with ductile cast iron and steel material; Size might be different, please consult factory.

Standard coil: weight: 0.27kg (0.6 lb); Heat-wrappinf pack, Class H heat-resistant enamelled wire;

E type coil: weight: 0.41 kg (0.9 lb); Soid metallic shell encapsulated; IP 69K rated, integrated connector.

HYSV10-29

Option	Without manual override (Blank)	Manual override W/o knob	Manual override W/knob	Porting	Seals	Voltage std. coil	Termination std. coil (VDC)
		P	K	Cartridge only 0	Buna (Std.) N	0 Less coil**	DS Dual spades
				3/8 Inch BSP* 3B	Fluorocarbon V	10 10 VDC †	DG DIN 43650
				M14 x 1.5 14		12 12 VDC	DL Leadwire (2)
				M16 x 1.5 16		24 24 VDC	DL/W Leadwire, lead w/weatherpak® connectors
						36 36 VDC	DR Deutsch DT04-2P
						48 48 VDC	Termination std. coli (VAC)
						24 24 VAC	AG DIN 43650
						115 115 VAC	AP 1/2 inch conduit
						230 230 VAC	E type coil termination (VDC)
						** Includes std. coil nut	ER Deutsch DT04-2P (IP69K rated)
						† DS, DW or DL terminations only	EL Leadwire (2)
							EY Metri-Pack® 150 (IP69K rated)
							Coils with internal diode are available, please consult factory.