

HYSV08-31 (3/2 Solenoid Valve, Spool Tyle)

Description

A solenoid operated, 3-way, 2-position, spool-type cartridge valve.

Operation

When de-energized, the valve allows flow ② to ①, while blocking flow at ③. When energized, the cartridge's spool shifts to allow flow ① to ③, while blocking flow at ②.

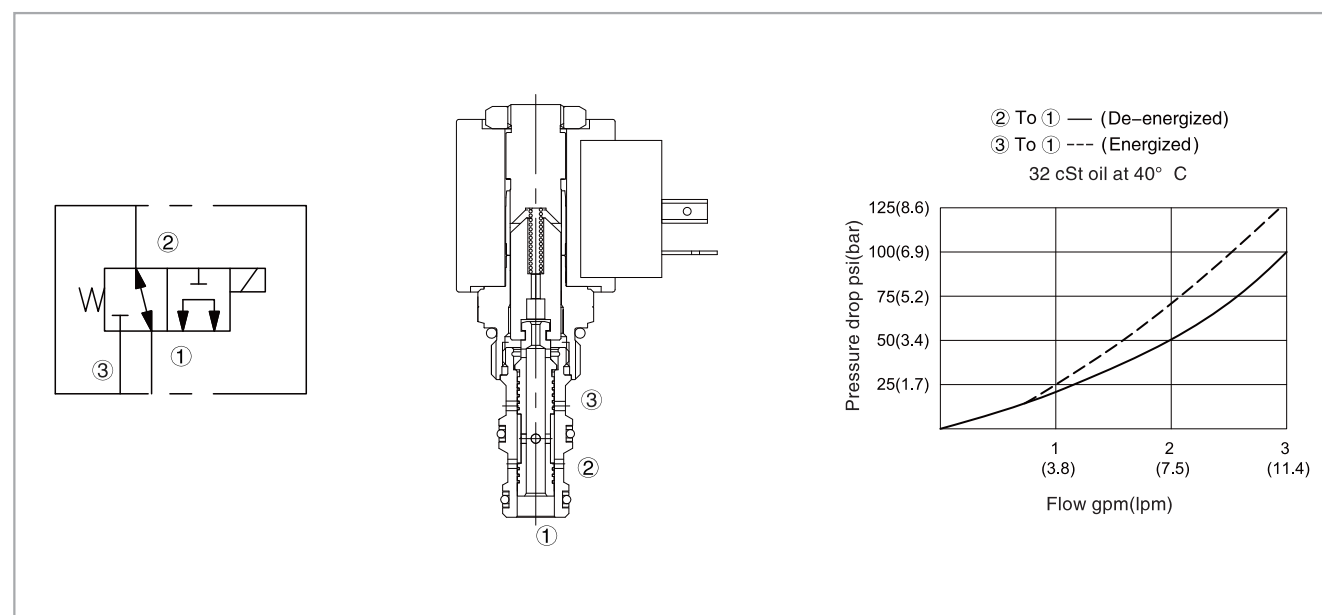
Operation of manual override option

To override, push button in, twist counterclockwise 180° and release. In this position, the valve will remain detented in the shifted condition. To return to normal operation, push button in, twist clockwise 180° and release. Override will be detented in this position.

Specifications

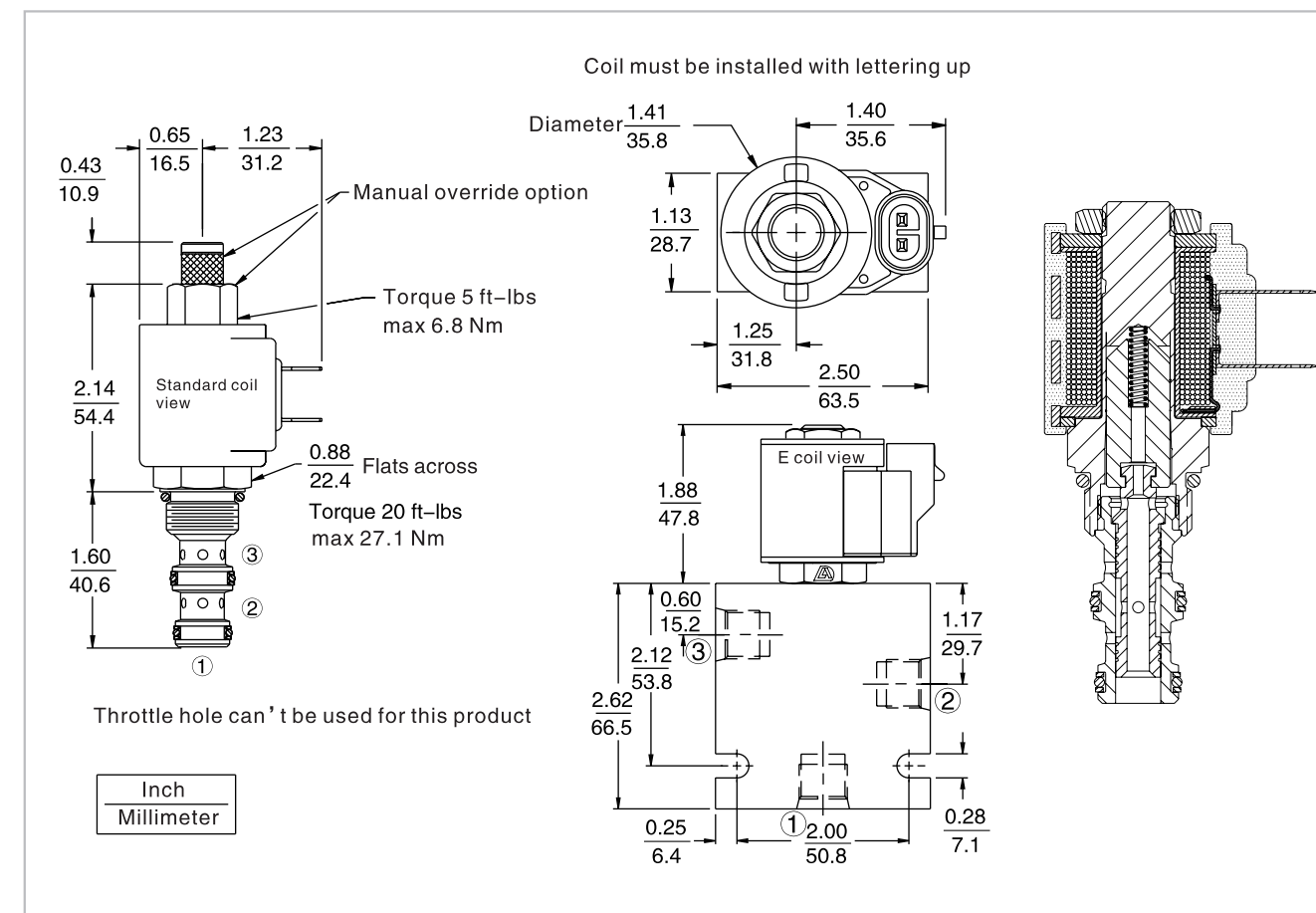
Max. operating pressure:	207 Bar
Flow:	See pressure drop vs.flow graph
Internal leakage:	(per land) 82 cc/min.max.at 207 bar
Temperature:	(-40°C To +120°C) with NBR material seals
Coil duty rating:	Continuous from 85% to 115% of nominal voltage
Filtration:	Mineral-based fluids with viscosities of 7.4 to 420 cSt.
Cavity:	HY08-3,see page H.1.2
Body material:	6061-T6 Aluminum alloy rated to 207 bar, steel & ductile iron rated to 350 bar

Code symbol , profile and pressure drop vs.flow



HYSV08-31 (3/2 Solenoid Valve, Spool Tyle)

External dimensions



Material science and order model

Cartridge: weight: 0.13 kg (0.28 lb); Steel, the working face is duratected Surcace zine-plated; NBR material sealing and check ring (standard).

Block: weight :0.27 kg (0.60 lb); High-strength performance aluminum alloy with anodic oxidation; #6061 T6; Rated pressure up to 240 bar (3500 psi); Also available with ductile cast iron and steel material; Size might be different, please consult factory.

Standard coil: weight: 0.11 kg (0.25 lb); Heat-wrappinf pack, Class H heat-resistant enamelled wire;

E type coil: weight :0.14 kg (0.3 lb); Soid metallic shell encapsulated; IP 69K rated, integrated connector.

HYSV08-31		Voltage std.coil		Termination std.coil (VDC)	
Option	Without manual override (Blank)	0	Less coil**	DS	Dual spades
	Manual override M	10	10 VDC †	DG	DIN 43650
Porting		12	12 VDC	DL	Leadwire (2)
Cartridge only	0	24	24 VDC	DL/W	Leadwire,lead w/weatherpak®connectors
SAE 6	6T	36	36 VDC	DR	Deutsch DT04-2P
1/4 Inch BSP*	2B	48	48 VDC		Termination std.coil (VAC)
		24	24 VAC	AG	DIN 43650
		115	115 VAC	AP	1/2 inch conduit
		230	230 VAC		E type coil termination (VDC)
Seals				ER	Deutsch DT04-2P (IP69K rated)
Buna (Std.)	N	10	10 VDC	EL	Leadwire (2)
Fluorocarbon	V	12	12 VDC	EY	Metri-Pack® 150 (IP69K rated)
		20	20 VDC		
		24	24 VDC		

** Includes std.coil nut
 † DS, DW or DL terminations only

Coils with internal diode are available, please consult factory.