

HYSV10-31 (3/2 Solenoid Valve, Spool Type)

Description

A solenoid operated, 3-way, 2-position, spool-type cartridge valve.

Operation

When de-energized, the valve allows flow ② to ①, while blocking flow at ③. When energized, the cartridge's spool shifts to allow flow ① to ③, while blocking flow at ②.

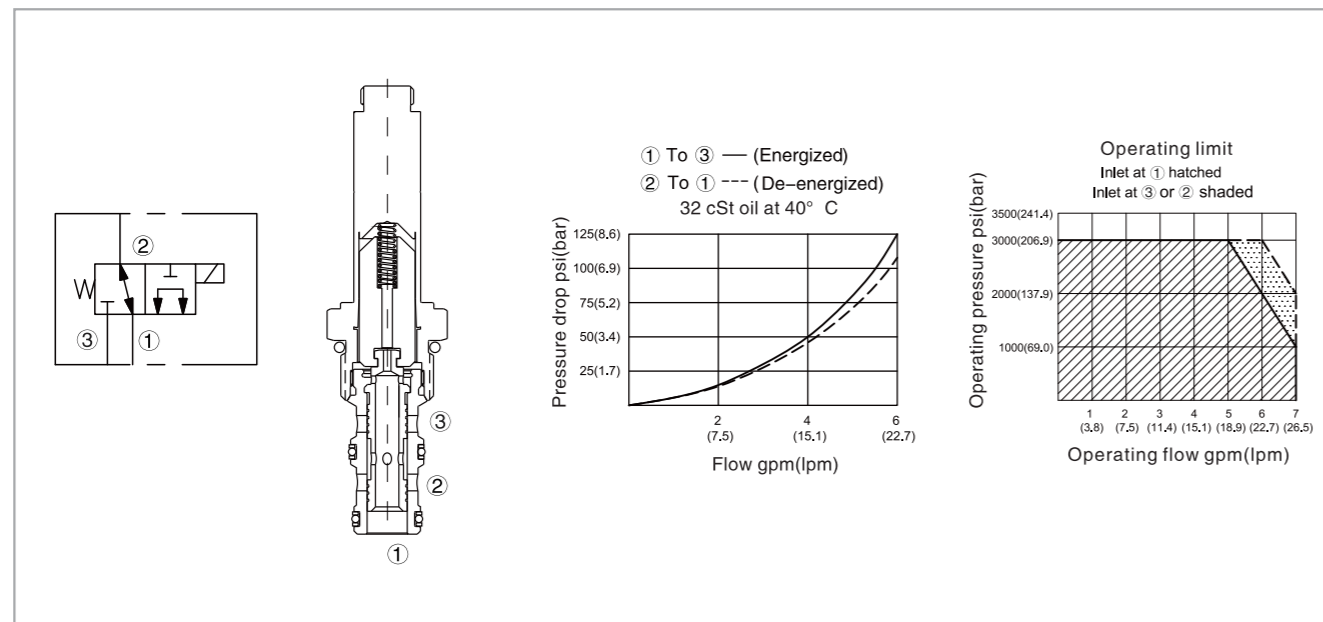
Operation of manual override option

To override, push button in, twist counterclockwise 180° and release. In this position, the valve will remain detented in the shifted condition. To return to normal operation, push button in, twist clockwise 180° and release. Override will be detented in this position.

Specifications

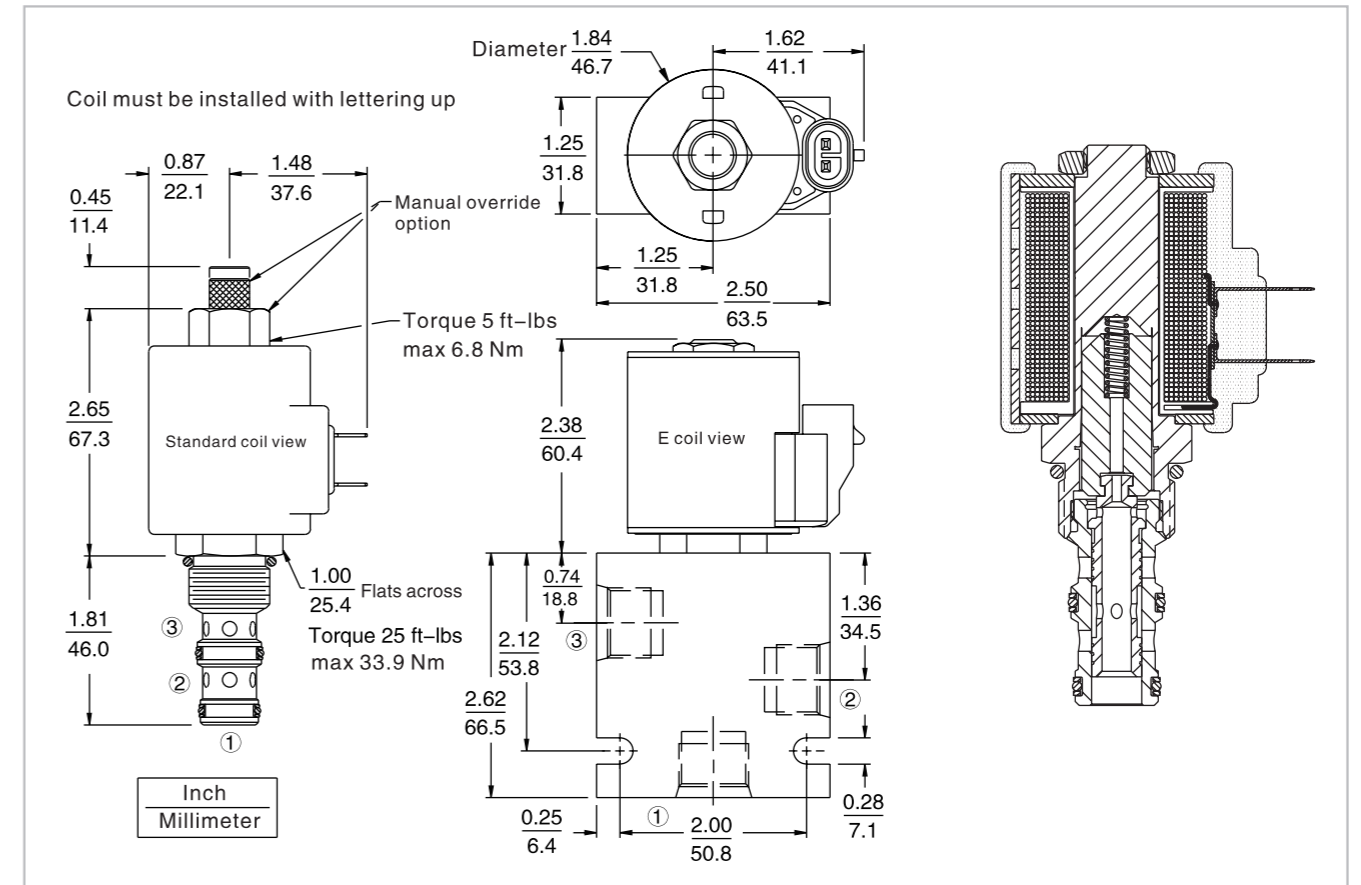
Max. operating pressure:	207 Bar
Flow:	See pressure drop vs. flow graph
Internal leakage:	(Per land) 82 cc/min. max. at 207 bar
Temperature:	(-40°C To +120°C) with NBR material seals
Coil duty rating:	Continuous from 85% to 115% of nominal voltage
Fluids:	Mineral-based fluids with viscosities of 7.4 to 420 cSt.
Cavity:	HY10-3, see page H.1.4
Body material:	6061-T6 Aluminum alloy rated to 207 bar, steel & ductile iron rated to 350 bar

Code symbol, profile and pressure drop vs. flow



HYSV10-31 (3/2 Solenoid Valve, Spool Type)

External dimensions



Material science and order model

Cartridge: weight: 0.14 kg (0.30 lb); Steel, the working face is duratected Surcace zine-plated; NBR material sealing and check ring (standard).

Block: weight :0.36 kg (0.80 lb); High-strength performance aluminum alloy with anodic oxidation; #6061 T6; Rated pressure up to 240 bar (3500 psi) 1.001.1
See 8.010.1. Also available with ductile cast iron and steel material; Size might be different, please consult factory.
Standard coil: weight: 0.27kg (0.60 lb); Heat-wrappinf pack, Class H heat-resistant enamelled wire; See 3.200.1.

E type coil: weight :0.14 kg (0.3 lb); Soid metallic shell encapsulated; IP 69K rated, integrated connector. Note: regarding all new application for E type coil, please refer to 3.400.1.

HYSV10-31		Voltage std.coil		Termination std.coil (VDC)	
Option	None (Blank)	0	Less coil**	DS	Dual spades
Manual override	M	10	10 VDC †	DG	DIN 43650
Manual override	J	12	12 VDC	DL	Leadwire (2)
Information about manual override, please refer to 4.001.1		24	24 VDC	DL/W	Leadwire, lead w/weatherpak® connectors
Porting		36	36 VDC	DR	Deutsch DT04-2P
Cartridge only	0	48	48 VDC	Termination std.coil (VAC)	
SAE 6	6T	24	24 VAC	115	115 VAC
SAE 8	8T	230	230 VAC	230	230 VAC
1/4 Inch BSP*	2B	** Includes std.coil nut			
3/8 Inch BSP*	3B	† DS, DW or DL terminations only			
*BSP block only for UK made		E type coil		ER	
Seals		10	10 VDC	Deutsch DT04-2P (IP69K rated)	
Buna (Std.)	N	12	12 VDC	EL	
Fluorocarbon	V	20	20 VDC	Leadwire (2)	
		24	24 VDC	EY	
				Metri-Pack® 150 (IP69K rated)	
				Coils with internal diode are available, please consult factory.	