

HYSV08-40 (4/2 Solenoid Valve, Spool Type)

Description

A solenoid operated, 4-way, 2-position, spool-type cartridge valve.

Operation

When de-energized, the valve allows flow ③ to ②, and from ④ to ①. When energized, the cartridge's spool shifts to allow flow ③ to ④, and from ② to ①.

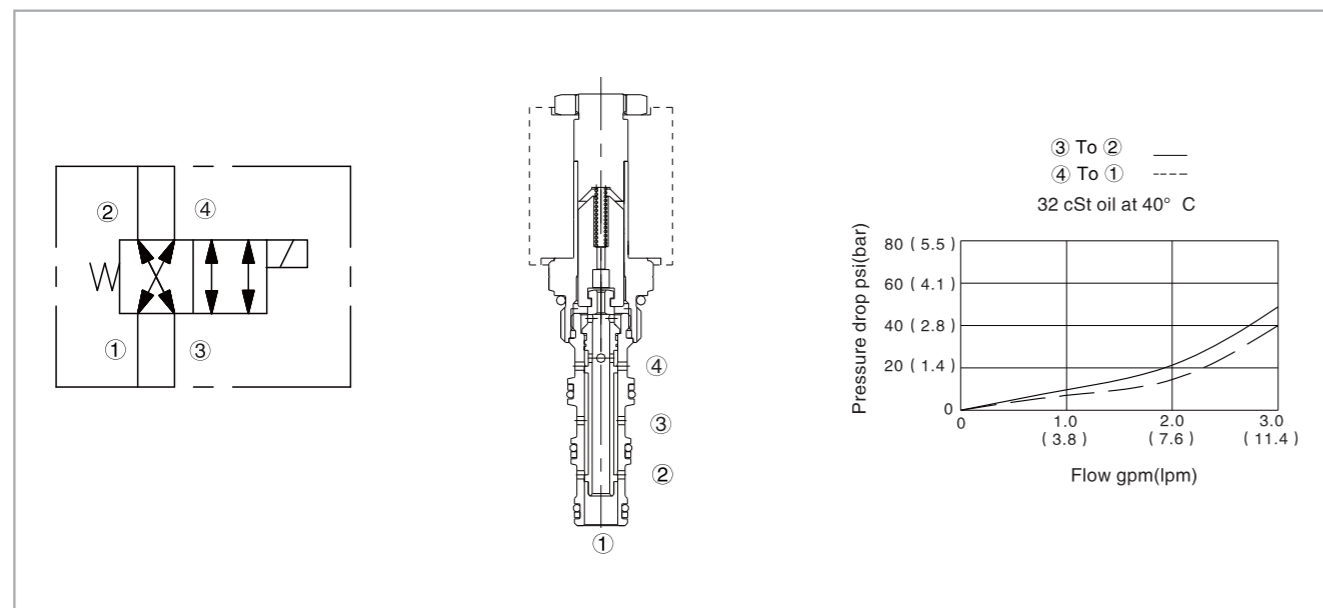
Operation of manual override option

To override, push button in, twist counterclockwise 180° and release. In this position, valve will remain detented in the shifted condition. To return to normal operation, push button in, twist clockwise 180° and release. Override will be detented in this position.

Specifications

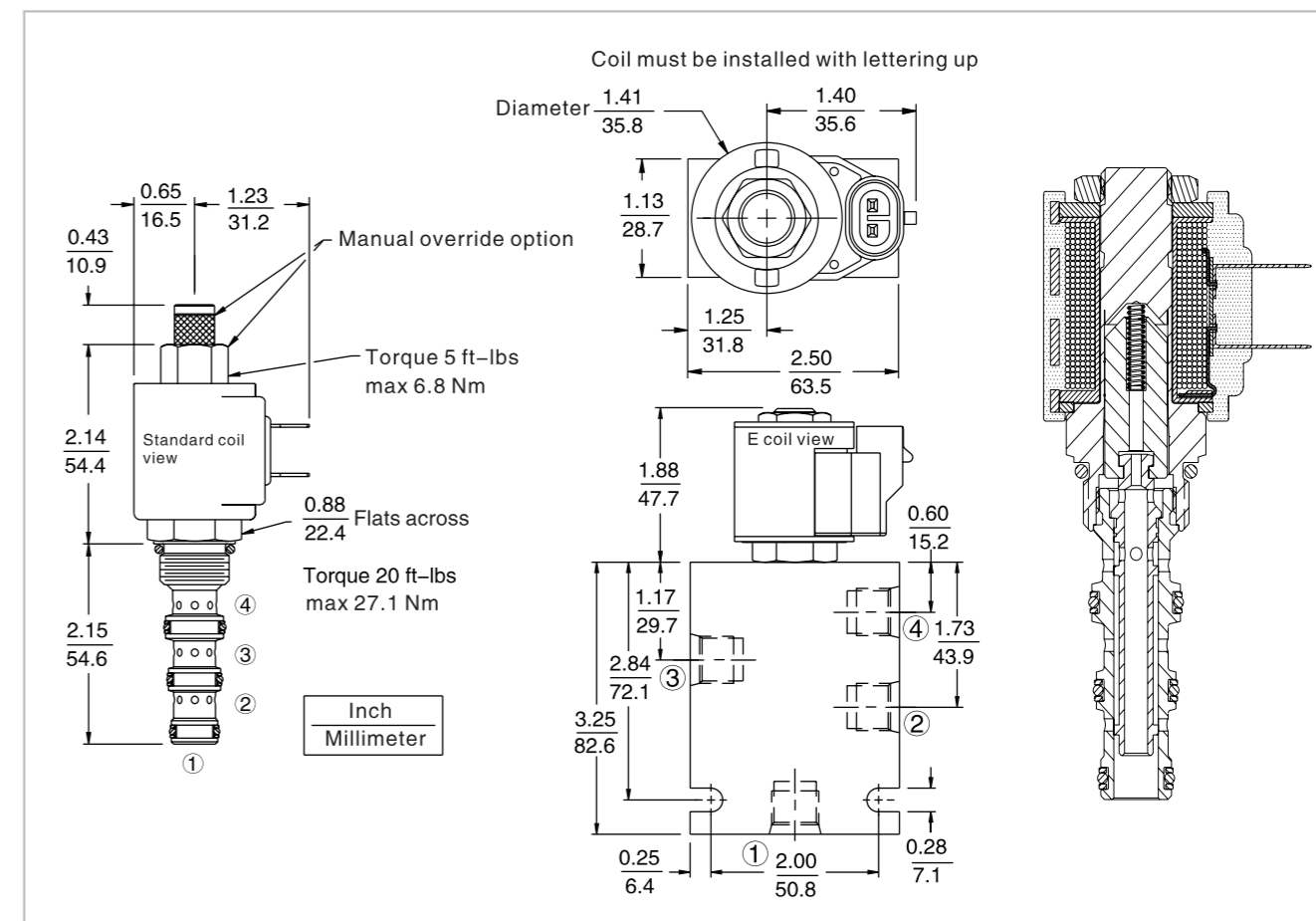
Max. operating pressure:	207 Bar
Flow:	See pressure drop vs. flow graph
Internal leakage:	(Per land) 82 cc/min. max. at 207 bar
Temperature:	(-40°C To +120°C) with NBR material seals
Coil duty rating:	Continuous from 85% to 115% of nominal voltage
Fluids:	Mineral-based fluids with viscosities of 7.4 to 420 cSt.
Cavity:	HY08-4, see page H.1.3
Body material:	6061-T6 Aluminum alloy rated to 207 bar, steel & ductile iron rated to 350 bar

Code symbol, profile and pressure drop vs. flow



HYSV08-40 (4/2 Solenoid Valve, Spool Type)

External dimensions



Material science and order model

Cartridge: weight: 0.13 kg (0.28 lb); Steel, the working face is duratected Surcace zine-plated; NBR material sealing and check ring (standard).

Block: weight: 0.27 kg (0.60 lb); High-strength performance aluminum alloy with anodic oxidation; #6061 T6; Rated pressure up to 240 bar (3500 psi); Also available with ductile cast iron and steel material; Size might be different, please consult factory.

Standard coil: weight: 0.11 kg (0.25 lb); Heat-wrappinf pack, Class H heat-resistant enamelled wire;

E type coil: weight: 0.13 kg (0.3 lb); Soid metallic shell encapsulated; IP 69K rated, integrated connector.

HYSV08-40

Option	Porting	Seals	Voltage std.coil	Termination std.coil (VDC)
None (Blank)	Cartridge only	Buna (Std.)	0 Less coil**	DS Dual spades
Manual override M	SAE 6	Fluorocarbon V	10 10 VDC †	DG DIN 43650
	1/4 Inch BSP* 2B		12 12 VDC	DL Leadwire (2)
	3/8 Inch BSP* 3B		24 24 VDC	DL/W Leadwire, lead w/weatherpak® connectors
			36 36 VDC	DR Deutch DT04-2P
			48 48 VDC	Termination std.coli (VAC)
			24 24 VAC	AG DIN 43650
			115 115 VAC	AP 1/2 inch conduit
			230 230 VAC	† Includes std.coil nut † DS, DW or DL terminations only
			E type coil	ER Deutch DT04-2P (IP69K rated)
			10 10 VDC	EL Leadwire (2)
			12 12 VDC	EY Metri-Pack® 150 (IP69K rated)
			20 20 VDC	
			24 24 VDC	

Coils with internal diode are available, please consult factory.