

HYSV08-41 (4/2 Solenoid Valve, Normally Closed)

Description

A solenoid operated, 4-way, 2-position, normally closed spool-type cartridge valve.

Operation

When de-energized, the valve flows paths are blocked. When energized, the cartridge's spool shifts to allow flow ③ to ④, and from ② to ①.

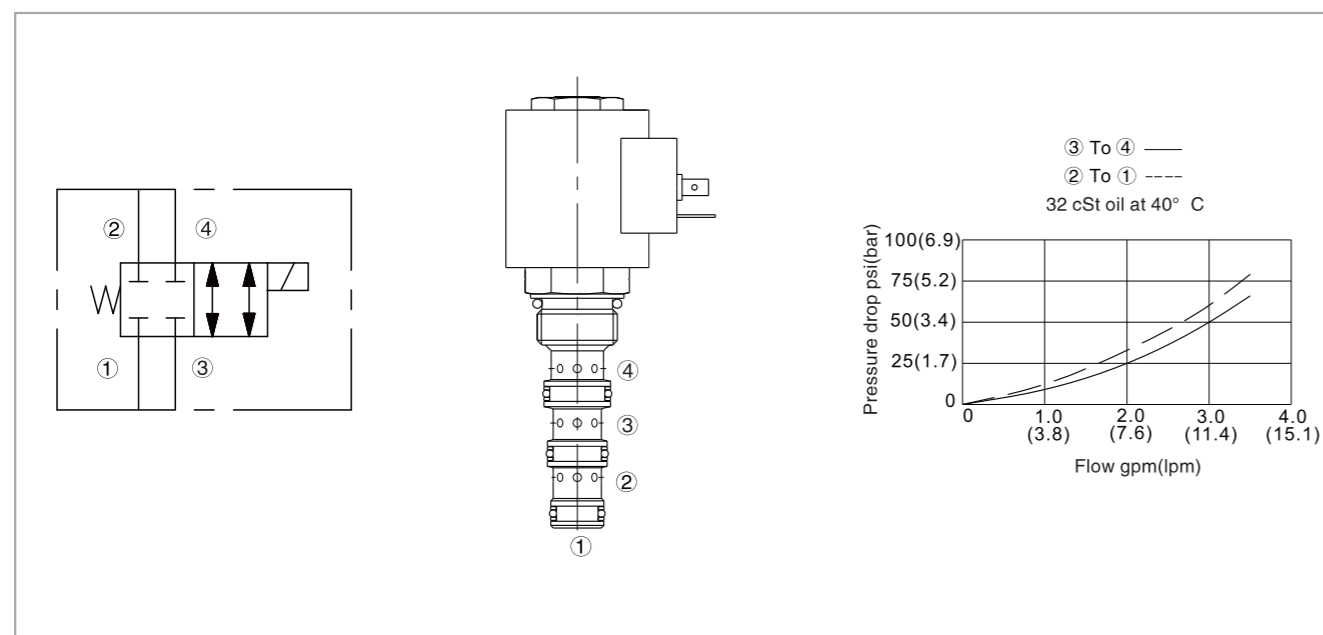
Operation of manual override option

To override, push button in, twist counterclockwise 180° and release. In this position, valve will remain detented in the shifted condition. To return to normal operation, push button in, twist clockwise 180° and release. Override will be detented in this position.

Specifications

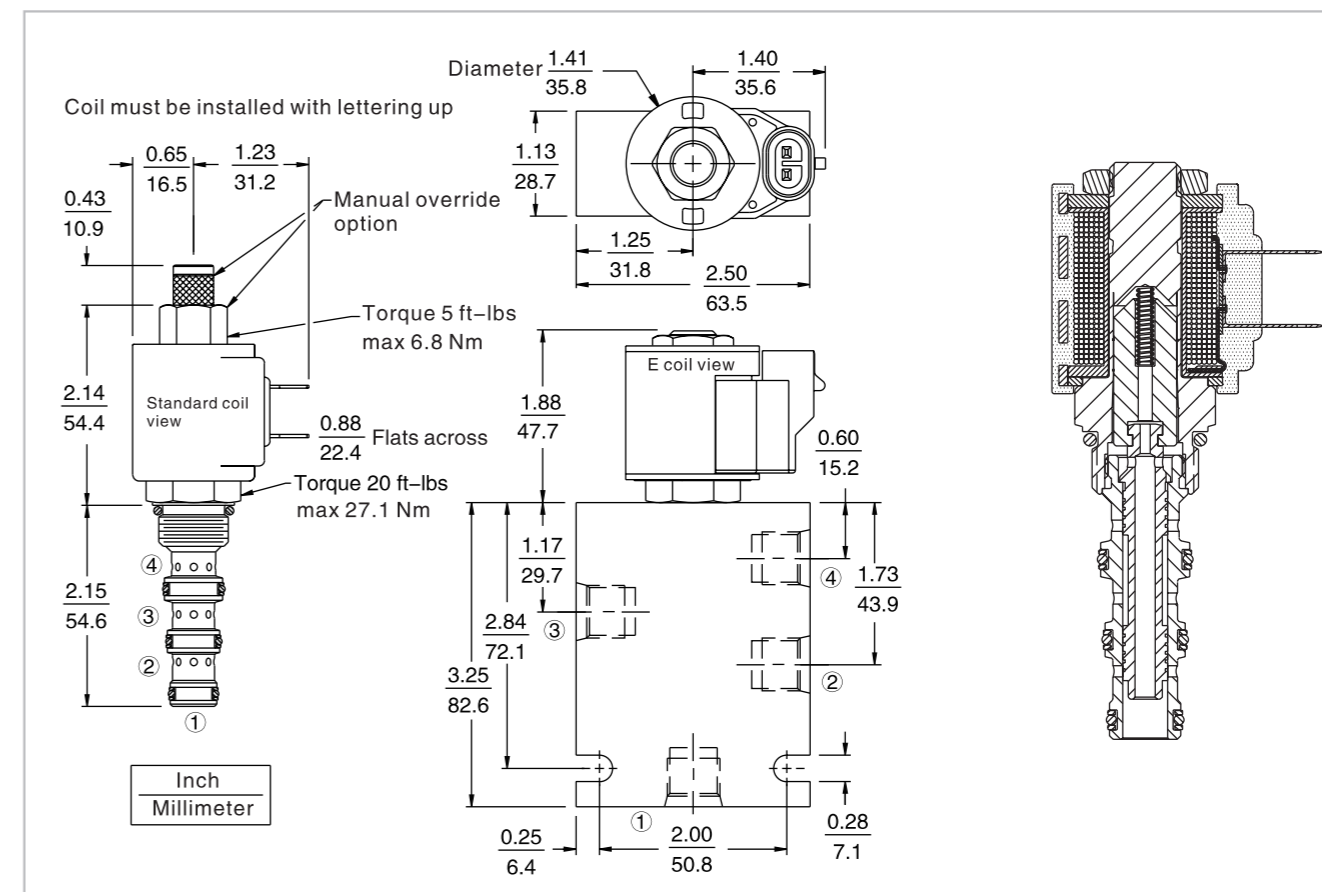
Max. operating pressure:	207 Bar
Flow:	See pressure drop vs. flow graph
Internal leakage:	82 cc/min. max. at 207 bar
Temperature:	(-40°C To +120°C) with NBR material seals
Coil duty rating:	Continuous from 85% to 115% of nominal voltage
Fluids:	Mineral-based fluids with viscosities of 7.4 to 420 cSt.
Cavity:	HY08-4, see page H.1.3
Body material:	6061-T6 Aluminum alloy rated to 207 bar, steel & ductile iron rated to 350 bar

Code symbol, profile and pressure drop vs. flow



HYSV08-41 (4/2 Solenoid Valve, Normally Closed)

External dimensions



Material science and order model

Cartridge: weight: 0.13 kg (0.28 lb);
Steel, the working face is duratected
Surface zinc-plated;
NBR material sealing and
check ring (standard).

Block: weight: 0.27 kg (0.60 lb);
High-strength performance aluminum
alloy with anodic oxidation;
#6061 T6;

Rated pressure up to 240 bar (3500 psi);
See 8.008.1; Also available with ductile
cast iron and steel material;
Size might be different, please consult factory.
Standard coil: weight: 0.11 kg (0.25 lb);
Heat-wrapping pack, Class H
heat-resistant enamelled wire;
See 3.200.1

E type coil: weight: 0.14 kg (0.3 lb);
Soid metallic shell encapsulated;
IP 69K rated, integrated connector.
Note: regarding all new application for
E type coil, please refer to 3.400.1.

HYSV08-41		Option		Voltage std. coil		Termination std. coil (VDC)	
	None (Blank)		Manual override M	0	Less coil**	DS	Dual spades
				10	10 VDC †	DG	DIN 43650
				12	12 VDC	DL	Leadwire (2)
				24	24 VDC	DL/W	Leadwire, lead w/weatherpak® connectors
				36	36 VDC	DR	Deutsch DT04-2P
				48	48 VDC		
				24	24 VAC		Termination std. coil (VAC)
				115	115 VAC	AG	DIN 43650
				230	230 VAC	AP	1/2 inch conduit
							E type coil termination (VDC)
						ER	Deutsch DT04-2P (IP69K rated)
						EY	Metri-Pack® 150 (IP69K rated)
							Coils with internal diode are available, please consult factory.