

HYSV08-43 (4/2 Solenoid Valve, Spool Tyle)

Description

A solenoid operated, 4-way, 2-position, spool-type cartridge valve.

Operation

When de-energized, the valve allows flow from ④ to ① while blocking ② to ③.
When energized, the cartridge's spool shifts to allow flow from ② to ① and from ④ to ③.

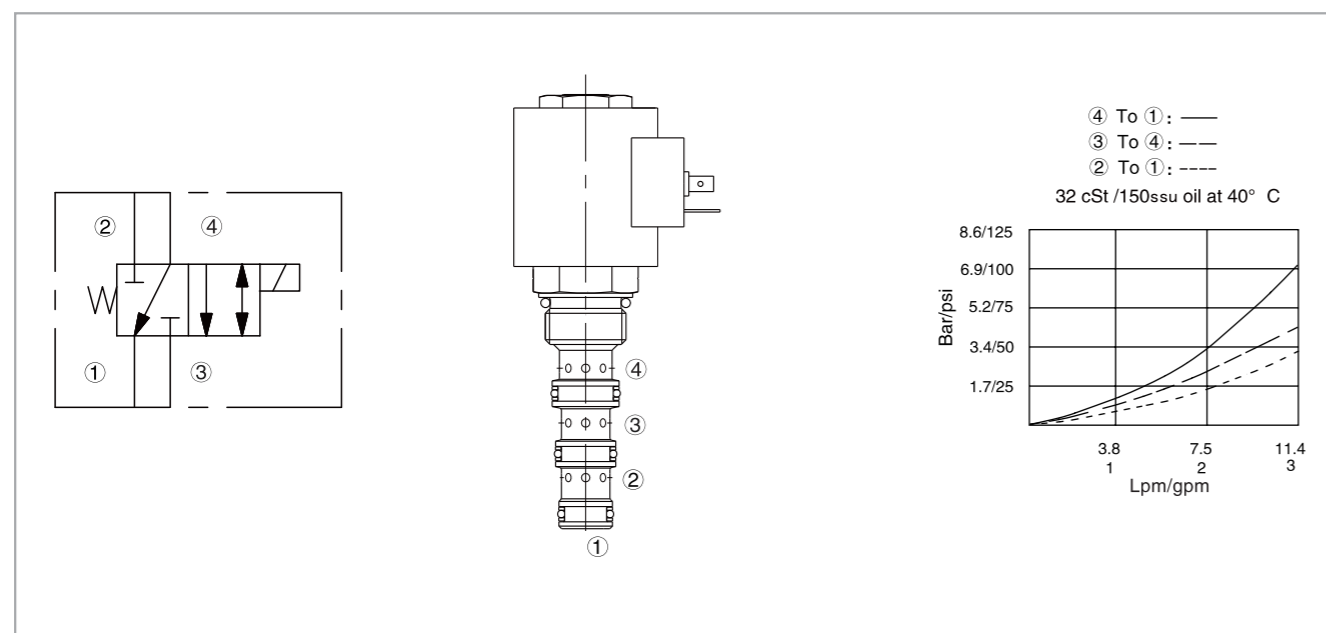
Operation of manual override option

To override, push button in, twist counterclockwise 180° and release. In this position, valve will remain detented in the shifted condition. To return to normal operation, push button in, twist clockwise 180° and release. Override will be detented in this position.

Specifications

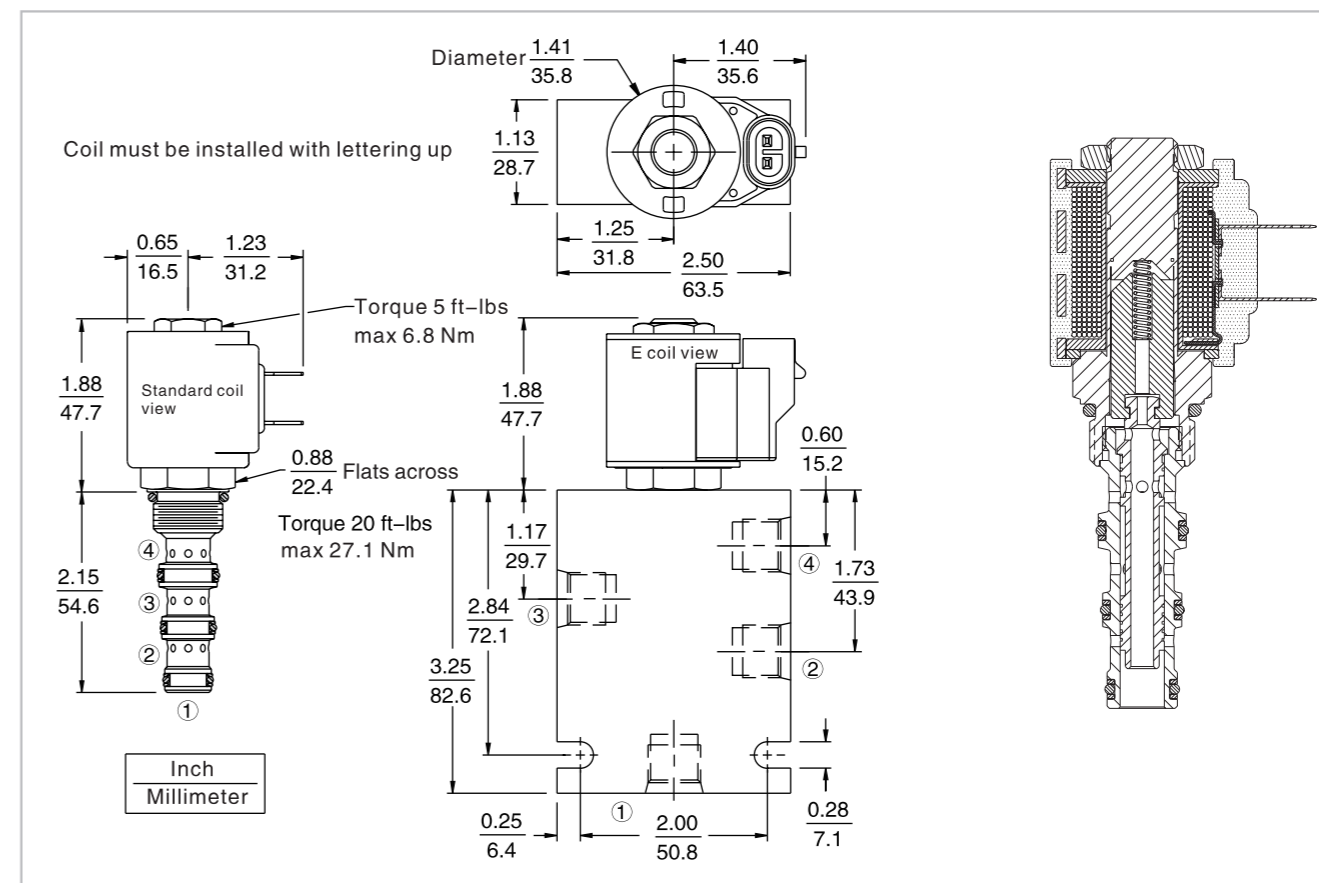
Max. operating pressure:	207 Bar
Flow:	See pressure drop vs. flow graph
Internal leakage:	82 cc/min. max. at 207 bar
Temperature:	(-40°C To +120°C) with NBR material seals
Coil duty rating:	Continuous from 85% to 115% of nominal voltage
Fluids:	Mineral-based fluids with viscosities of 7.4 to 420 cSt.
Cavity:	HY08-4, see page H.1.3
Body material:	6061-T6 Aluminum alloy rated to 207 bar, steel & ductile iron rated to 350 bar

Code symbol , profile and pressure drop vs. flow



HYSV08-43 (4/2 Solenoid Valve, Spool Tyle)

External dimensions



Material science and order model

Cartridge: weight: 0.13 kg (0.28 lb); Steel, the working face is duratected Surcace zine-plated; NBR material sealing and check ring (standard).
Block: weight :0.27 kg (0.60 lb); High-strength performance aluminum alloy with anodic oxidation; #6061 T6; Rated pressure up to 240 bar (3500 psi); See 8.008.1; Also available with ductile cast iron and steel material; Size might be different, please consult factory.
Standard coil: weight: 0.27 kg (0.60 lb); Heat-wrappinf pack, Class H heat-resistant enamelled wire; See 3.200.1
E type coil: weight :0.11 kg (0.25 lb); Soid metallic shell encapsulated; IP 69K rated, integrated connector. Note: regarding all new application for E type coil, please refer to 3.400.1.

HYSV08-43		Voltage std.coil		Termination std.coil (VDC)	
Option	None (Blank)	0	Less coil**	DS	Dual spades
		10	10 VDC †	DG	DIN 43650
		12	12 VDC	DL	Leadwire (2)
		24	24 VDC	DL/W	Leadwire, lead w/weatherpak® connectors
		36	36 VDC	DR	Deutsch DT04-2P
		48	48 VDC		Termination std.coil (VAC)
Porting	Cartridge only	24	24 VAC		
	SAE 6	6T	115 VAC	AG	DIN 43650
	1/4 Inch BSP*	2B	230 VAC	AP	1/2 inch conduit
	3/8 Inch BSP*	3B			E type coil termination (VDC)
				ER	Deutsch DT04-2P (IP69K rated)
Seals	Buna (Std.)	N	10 VDC	EY	Metri-Pack® 150 (IP69K rated)
	Fluorocarbon	V	12 VDC		
			20 VDC		
			24 VDC		

** Includes std. coil nut
† DS, DW or DL terminations only

Coils with internal diode are available, please consult factory.