

HYCV10-20B (Check Valve,Poppet Type)

Description

A cartridge-style poppet-type check valve.

Operation

Pressure at ① overcomes the spring-bias poppet and allows free flow from ① to ②.

Flow in the opposite direction, from ② to ①, is blocked by the poppet.

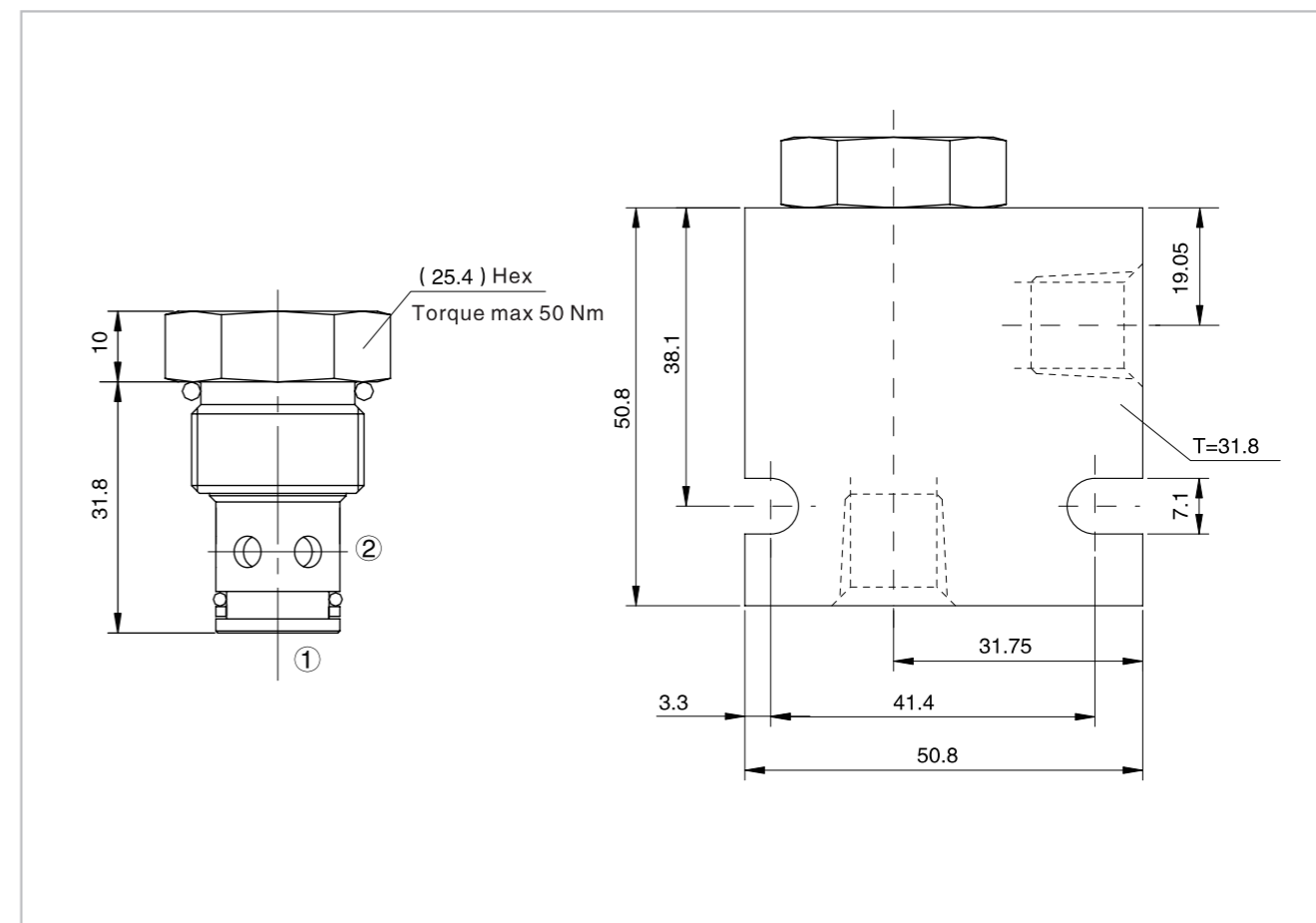
Specifications

| | | |
|--------------------------|---|--|
| Max. operating pressure: | 240 Bar | |
| Flow: | See pressure drop vs.flow graph | |
| Internal leakage: | 2 Drops/min.max.at 240 bar | |
| Crack pressure: | 0.34 Bar | |
| | 1 Bar | |
| | 2.1 Bar | |
| | 4.8 Bar | |
| Temperature: | 6.9 Bar | |
| | (-40°C To +120°C) with NBR material seals | |
| | Fluids: | Mineral-based fluids with viscosities of 7.4 to 420 cSt. |
| | Cavity: | HY10-2,see page H.1.3 |
| Body material: | Steel & ductile iron rated to 350 bar | |

C.3.1

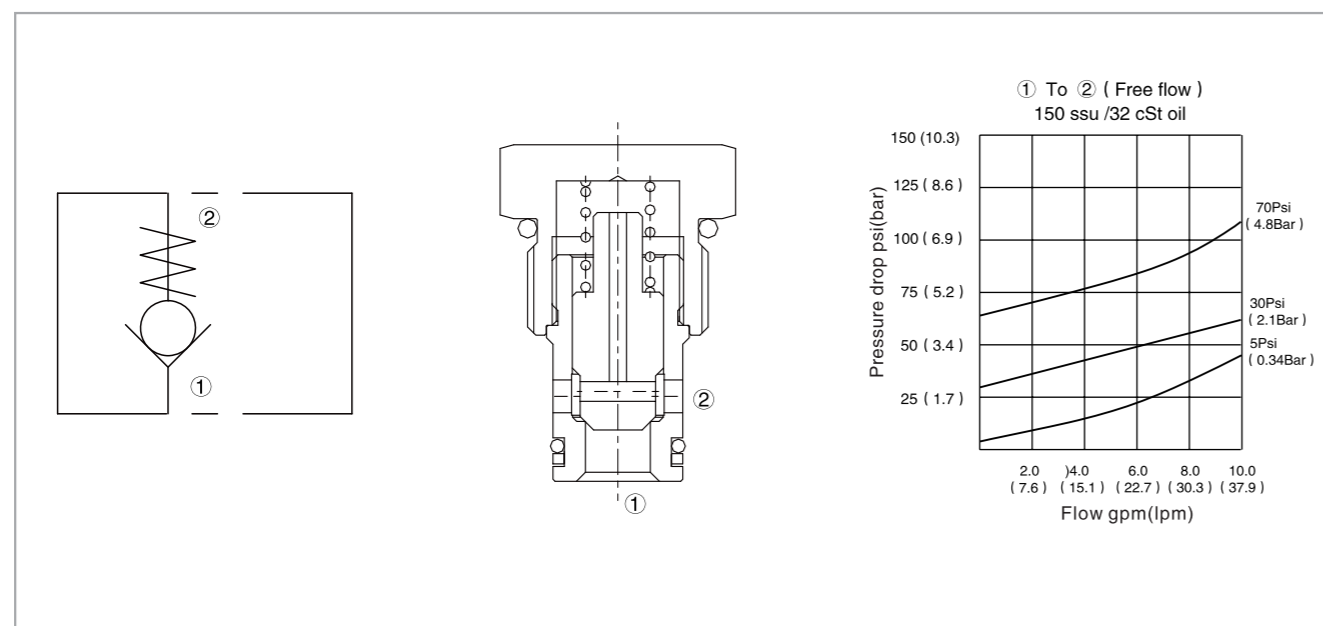
HYCV10-20B (Check Valve,Poppet Type)

External dimensions



C.3.2

Code symbol , profile and pressure drop vs.flow



Material science and order model

Cartridge: weight: 0.08 kg (0.17 lb);
Steel,the working face is duratected
Surface zinc-plated;
NBR material sealing and
check ring (standard).
Block:weight :0.43 kg (0.95 lb);
Steel,the working face is duratected,
surface zinc-plated,(code 's');
Ductile cast iron,(code 's'),standard.
Rated pressure up to 345 bar (3500 psi);
Also available with ductile cast iron and
steel material;
Size might be different,please consult factory.

HYCV10- 20B

| | | |
|--|----|-------------------------|
| Tall option required for 300 psi spring | T | Bias spring |
| Porting | | 5 0.34 Bar (5 psi) |
| Cartridge only | 0 | 15 1 Bar (15 psi) |
| SAE 6 | 6T | 30 2.1 Bar (30 psi) |
| SAE 8 | 8T | 40 2.8 Bar (40 psi) |
| 1/4 Inch BSP* | 2B | 70 4.8 Bar (70 psi) |
| 3/8 Inch BSP* | 3B | 100 6.9 Bar (100 psi) |
| 1/2 Inch BSP* | 4B | 200 13.6 Bar (200 psi) |
| *BSP block only for UK made | | 300 20.4 Bar (300 psi)* |
| | | * Requires ' T ' option |
| | | Seals |
| | | N Buna (Std.) |
| | | V Fluorocarbon |