

# HYCV12-20 (Check Valve,Poppet Type)

## Description

A cartridge-style poppet-type check valve.

## Operation

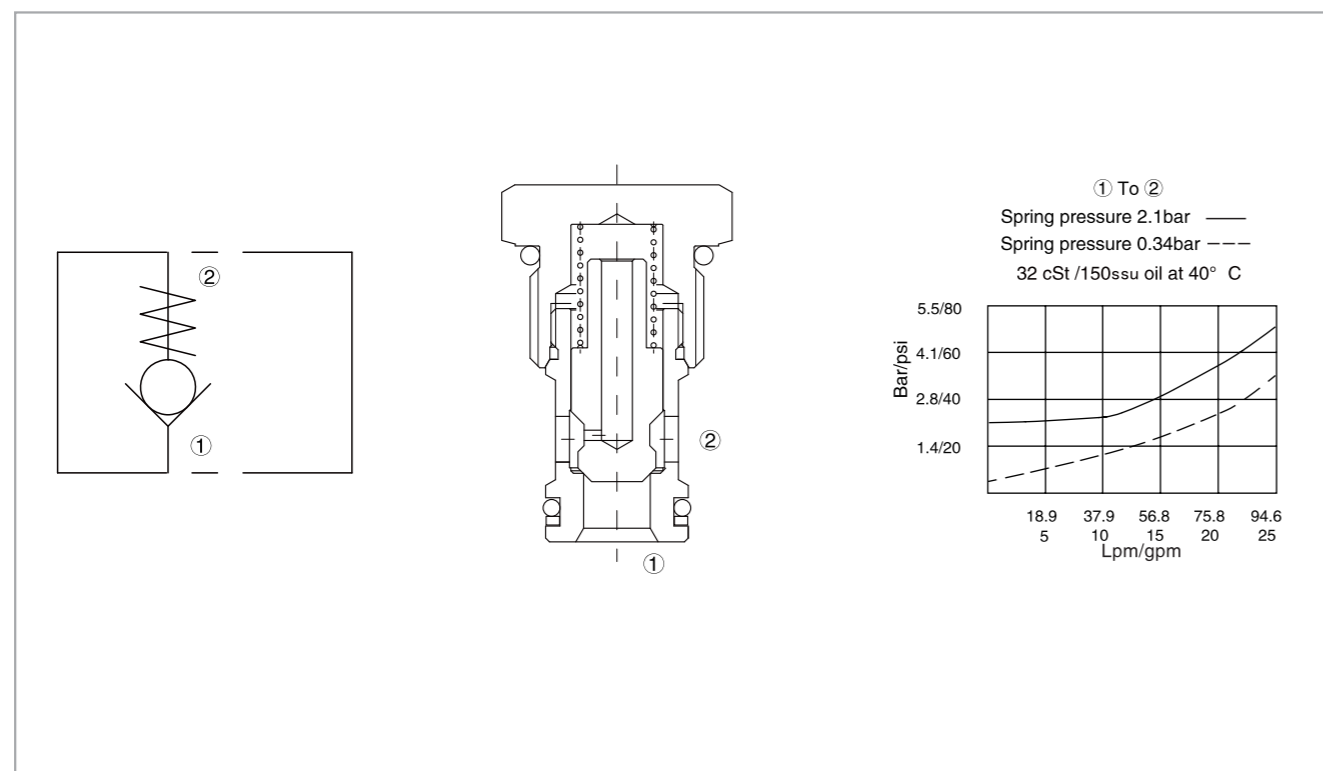
Pressure at ① overcomes the spring-bias poppet and allows free flow from ① to ②.

Flow in the opposite direction, from ② to ①, is blocked by the poppet.

## Specifications

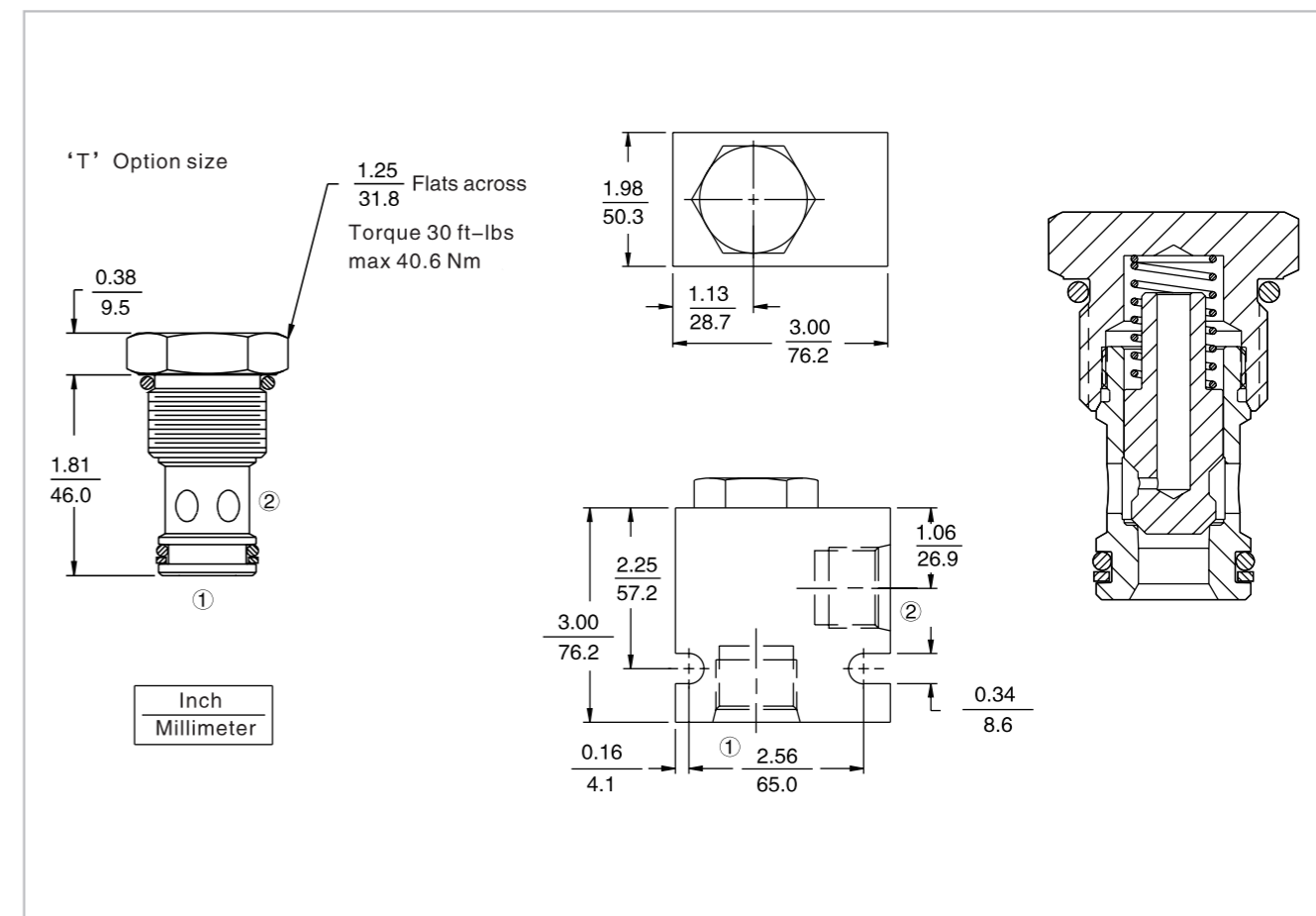
Max. operating pressure:	240 Bar
Flow:	See pressure drop vs.flow graph
Internal leakage:	5 Drops/min.max.at 240 bar
Crack pressure:	0.34 Bar
	1.7 Bar
Temperature:	4.1 Bar
	(-40°C To +120°C) with NBR material seals
Fluids:	Mineral-based fluids with viscosities of 7.4 to 420 cSt.
Cavity:	HY12-2,see page H.1.5
Body material:	6061-T6 Aluminum alloy rated to 207 bar, steel & ductile iron rated to 350 bar

## Code symbol , profile and pressure drop vs.flow



# HYCV12-20 (Check Valve,Poppet Type)

## External dimensions



## Material science and order model

Cartridge: weight: 0.15 kg ( 0.40 lb);  
Steel,the working face is duratected  
Surcace zine-plated;  
NBR material sealing and  
check ring (standard).

Block:weight :0.57 kg (1.25 lb);  
High-strength performance aluminum  
alloy with anodic oxidation;  
#6061 T6;  
Rated pressure up to 240 bar (3500 psi);  
Also available with ductile cast iron and  
steel material;  
Size might be different,please consult factory.

HYCV12-20

Porting		Bias spring	
Cartridge only	0	5	0.34 Bar (5 psi)
SAE 10	10T	25	1.7 Bar (25 psi)
SAE 12	12T	30	2.1 Bar (30 psi)
SAE 16	16T	60	4.1 Bar (60 psi)

\*Other spring option,please consult factory.

Seals

N	Buna (Std.)
V	Fluorocarbon