

# HYPC10-30 (Pilot Operated Check Valve)

## Description

A cartridge-style pilot-to-open poppet-type check valve.

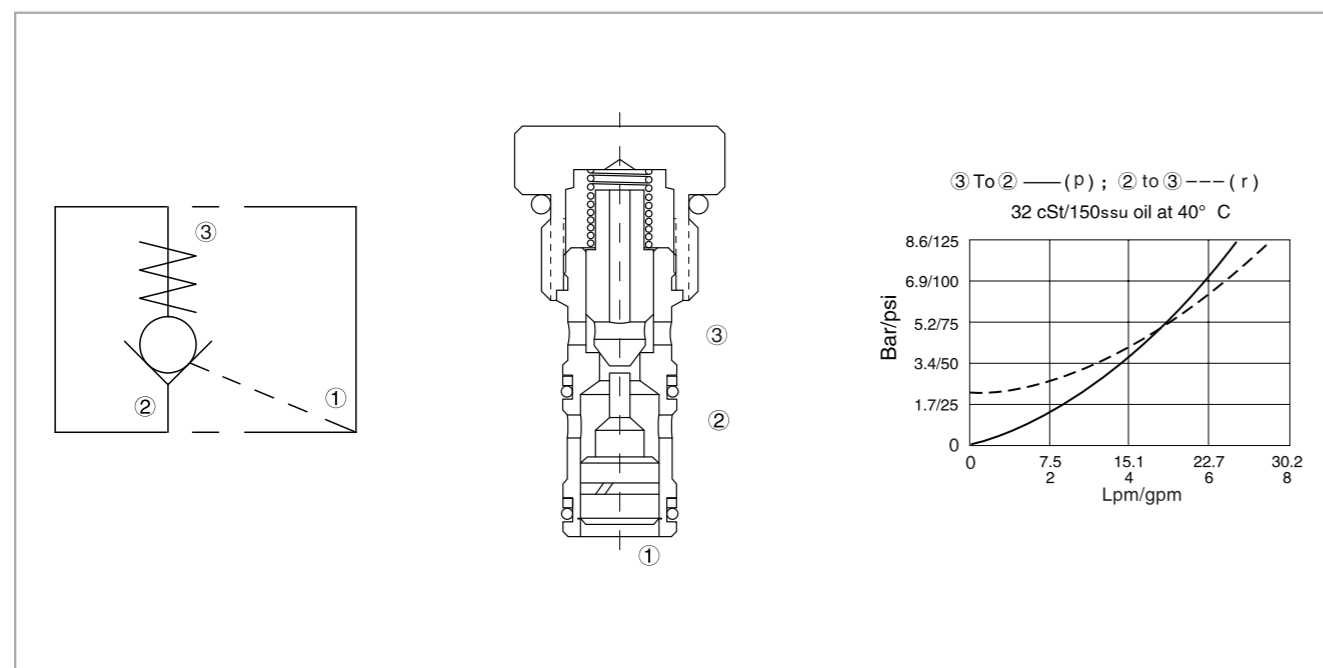
## Operation

The valve allows flow from ② to ③, while normally blocking flow from ③ to ②. Flow will be allowed from ③ to ② when sufficient pressure is applied at ①. The cartridge has a 3.5:1 pilot ratio, meaning that at least 28 percent of the load pressure held at ③ is required at ① to open the valve.

## Specifications

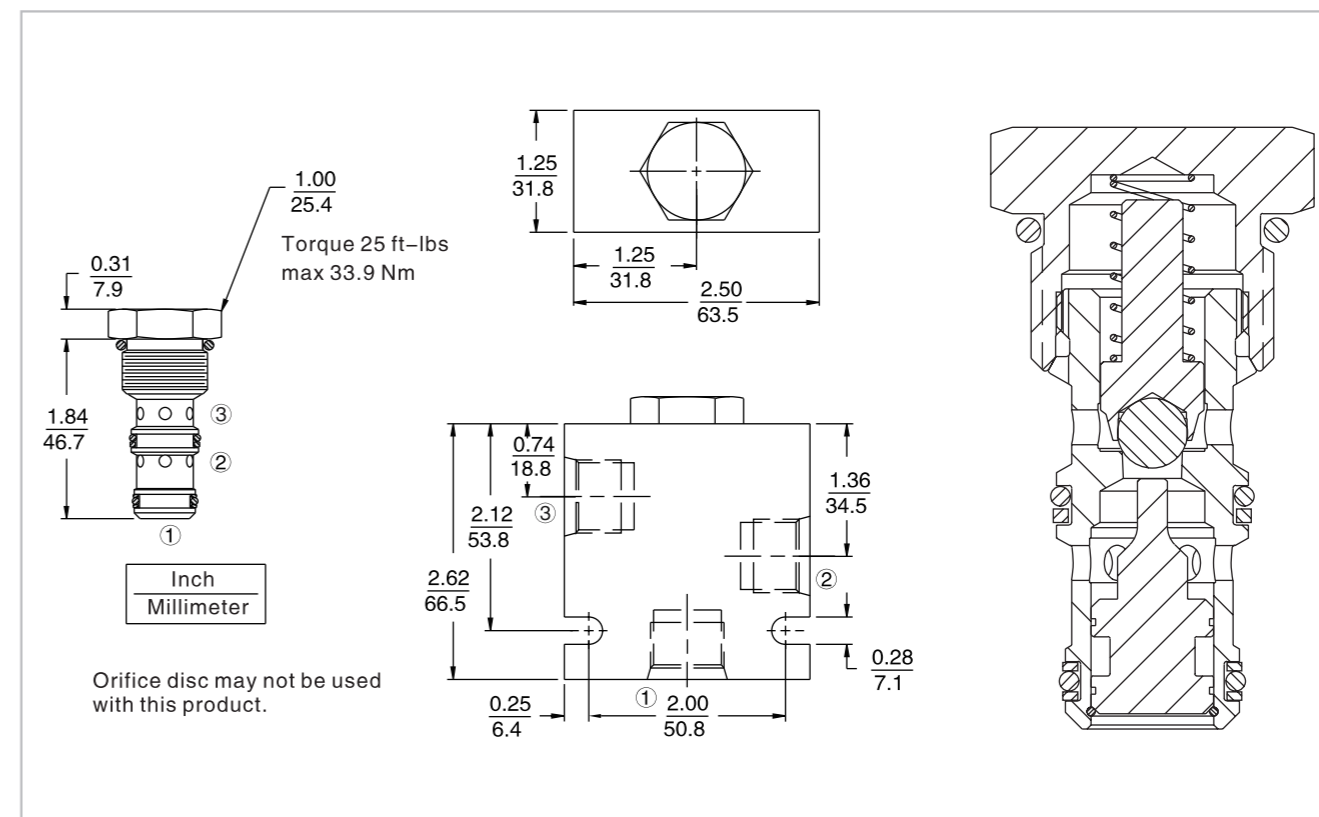
Max. operating pressure:	240 Bar
Flow:	See pressure drop vs.flow graph
Internal leakage:	③ to ②: 2 Drops/min.at 240bar
	② to ①: 115 ml/min. at 240bar
Crack pressure:	2.1 Bar 4.8 Bar 6.2 Bar 8.2 Bar 18.3 Bar
Pilot ratio:	3.5:1
Temperature:	(-40°C To +120°C) with NBR material seals
Fluids:	Mineral-based fluids with viscosities of 7.4 to 420 cSt.
Cavity:	HY10-3,see page H.1.4
Body material:	6061-T6 Aluminum alloy rated to 207 bar, steel & ductile iron rated to 350 bar

## Code symbol , profile and pressure drop vs.flow



# HYPC10-30 (Pilot Operated Check Valve)

## External dimensions



## Material science and order model

Cartridge: weight: 0.09 kg ( 0.20 lb);  
Steel,the working face is duratected  
Surcace zine-plated;  
NBR material sealing and  
check ring (standard).

Block:weight : kg (0.36 lb);  
High-strength performance aluminum  
alloy with anodic oxidation;  
#6061 T6;  
Rated pressure up to 240 bar (3500 psi);  
See 8.010.1  
Also available with ductile cast iron and  
steel material;  
Size might be different,please consult factory.

HYPC10-30		Bias spring	
Porting			
Cartridge only	0	( Blank )	2.07 Bar / 30 psi ( std. ) *
SAE 6	6T	70	4.8 Bar / 70 psi
SAE 8	8T	90	6.2 Bar / 90 psi
1/4 Inch BSP*	2B	120	8.2 Bar / 120 psi
3/8 Inch BSP*	3B	270	18.3 Bar / 270 psi

\*BSP block only for UK made

Note:other bias spring pressures available for  
OEM application.Consult factory.  
HYPC08-30 valves built with standard 25 psi  
spring are not stamped with spring rating.  
Other spring rating are stamped on valve.

Seals

- N Buna N ( std. )
- NS Buna N ( with sealed piston ) :  
6.2 bar (90 psi) minimum spring
- V Fluorocarbon
- VS Fluorocarbon with sealed piston:  
6.2 bar (90 psi)minimum spring