

HYMP08-30 (Manual Cartridge Valve)

Description

A cartridge-style manual 3-way pull-to-shift directional valve.

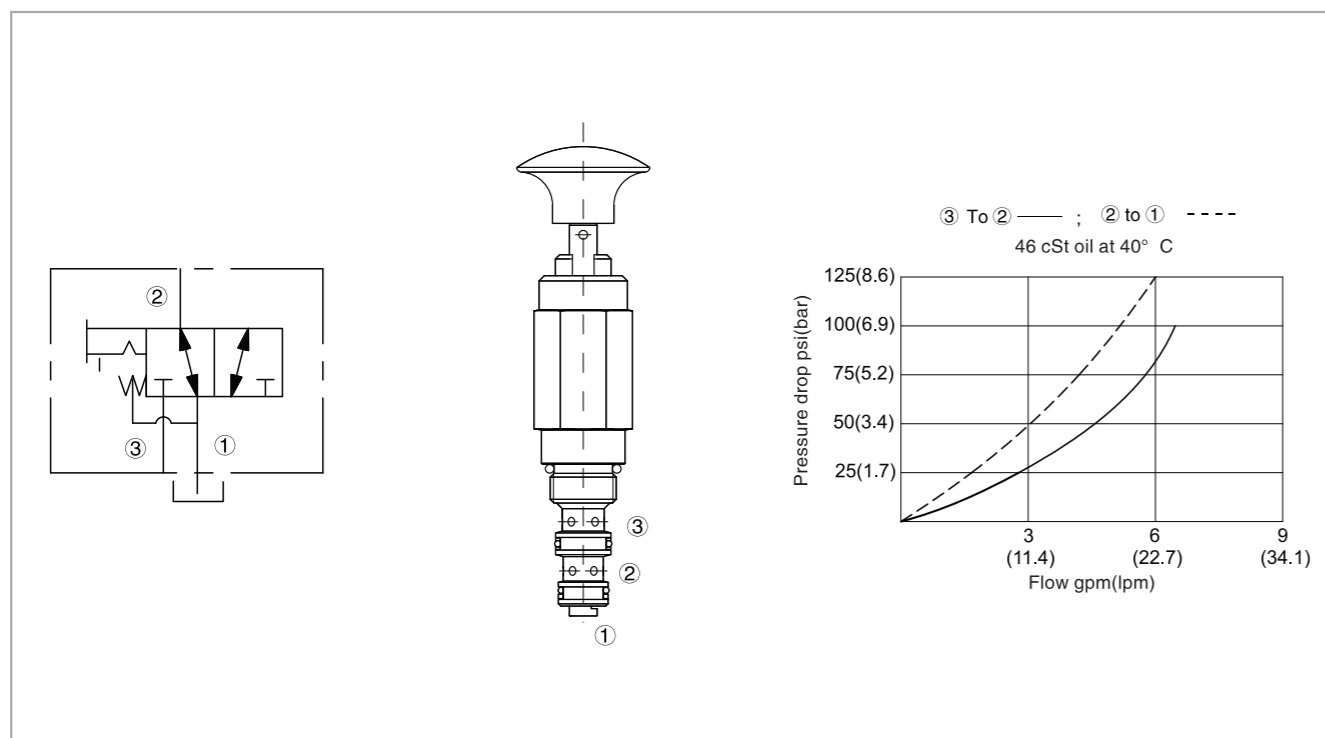
Operation

In its steady-state, spring-offset position, the valve directs flow from ② to ①, while blocking at ③.
 In the actuated (pulled) position, the cartridge directs flow from ③ to ②, blocking ①. The spring chamber is vented at ①. Note: Pressure at port ①, will directly act on the spool and spring. Port ① is intended to be a tank port only.
 A unique pull-and-rotate feature for holding the positive actuated position is optional.
 A 90°C rotation is required to position at the hold slot. The valve resets to spring-return de-actuated with a slight pull and a 90°C turn from the locked actuated position.

Specifications

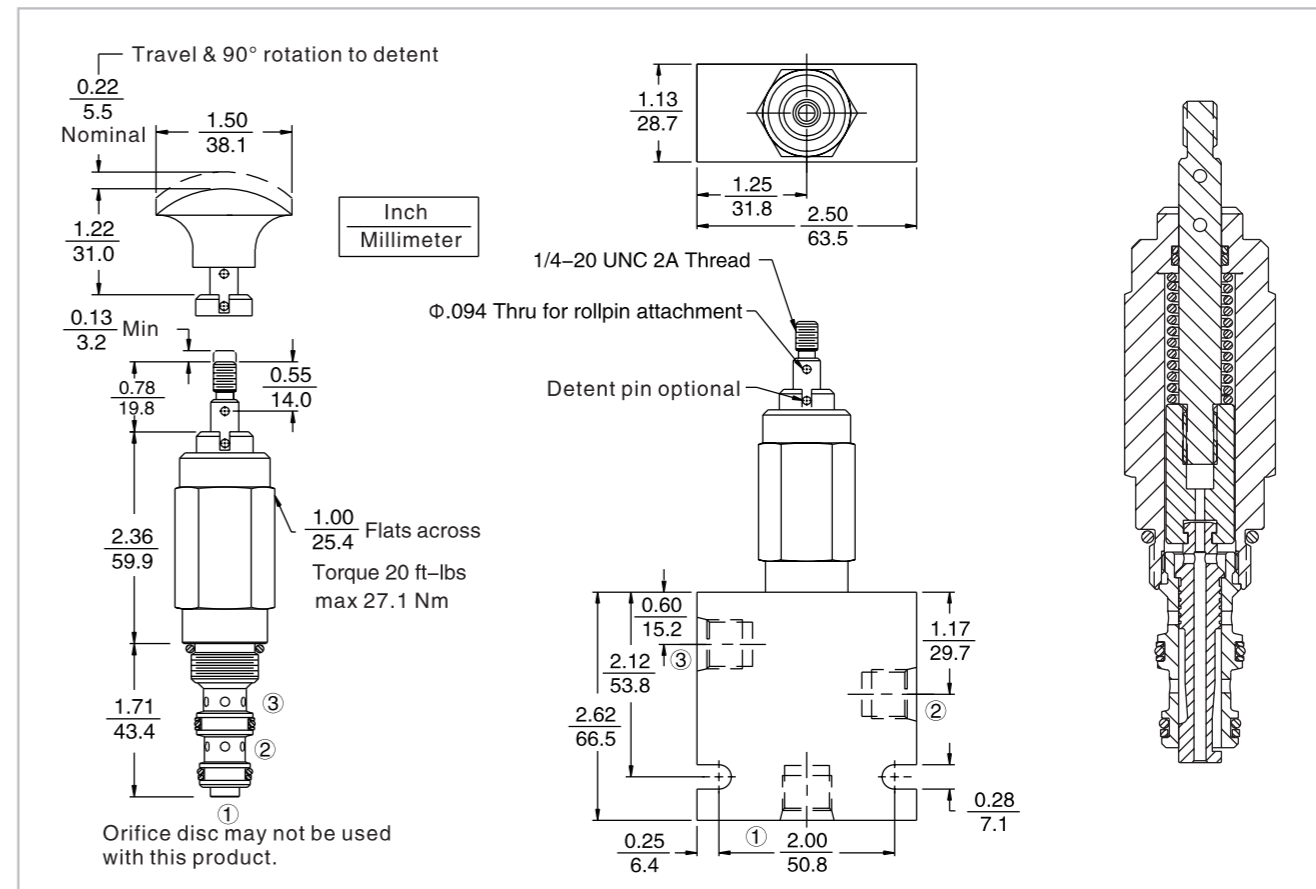
| | |
|---------------------|--|
| Operating pressure: | Port ③ & ② : 240 bar ; port ① max.: 14 bar |
| Flow: | See pressure drop vs. flow graph |
| Internal leakage: | 82 cc/min. max. at 240 bar |
| Temperature: | (-40°C To +120°C) with NBR material seals |
| Fluids: | Mineral-based fluids with viscosities of 7.4 to 420 cSt. |
| Cavity: | HY08-3, see page H.1.2 |
| Body material: | 6061-T6 Aluminum alloy rated to 207 bar, steel & ductile iron rated to 350 bar |

Code symbol , profile and pressure drop vs. flow



HYMP08-30 (Manual Cartridge Valve)

External dimensions



Material science and order model

Cartridge: weight: 0.23 kg (0.50 lb);
 Steel, the working face is duratected
 Surface zinc-plated;
 NBR material sealing and
 check ring (standard), plastic knob option.
 Block: weight :0.27 kg (0.60 lb);
 High-strength performance aluminum
 alloy with anodic oxidation;
 #6061 T6;
 Rated pressure up to 240 bar (3500 psi);
 See 8.0008.1
 Also available with ductile cast iron and
 steel material;
 Size might be different, please consult factory.

