

## HYNRV-08 (Cartridge Direct Acting Relief Valve)

### Description

A cartridge-style direct-acting poppet-type relief valve.

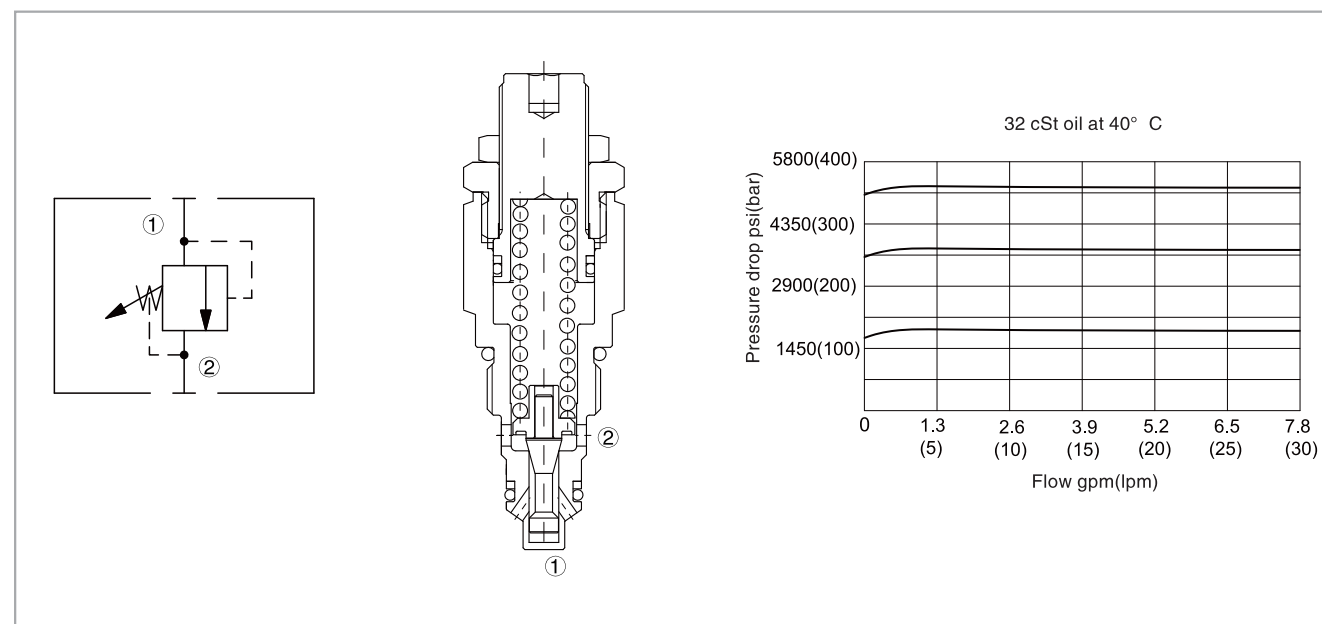
### Operation

The valve prevents flow from ① to ② until the set crack pressure at ① is achieved. The poppet then unseats allowing flow from ① to ② protecting the circuit from over pressurization.

### Specifications

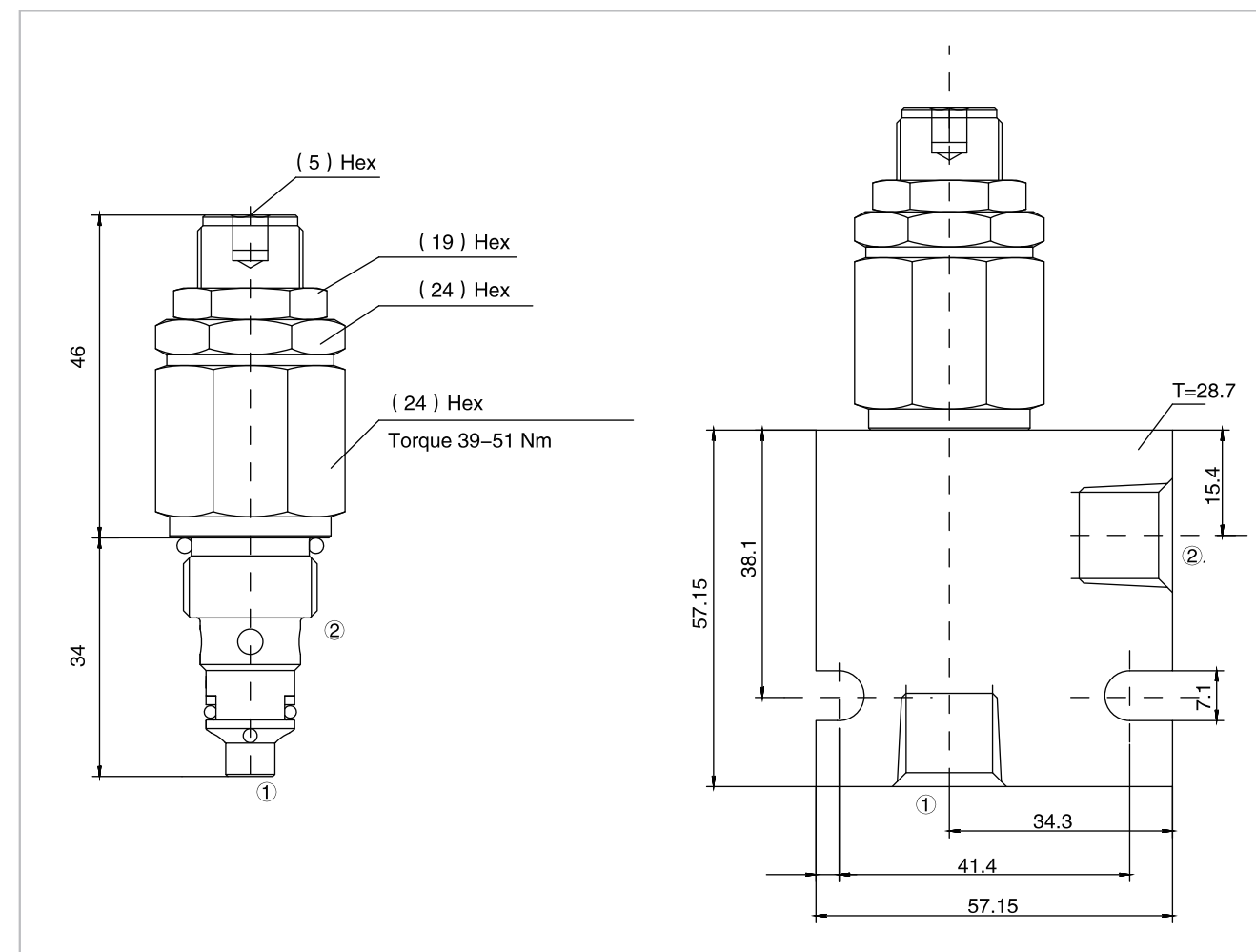
Operating pressure:	350 Bar
Standard spring ranges:	25 To 70 bar; preset : 50 bar
	50 To 125 bar; preset : 85 bar
	60 To 180 bar; preset : 138 bar
	120 To 350 bar; preset : 207 bar
Reseat pressure:	80% Of crack pressure (crack pressure at 0.95 lpm /0.25 gpm)
Flow:	See pressure drop vs.flow graph
Internal leakage:	5 Drops/min. max. to 80% of nominal setting
Temperature:	(-40°C To +120°C) with NBR material seals
Fluids:	Mineral-based fluids with viscosities of 7.4 to 420 cSt.
Cavity:	HY08-2,see page H.1.2
Body material:	Steel & ductile iron rated to 350 bar

### Code symbol , profile and pressure drop vs.flow



## HYNRV-08 (Cartridge Direct Acting Relief Valve)

### External dimensions



### Material science and order model

Cartridge: weight: 0.15 kg ( 0.32 lb);  
Steel, the working face is duratected  
Surface zinc-plated;  
NBR material sealing and  
check ring (standard).  
Block: weight :0.32 kg (0.70 lb);  
High-strength performance aluminum  
alloy with anodic oxidation;  
#6061 T6;  
Rated pressure up to 240 bar (3500 psi);  
Ductile iron and steel manifold, pressure up  
to 350 bar(5000psi);  
Also available with ductile cast iron and  
steel material;  
Size might be different, please consult factory.

Porting		Pressure range
Cartridge only	0	10 25-70 Bar ( 360-1000 Psi )
SAE 4	4T	18 50-125 Bar ( 720-1800 Psi )
SAE 6	6T	26 60-180 Bar ( 860-2600 Psi )
G1/4	2G	50 120-350 Bar ( 1700-5000 Psi )
G3/8	3G	
Seals		
	Buna N ( std. )	N
	Fluorocarbon	V