

HYNV08-20 (Needle Valve)

Description

A cartridge-style manually-adjustable needle valve.

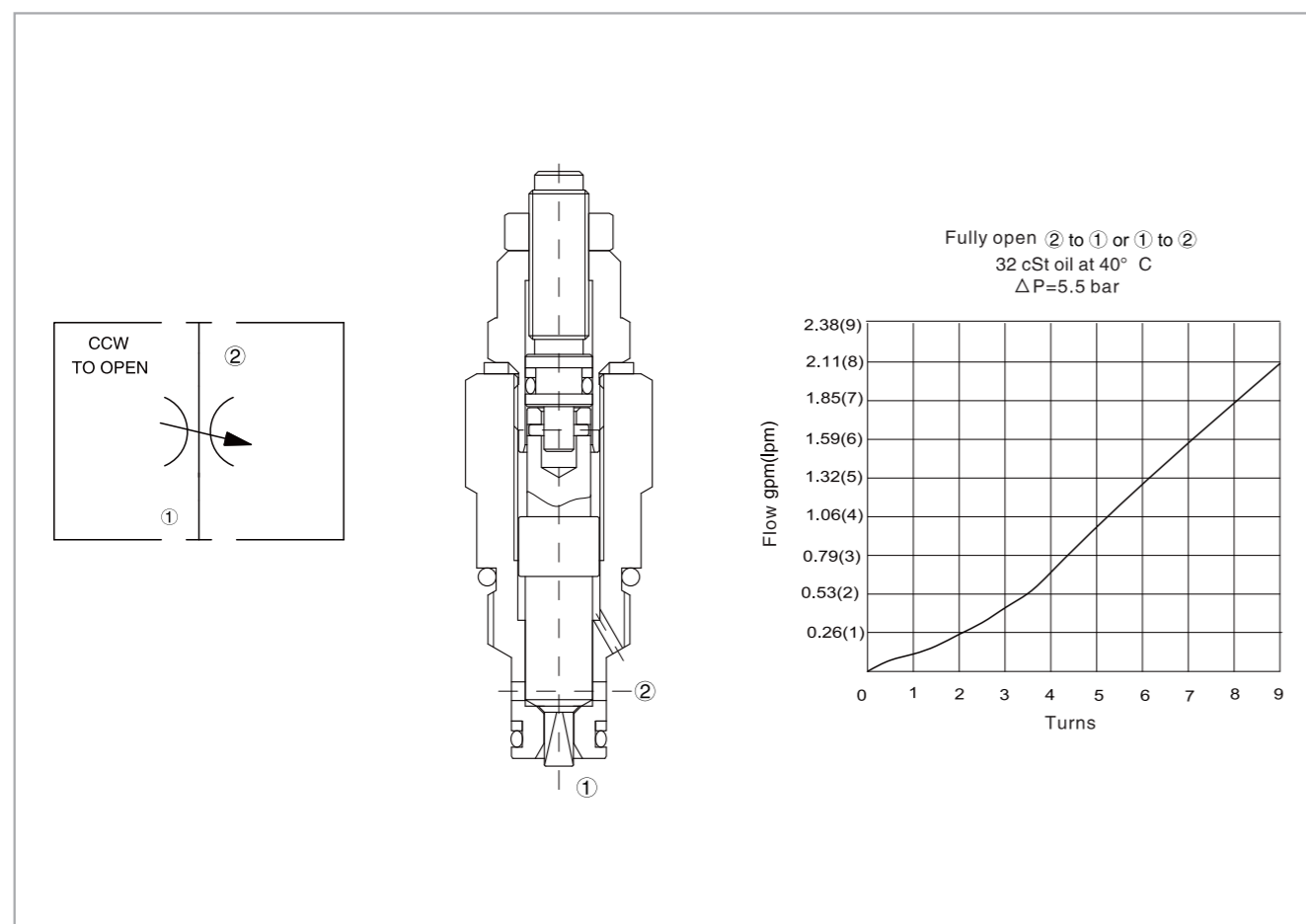
Operation

The valve varies flow restriction by adjusting needle in or out and will shut off when fully closed. These valves will meter flow in either direction.

Specifications

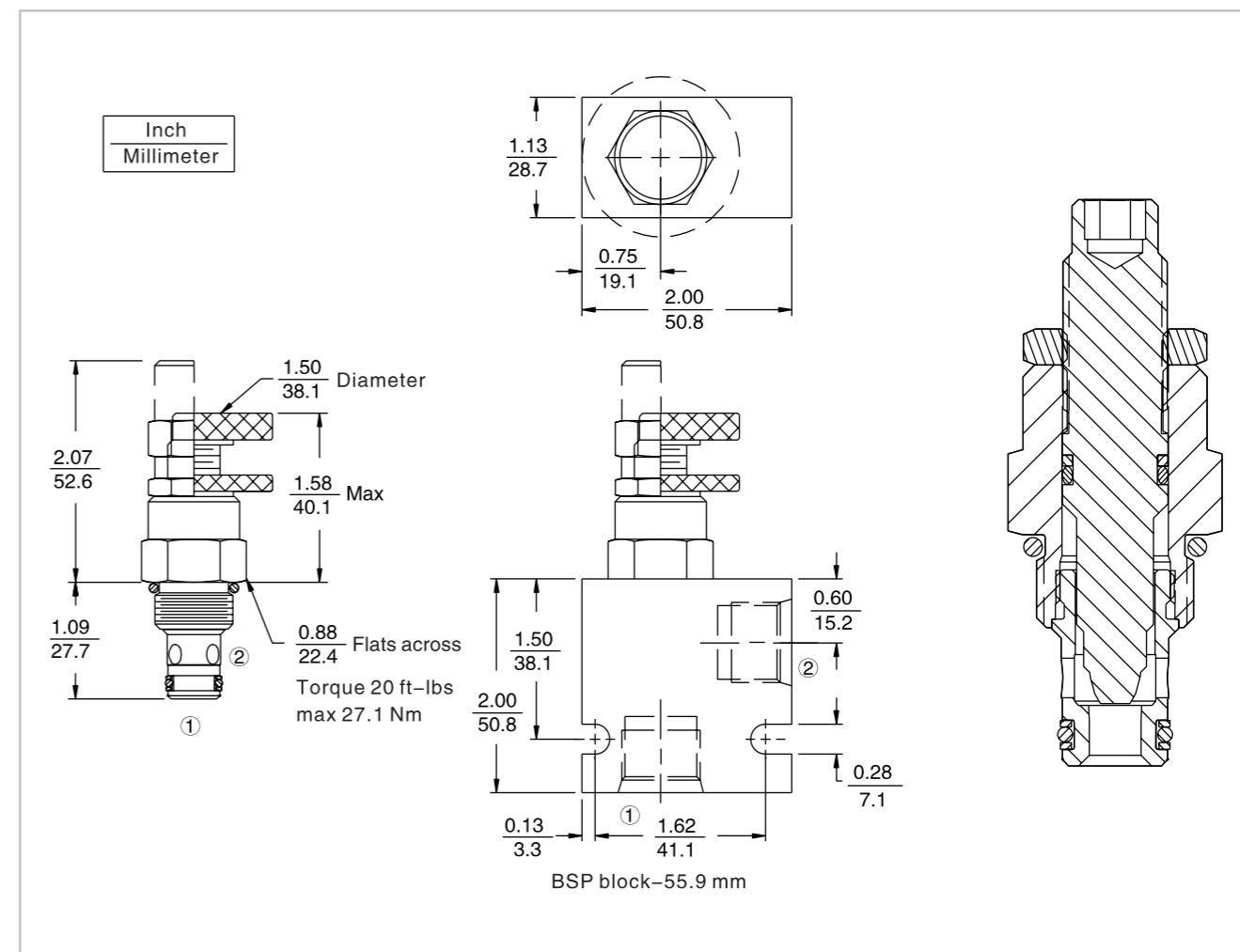
Operating pressure:	240 Bar
Flow:	Fully open 3.5 turns, with a nominal pressure difference of 7 bar and a flow rate of 42 lpm
Internal leakage:	5 Drops/min . max. at 250 bar
Temperature:	(-40°C To +120°C) with NBR material seals
Fluids:	Mineral-based fluids with viscosities of 7.4 to 420 cSt.
Cavity:	HY08-2, see page H.1.2
Body material:	6061-T6 Aluminum alloy rated to 207 bar, steel & ductile iron rated to 350 bar

Code symbol , profile and pressure drop vs.flow



HYNV08-20 (Needle Valve)

External dimensions



Material science and order model

Cartridge: weight: 0.1 kg (0.23 lb);
Steel, the working face is duratected
Surface zine-plated;
NBR material sealing and check ring (standard);

Block: weight :0.16 kg (0.35 lb);
High-strength performance aluminum alloy with anodic oxidation; #6061 T6;
Rated pressure up to 240 bar (3500 psi);
Also available with ductile cast iron and steel material;
Size might be different, please consult factory.

HYNV08-20

Adjustment option	Seals	Porting
1/4 In. hex allen head	N Buna N (std.)	0 Cartridge only
1-1/2 In. dia. alum. knob	V Fluorocarbon	4T SAE 4
Option A w/cover cap		6T SAE 6
Top handle with locking nut		8T SAE 8
Only referring to the top handle		2B 1/4 Inch BSP*
Option C w/lockwire holes		3B 3/8 Inch BSP*
		4B 1/2 Inch BSP*