

# HYNV12-20 (Needle Valve)

## Description

A cartridge-style manually-adjustable needle valve.

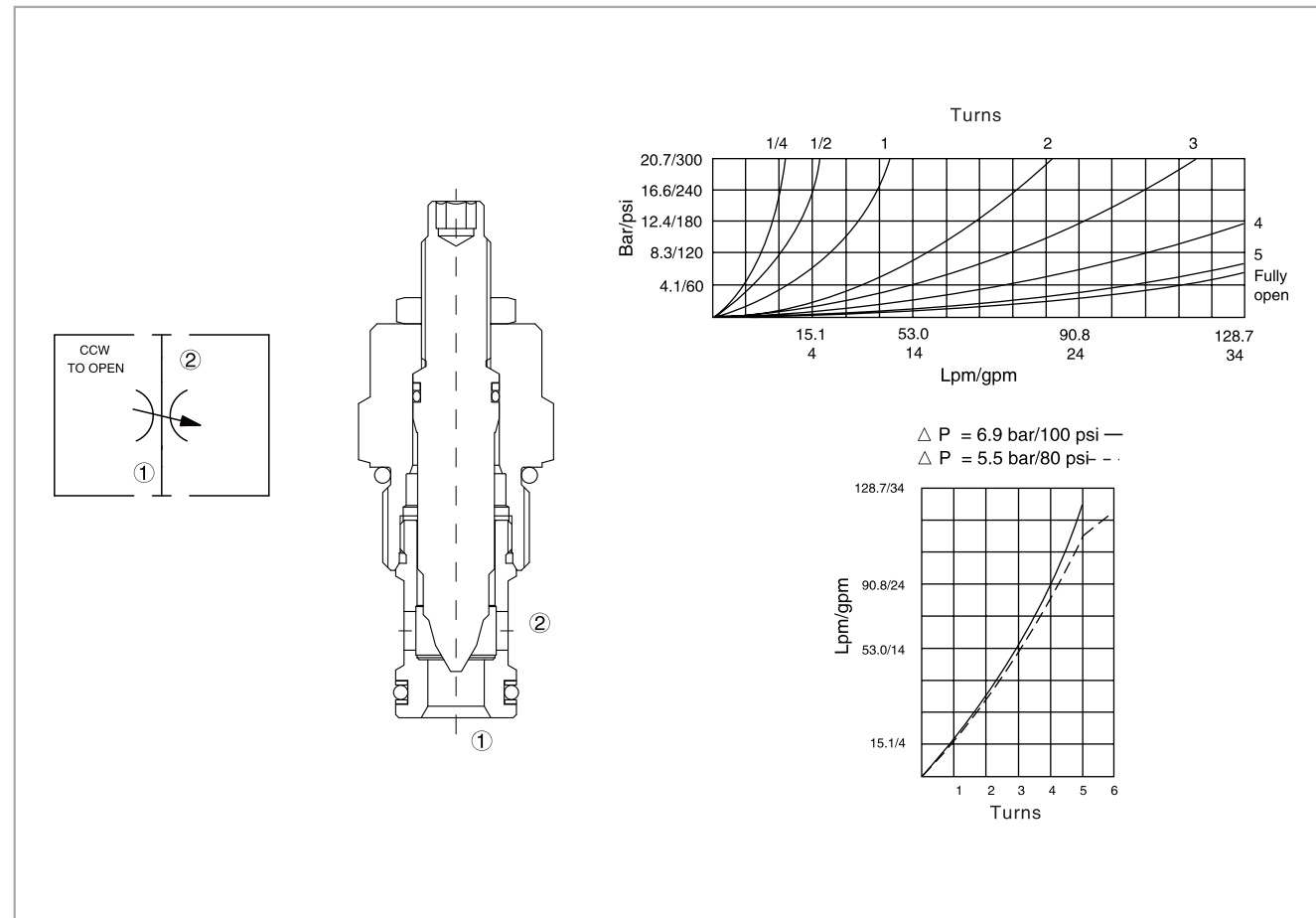
## Operation

The valve varies flow restriction by adjusting needle in or out and will shut off when fully closed. These valves will meter flow in either direction.

## Specifications

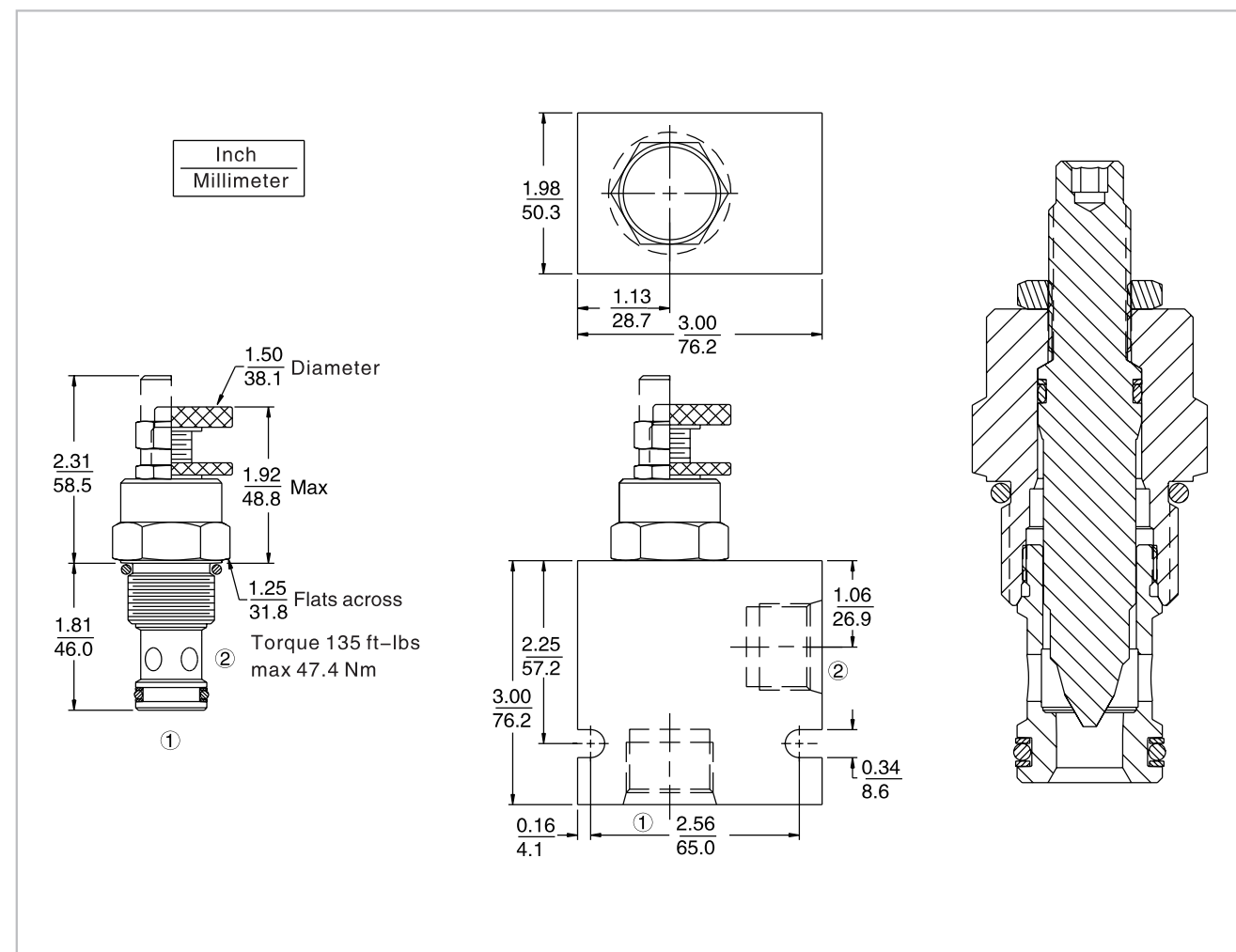
Operating pressure:	240 Bar
Flow:	Fully open 4.5 turns, with a nominal pressure difference of 7 bar and a flow rate of 113.6 lpm
Internal leakage:	3 Drops/min. max. at 250 bar
Temperature:	(-40°C To +120°C) with NBR material seals
Fluids:	Mineral-based fluids with viscosities of 7.4 to 420 cSt.
Cavity:	HY12-2, see page H.1.5
Body material:	6061-T6 Aluminum alloy rated to 207 bar, steel & ductile iron rated to 350 bar

## Code symbol , profile and pressure drop vs.flow



# HYNV12-20 (Needle Valve)

## External dimensions



## Material science and order model

Cartridge: weight: 0.20 kg ( 0.45 lb);  
 Steel, the working face is duratected  
 Surface zine-plated;  
 NBR material sealing and check  
 ring (standard);  
 Block: weight :0.57 kg (1.25 lbs);  
 High-strength performance  
 aluminum alloy with anodic  
 oxidation; #6061 T6;  
 Rated pressure up to 240 bar (3500 psi);  
 Also available with ductile cast iron  
 and steel material;  
 Size might be different, please consult factory.

